



**T&S BRASS AND BRONZE WORKS, INC.**  
 2 Saddleback Cove / P.O. Box 1088  
 Travelers Rest, SC 29690

Model No.  
**HG-4-S Series**

Item No.

Travelers Rest, SC: 800-476-4103 • Simi Valley, CA: 800-423-0150 • Fax: 864-834-3518 • www.tsbrass.com

This Space for Architect/Engineer Approval

Job Name \_\_\_\_\_ Date \_\_\_\_\_

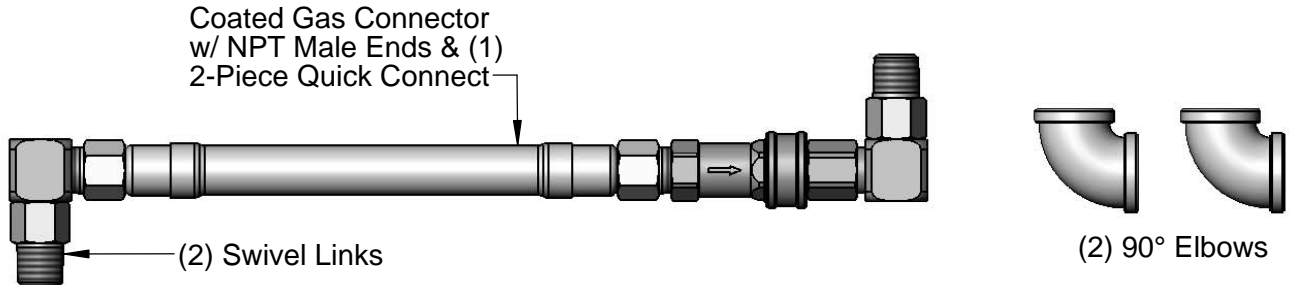
Model Specified \_\_\_\_\_ Quantity \_\_\_\_\_

Customer/Wholesaler \_\_\_\_\_

Contractor \_\_\_\_\_

Architect/Engineer \_\_\_\_\_

# SAFE·T·LINK



"L" = Length	1/2" NPT
12"	HG-4C-12S
24"	HG-4C-24S
36"	HG-4C-36S
48"	HG-4C-48S
60"	HG-4C-60S
72"	HG-4C-72S

"L" = Length	3/4" NPT
12"	HG-4D-12S
24"	HG-4D-24S
36"	HG-4D-36S
48"	HG-4D-48S
60"	HG-4D-60S
72"	HG-4D-72S

"L" = Length	1" NPT
12"	HG-4E-12S
24"	HG-4E-24S
36"	HG-4E-36S
48"	HG-4E-48S
60"	HG-4E-60S
72"	HG-4E-72S

"L" = Length	1 1/4" NPT
12"	HG-4F-12S
24"	HG-4F-24S
36"	HG-4F-36S
48"	HG-4F-48S
60"	HG-4F-60S
72"	HG-4F-72S

**HG-4-S Series Product Configurator: HG - 4  -  S**

Ex: HG - 4  -  S

Gas Hose, 3/4" NPT Male Ends, 36" Length, (1) 2-Piece Quick Disconnect, (2) Swivel Links, (2) 90° Elbows

Product Specifications:

Safe-T-Link Gas Appliance Connector:  
 Coated Hose w/ NPT Male Ends, 2-Piece Quick Disconnect,  
 Swivel Links & 90° Elbows

Drawn:

DHL

Checked:

DMH

Approved:

JHB

Scale:

NTS

Date:

09/27/12



**T&S BRASS AND BRONZE WORKS, INC.**  
 2 Saddleback Cove / P.O. Box 1088  
 Travelers Rest, SC 29690

Model No.  
**HG-4-SK Series**

Item No.

Travelers Rest, SC: 800-476-4103 • Simi Valley, CA: 800-423-0150 • Fax: 864-834-3518 • www.tsbrass.com

This Space for Architect/Engineer Approval

Job Name \_\_\_\_\_ Date \_\_\_\_\_

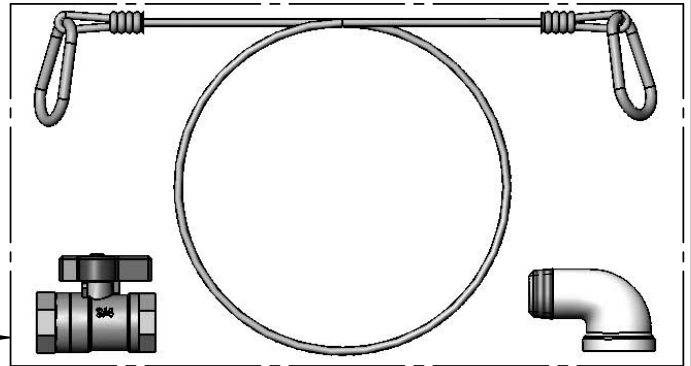
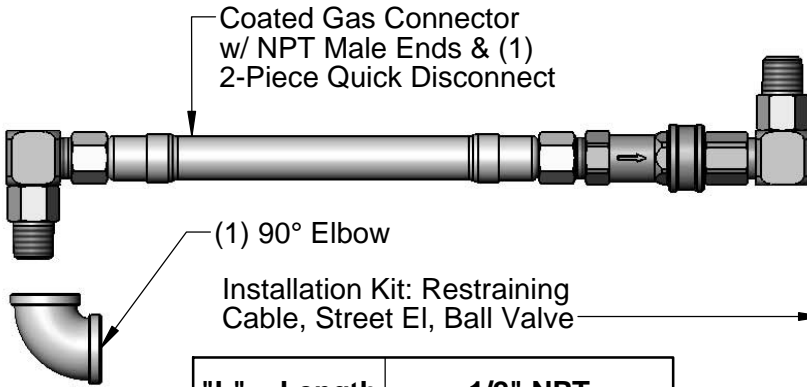
Model Specified \_\_\_\_\_ Quantity \_\_\_\_\_

Customer/Wholesaler \_\_\_\_\_

Contractor \_\_\_\_\_

Architect/Engineer \_\_\_\_\_

# SAFE-T-LINK



"L" = Length	1/2" NPT
12"	HG-4C-12SK
24"	HG-4C-24SK
36"	HG-4C-36SK
48"	HG-4C-48SK
60"	HG-4C-60SK
72"	HG-4C-72SK

"L" = Length	3/4" NPT
12"	HG-4D-12SK
24"	HG-4D-24SK
36"	HG-4D-36SK
48"	HG-4D-48SK
60"	HG-4D-60SK
72"	HG-4D-72SK

"L" = Length	1" NPT
12"	HG-4E-12SK
24"	HG-4E-24SK
36"	HG-4E-36SK
48"	HG-4E-48SK
60"	HG-4E-60SK
72"	HG-4E-72SK

"L" = Length	1 1/4" NPT
12"	HG-4F-12SK
24"	HG-4F-24SK
36"	HG-4F-36SK
48"	HG-4F-48SK
60"	HG-4F-60SK
72"	HG-4F-72SK

**HG-4-SK Series Product Configurator: HG - 4  -  SK**

Ex: HG - 4  -  SK

Gas Hose, 3/4" NPT Male Ends, 36" Length, (1) 2-Piece Quick Disconnect, (1) 90° Elbow, (2) Swivel Links, (1) Installation Kit

Product Specifications:

Safe-T-Link Gas Appliance Connector:  
 Coated Hose w/ NPT Male Ends, Swivel Links, 2-Piece  
 Quick Disconnect, 90° Elbow & Installation Kit

Drawn:

DHL

Checked:

DMH

Approved:

JHB

Scale:

NTS

Date:

09/27/12



**T&S BRASS AND BRONZE WORKS, INC.**  
 2 Saddleback Cove / P.O. Box 1088  
 Travelers Rest, SC 29690

Model No.  
**HG-4-SHP Series**

Item No.

Travelers Rest, SC: 800-476-4103 • Simi Valley, CA: 800-423-0150 • Fax: 864-834-3518 • www.tsbrass.com

This Space for Architect/Engineer Approval

Job Name \_\_\_\_\_ Date \_\_\_\_\_

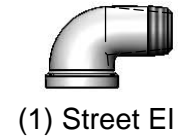
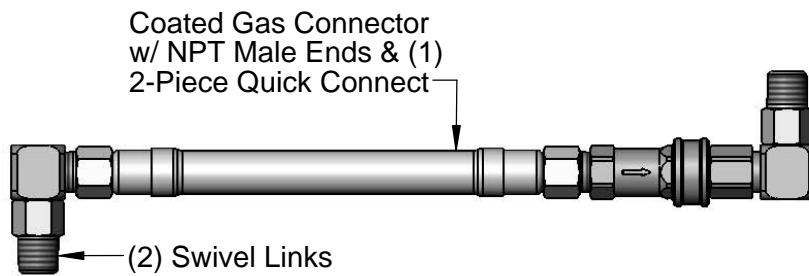
Model Specified \_\_\_\_\_ Quantity \_\_\_\_\_

Customer/Wholesaler \_\_\_\_\_

Contractor \_\_\_\_\_

Architect/Engineer \_\_\_\_\_

# SAFE·T·LINK



"L" = Length	1/2" NPT
48"	HG-4C-48SHP

"L" = Length	3/4" NPT
48"	HG-4D-48SHP

"L" = Length	1" NPT
48"	HG-4E-48SHP

**HG-4-SHP Series Product Configurator: HG - 4  - 48SHP**

Ex: HG - 4  - 48SHP

Gas Hose, 3/4" NPT Male Ends, 48" Length, (1) 2-Piece Quick Disconnect,  
 (2) Swivel Links, (1) 90° Elbow & (1) Street El

Product Specifications:

**Safe-T-Link Gas Appliance Connector:**  
 Coated Hose w/ NPT Male Ends, 2-Piece Quick Disconnect,  
 Swivel Links, 90° Elbow & Street El

Drawn:

DHL

Checked:

DMH

Approved:

JHB

Scale:

NTS

Date:

09/27/12



**T&S BRASS AND BRONZE WORKS, INC.**  
 2 Saddleback Cove / P.O. Box 1088  
 Travelers Rest, SC 29690

Model No.  
**HG-4-S-PS Series**

Item No.

Travelers Rest, SC: 800-476-4103 • Simi Valley, CA: 800-423-0150 • Fax: 864-834-3518 • www.tsbrass.com

This Space for Architect/Engineer Approval

Job Name \_\_\_\_\_ Date \_\_\_\_\_

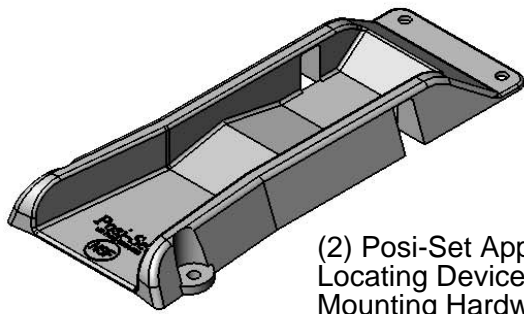
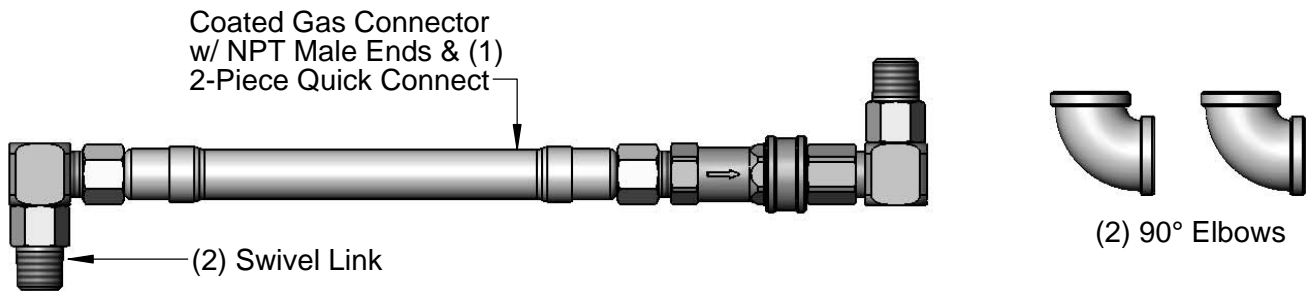
Model Specified \_\_\_\_\_ Quantity \_\_\_\_\_

Customer/Wholesaler \_\_\_\_\_

Contractor \_\_\_\_\_

Architect/Engineer \_\_\_\_\_

# SAFE-T-LINK



"L" = Length	1/2" NPT
48"	HG-4C-48S-PS
60"	HG-4C-60S-PS

"L" = Length	3/4" NPT
36"	HG-4D-36S-PS
48"	HG-4D-48S-PS
60"	HG-4D-60S-PS

**HG-4-S-PS Series Product Configurator: HG - 4  -  S - PS**

Ex: HG - 4  -  S - PS

Gas Hose, 3/4" NPT Male Ends, 36" Length, (1) 2-Piece Quick Disconnect, (2) Swivel Links, (2) 90° Elbow & (2) Posi-Set Appliance Locating Devices

Product Specifications:

Safe-T-Link Gas Appliance Connector:  
 Coated Hose w/ NPT Male Ends, 2-Piece Quick Disconnect,  
 Swivel Links, 90° Elbows & Posi-Set Appliance Locating Devices

Drawn: <b>DHL</b>	Checked <b>DMH</b>	Approved: <b>JHB</b>
Scale: <b>NTS</b>		Date: <b>09/27/12</b>