



T&S BRASS AND BRONZE WORKS, INC.
 2 Saddleback Cove / P.O. Box 1088
 Travelers Rest, SC 29690

Model No.
EC-SMT

Item No.

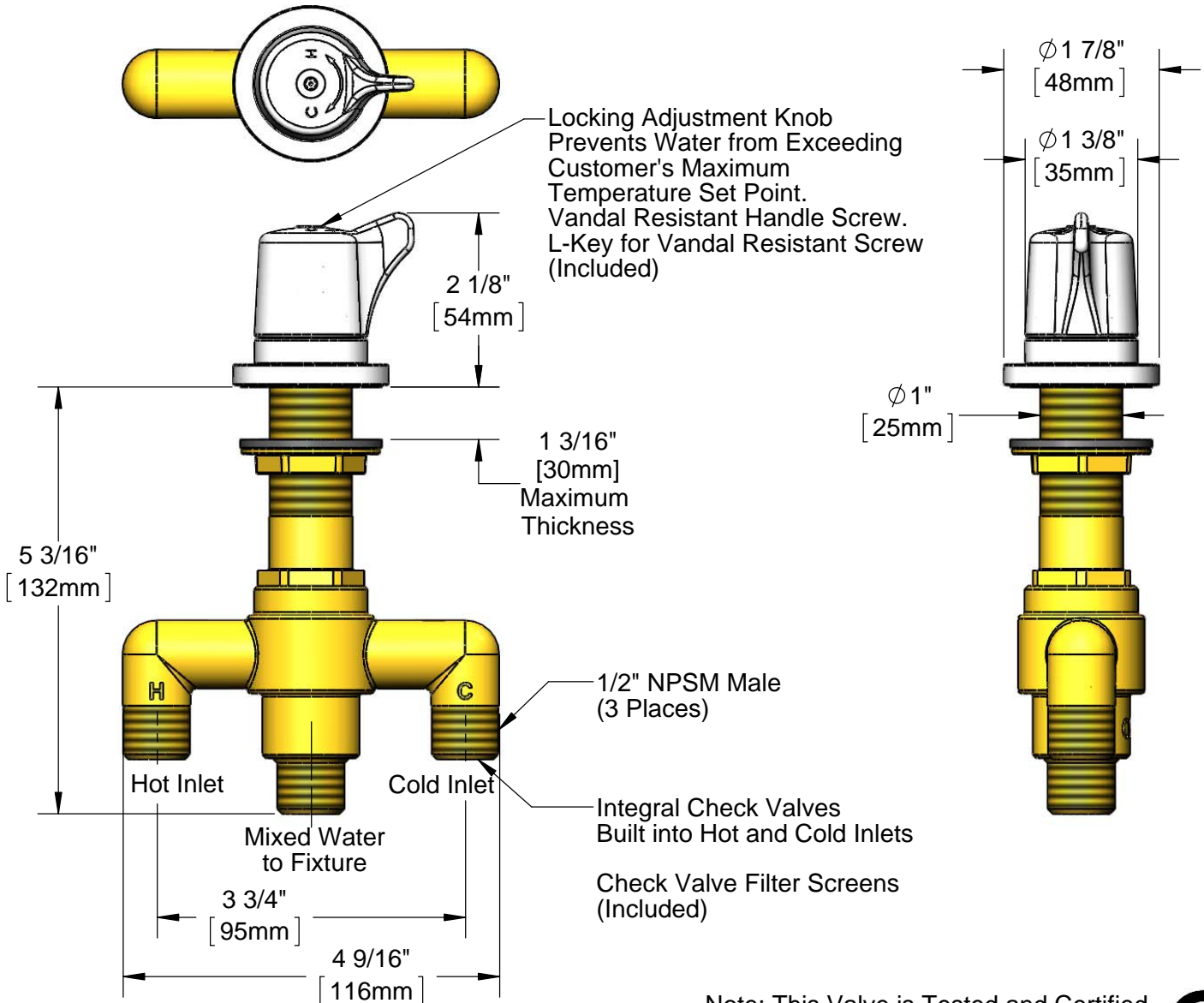
Travelers Rest, SC: 800-476-4103 • Simi Valley, CA: 800-423-0150 • Fax: 864-834-3518 • www.tsbrass.com

This Space for Architect/Engineer Approval

Job Name _____ Date _____
 Model Specified _____ Quantity _____
 Customer/Wholesaler _____
 Contractor _____
 Architect/Engineer _____

Performance Rating

Minimum Flow Rate: 0.5 GPM
 Pressure Drop at Minimum Flow Rate: 0.5 psi
 Maximum Pressure 125 psi
 Hot Water Inlet Temperature Range: 120~180°F (49~82°C)
 Outlet Temperature Range: 80~120°F (27~49°C)
 Outlet Temperature Factory Setting: Approx. 100°F (38°C)



Rough-In Requirement:
 Ø 1" - Ø 1 1/4" [25mm - 32mm] Mounting Hole

Note: This Valve is Tested and Certified
 to ASSE 1070



Product Specifications:
 Above Deck Thermostatic Mixing Valve with 1/2" NPSM Male Fittings

Drawn GEF	Checked DMH	Approved JHB
Scale: 1:2		Date: 11/01/12



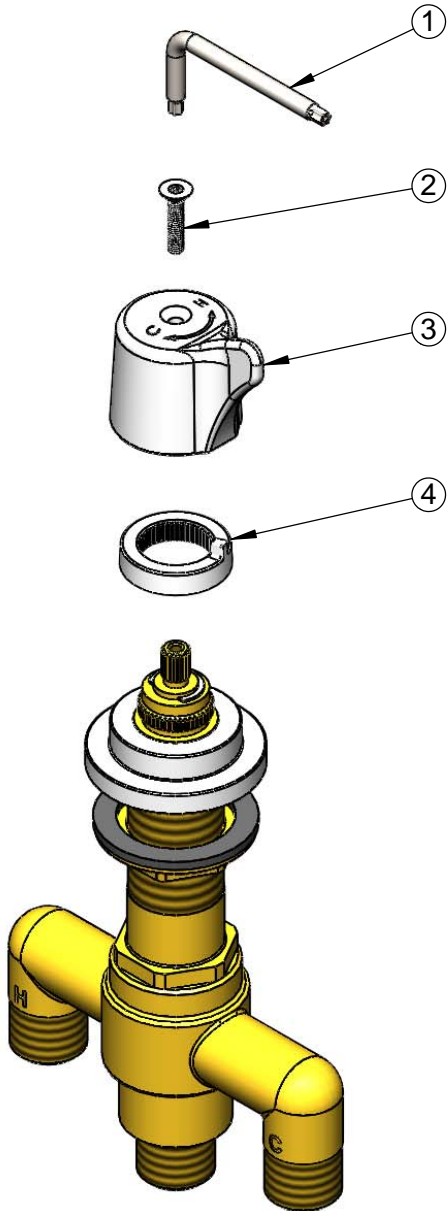
T&S BRASS AND BRONZE WORKS, INC.
 2 Saddleback Cove / P.O. Box 1088
 Travelers Rest, SC 29690

Model No.
EC-SMT

Item No.

Travelers Rest, SC: 800-476-4103 • Simi Valley, CA: 800-423-0150 • Fax: 864-834-3518 • www.tsbrass.com

ITEM NO.	SALES NO.	DESCRIPTION
1	018543-45	Torx T-20 VR L-Key
2	018541-45	M4 x 20mm, SS, Torx VR FH Screw
3	018249-45	Handle
4	018248-45	Temperature Limit Stop



Product Specifications:
 Above Deck Thermostatic Mixing Valve with 1/2" NPSM Male Fittings

Drawn GEF	Checked DMH	Approved JHB
Scale: NTS		Date: 11/01/12