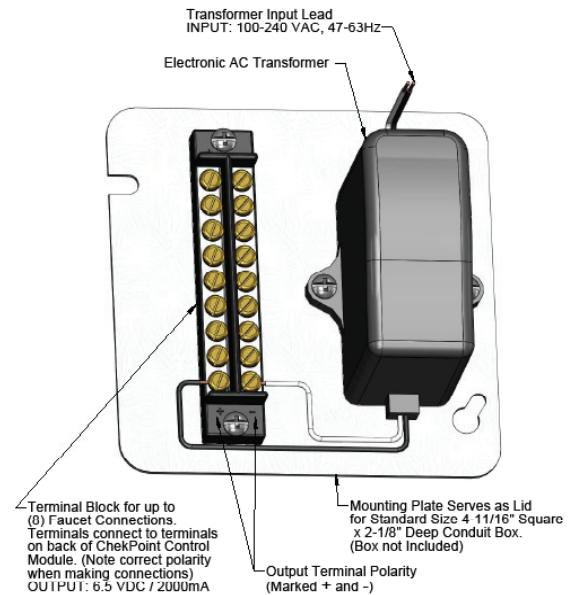


EC-HARDWIRE Installation Instructions

Figure 1



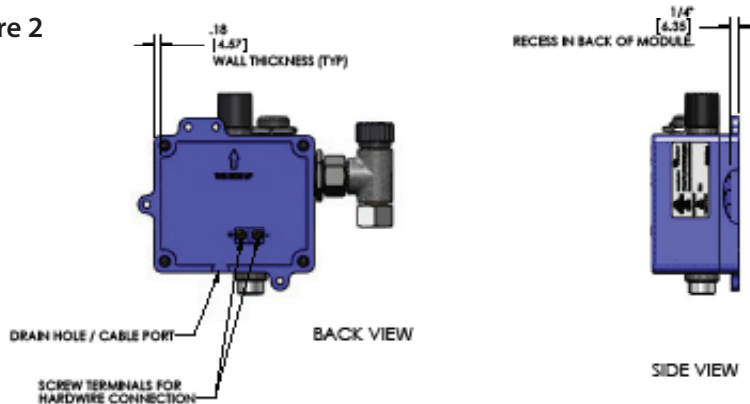
NOTE: Customer is responsible for supplying wiring and installation in accordance with applicable codes.

1. The EC-HARDWIRE kit may be used to hardwire and gang up to 8 of any of the ChekPoint models. The kit consists of the following components assembled on the mounting plate as shown (Figure 1):

- (1) 4-11/16" square mounting plate for assembly to a 2-1/8" deep conduit box (box not included)
- (1) Electronic AC Transformer - Input 100-240 VAC, 47-63HZ
- (1) Terminal block for connections of up to 8 ChekPoint faucet controller connections

2. ChekPoint models with the blue below deck control modules are ready for hardwire installation by utilizing the 2 terminals labeled '+' and '-' on the back of the controller (Figure 2). Each ChekPoint control module is to be wired to one location on the terminal block included in the EC-HARDWIRE kit with the positive terminal on the back of the controller wired to the positive side of the terminal block and the same process for negative terminals. Up to 8 ChekPoint faucet controllers can be wired this way. Be sure all connections are wired with the correct polarity - positive to positive and negative to negative. Wiring is supplied by the customer. It is recommended that the distance between the ChekPoint controllers and EC-HARDWIRE kit be no more than 50 ft. using 24 AWG minimum wire.

Figure 2



3. Above deck electronics ChekPoint faucets (EC-3122, EC-3130 and EC-3132) can also be hardwired. EC-3122 models have wire with a power socket coming from the bottom of the faucet. EC-3130 and EC-3132 models use the auxiliary power connector cable provided with the faucet to connect to the wire socket coming from the bottom of the faucet. Above deck electronic faucets are connected to the EC-HARDWIRE with a EC-ADEWIRE cable assembly (sold separately). The EC-ADEWIRE has a center positive male plug on one end and ring terminals on the other end. The wires with the striped marking should be connected to the EC-HARDWIRE positive terminals in order to maintain correct polarity.

4. The power from the facility is to be connected to the input leads on the transformer. Wiring is supplied by the customer.

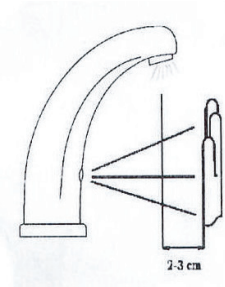
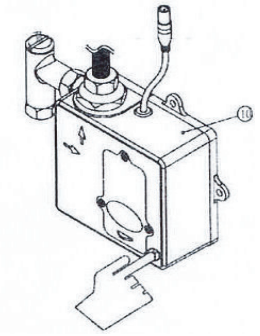
5. Once all wiring connections are complete, the mounting plate with all components can be assembled to an appropriate 4-11/16" x 2-1/8" deep conduit box (not supplied) at the facility with the plate positioned so the components are inside the conduit box.

6. Any faucet controller not wired properly will result in the faucet not operating.

SENSOR RANGE SETUP

Models with blue below deck control modules:

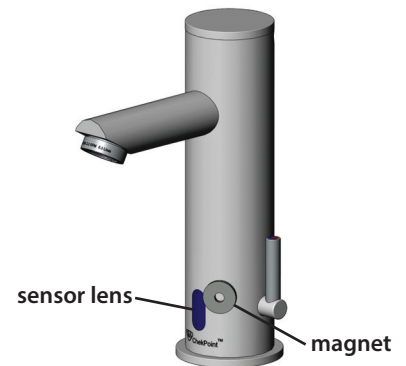
1. AF-serial sensor range can only be set by using the on/off button situated on the bottom right corner of the control box. Do not attempt to open control box.
2. Push and hold the on/off button for 5-7 seconds. Water flow will stop and the red LED light inside the electronic eye will blink on. Release the on/off button. The LED should turn itself off, signaling that the faucet is ready for setup.
3. Place and hold your hand at the desired sensor distance. The LED will turn "ON".
4. Use the other hand to press the on/off button. The LED will flash 5 times to save the new sensor range setting.
5. The default sensor range is 5-1/2" (14cm). Sensing distance is adjustable from 3/4" (2cm) to 5-1/2" (14cm).



EC-3122:

The EC-3122 uses a digital infrared, distance adjustable sensor which has a default range set at 5 1/2" [14mm]. Should this range need to be changed, follow the steps below.

1. Shut off the water at the hot and cold supply stops.
2. Place the magnet provided to the upper right side of the sensor lens and move it closer to the lens.
3. Hold the magnet in place for 3 to 5 seconds. The red sensor LED will come on for set-up mode.
4. Remove the magnet and the sensor LED will go out.
5. Place a hand to the desired sensor range, hold in place and the LED will light up. (The recommended sensor range is 3/8" [1 cm] in front of the spout).
6. Place the magnet to the right side of the sensor lens and move it closer to the lens until it starts blinking 5 times.
7. Remove your hand and magnet from the sensor area.
8. Turn on the water at the hot and cold supply stops.
9. Move a hand into the range set in step 5 which will activate the sensor (the LED will blink once) and water will begin to flow.
10. If after removing your hand from the sensor range, the water continues to flow for longer than 2 seconds, then the sensor range will need to be reset to a shorter distance.

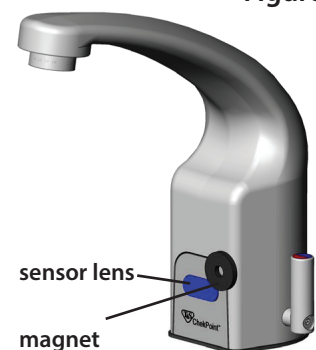


EC-3130 & EC-3132:

The EC-3130 and EC-3132 faucets have an adjustable sensor with a default range of approximately 5 1/4" which is set for hand placement in the water stream. Should this range need to be changed, follow the steps below and refer to Figure 3:

1. Place the magnet provided on the upper right corner of the sensor for 5 seconds. When the magnet is in place the solenoid will open.
2. After 5 seconds when the solenoid closes and the LED turns on, remove the magnet.
3. The LED will turn off indicating the sensor is now in set-up mode. Note: the sensor will remain in set up mode for approximately 15 seconds. Then the LED will flash 3 times before the sensor range returns to its previous setting.
4. While in set-up mode, hold your hand at the desired distance from the sensor for 3 seconds. The LED will blink.
5. After the 3 seconds, the blinking LED will stay on for a few seconds then turn off.
6. When the LED turns off, the new range setting is saved
7. Even if the faucet loses power such as when the battery is replaced, the setting saved above will be kept.

Figure 3



Limited One Year Warranty

T&S warrants to the original purchaser (other than for purposes of resale) that such product is free from defects in material and workmanship for a period of one (1) year from the date of purchase. During this one-year warranty period, if the product is found to be defective, T&S shall, at its options, repair and/or replace it. To obtain warranty service, products must be returned to...

*T&S Brass and Bronze Works, Inc.
Attn: Warranty Repair Department
2 Saddleback Cove
Travelers Rest, SC 29690*

Shipping, freight, insurance, and other transportation charges of the product to T&S and the return of repaired or replaced product to the purchaser are the responsibility of the purchaser. Repair and/or replacement shall be made within a reasonable time after receipt by T&S of the returned product. This warranty does not cover Items which have received secondary finishing or have been altered or modified after purchase, or for defects caused by physical abuse to or misuse of the product, or shipment of the products.

Any express warranty not provided herein, and any remedy for Breach of Contract which might arise, is hereby excluded and disclaimed. Any implied warranties of merchantability or fitness for a particular purpose are limited to one year in duration. Under no circumstances shall T&S be liable for loss of use or any special consequential costs, expenses or damages.

Some states do not allow limitations on how long and implied warranty lasts or the exclusion or limitation of incidental or consequential damages, so the above limitations or exclusions may not apply to you. Specific rights under this warranty and other rights vary from state to state.

T&S Brass and Bronze Works, Inc. · 2 Saddleback Cove · P.O. Box 1088 · Travelers Rest, SC 29690
www.tsbrass.com · E-mail: tsbrass@tsbrass.com · Phone (800) 476-4103 · Fax (800) 868-0084

West Coast Sales and Distribution · 4596 Ish Drive · Unit 220
Simi Valley, CA 93063 · Phone (800) 423-0150

098-017997-45 Rev. 1 12-14
Checked DMH 12-15-14
Approved JHB 12-17-14