



T&S BRASS AND BRONZE WORKS, INC.

2 Saddleback Cove / P.O. Box 1088
Travelers Rest, SC 29690

Model No.

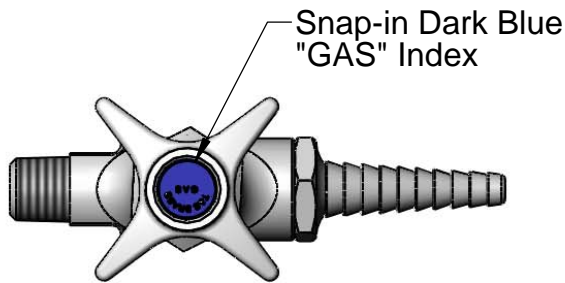
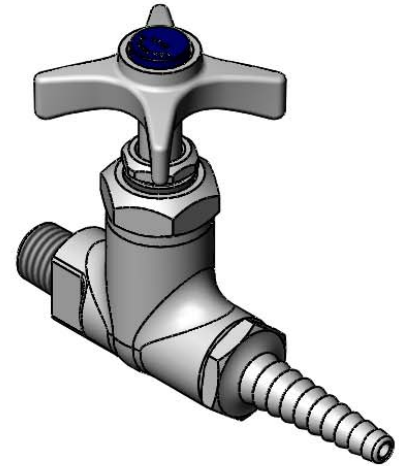
BL-4501-01

Item No.

Travelers Rest, SC: 800-476-4103 • Simi Valley, CA: 800-423-0150 • Fax: 864-834-3518 • www.tsbrass.com

This Space for Architect/Engineer Approval

Job Name _____ Date _____
 Model Specified _____ Quantity _____
 Customer/Wholesaler _____
 Contractor _____
 Architect/Engineer _____

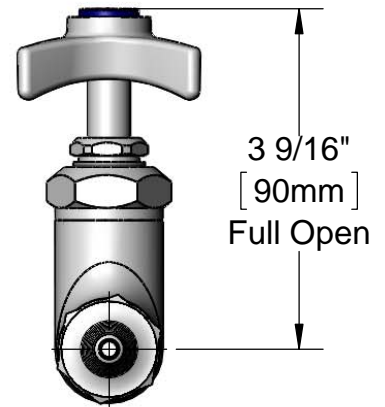
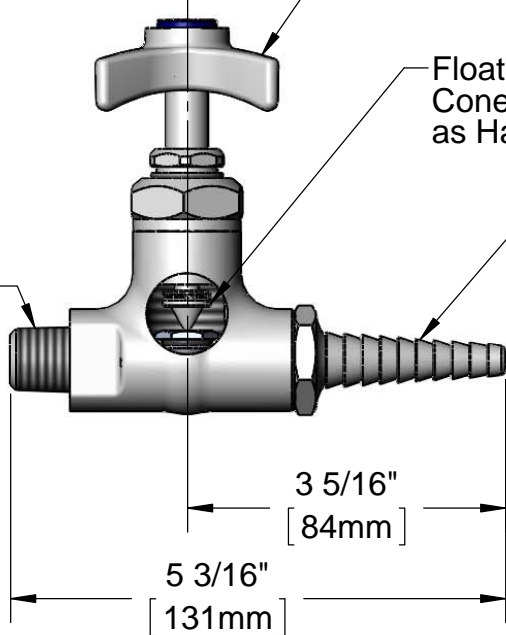


Chrome Plated Brass
4-Arm Handle

Floating Stainless Steel
Cone Regulates Gas Flow
as Handle is Turned

3/8" NPT
Male Inlet

Serrated Tip Accepts
1/4" to 3/8" ID Hoses



Notes:

1. Valve is Grease Free.
2. Maximum Pressure: 125 PSIG
3. Temperature Range: 32°F-125°F

Product Specifications:
Straight Stop w/ Color Coded Index, 3/8" NPT Male Inlet, & Serrated Tip Outlet, Designed for Special Gases

Drawn DMH	Checked JRM	Approved JHB
Scale: 1:2		Date: 05/21/12



T&S BRASS AND BRONZE WORKS, INC.

2 Saddleback Cove / P.O. Box 1088

Travelers Rest, SC 29690

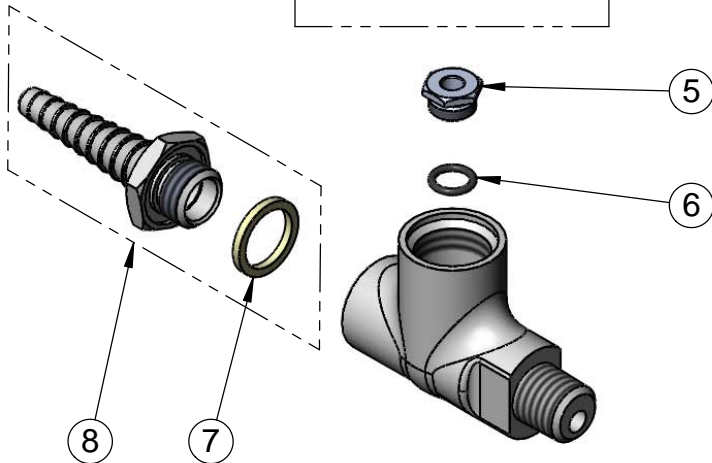
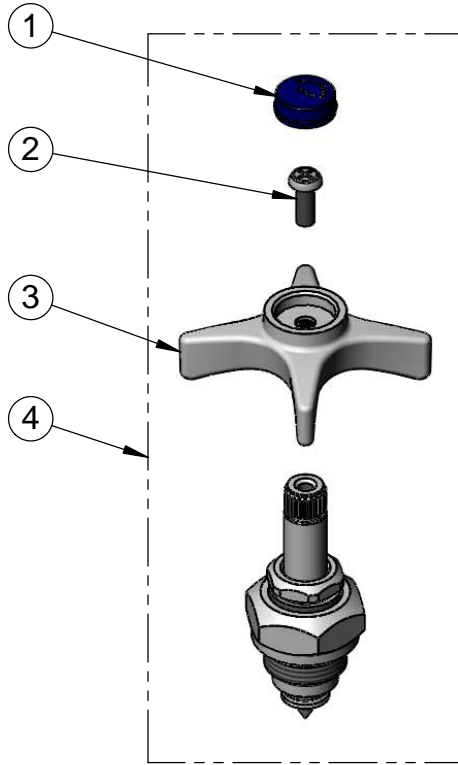
Model No.

BL-4501-01

Item No.

Travelers Rest, SC: 800-476-4103 • Simi Valley, CA: 800-423-0150 • Fax: 864-834-3518 • www.tsbrass.com

ITEM NO.	SALES NO.	DESCRIPTION
1	209L-GAS	Cap, Index, Blue, Gas
2	000925-45	Lab Handle Screw
3	000059-40	4-Arm Lab Handle
4	110ANG	Spindle Assembly, BL-4501-01
5	000529-40	Seat, BL-4500-01
6	006574-45	O-ring, EPDM, -012
7	001051-45	Washer
8	B-0198	Serrated Tip



Product Specifications:
 Straight Stop w/ Color Coded Index, 3/8" NPT Male Inlet, &
 Serrated Tip Outlet, Designed for Special Gases

Drawn DMH	Checked JRM	Approved JHB
Scale: NTS		Date: 05/21/12