

T&S BRASS AND BRONZE WORKS, INC.

2 Saddleback Cove / P.O. Box 1088
Travelers Rest, SC 29690

Model No.

BL-4350-01

Item No.

Travelers Rest, SC: 800-476-4103 • Simi Valley, CA: 800-423-0150 • Fax: 864-834-3518 • www.tsbrass.com

This Space for Architect/Engineer Approval

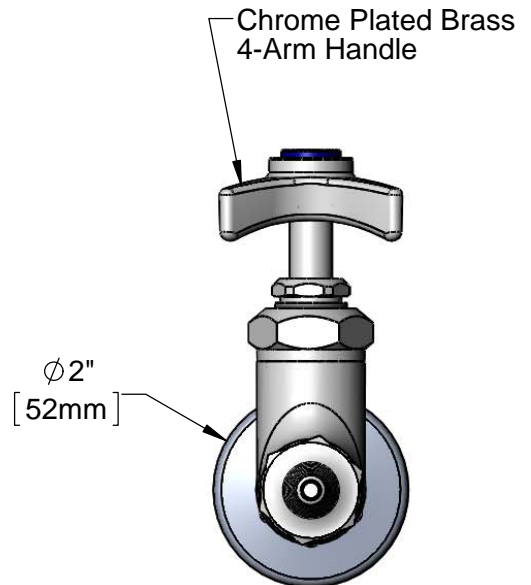
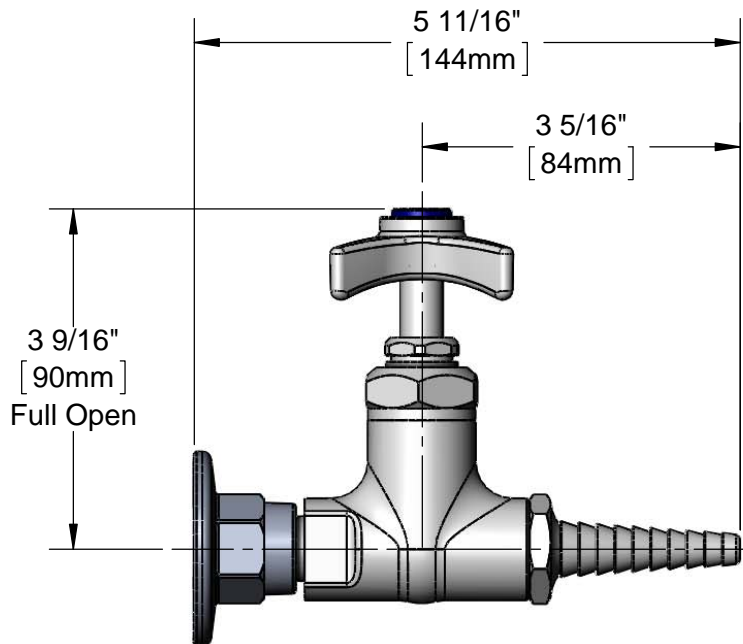
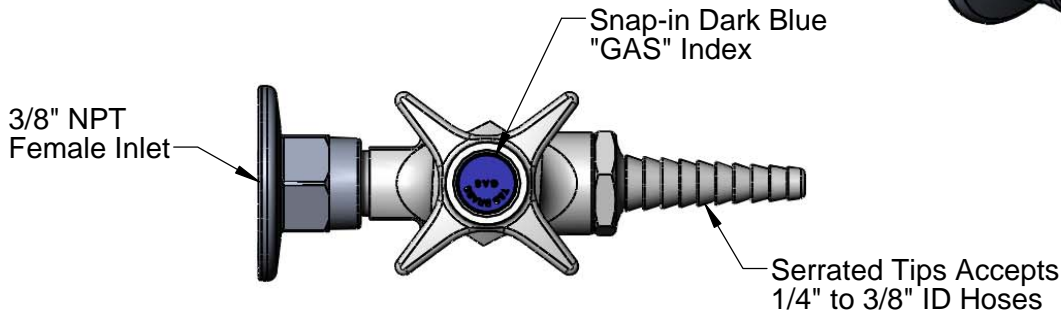
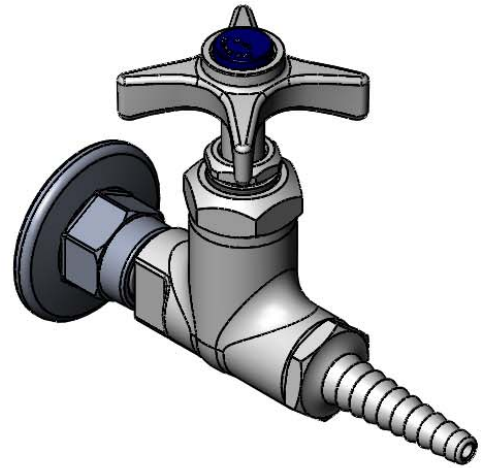
Job Name _____ Date _____

Model Specified _____ Quantity _____

Customer/Wholesaler _____

Contractor _____

Architect/Engineer _____



Notes:

1. Natural Gas Pressure: 0.5 PSIG Max.
2. Air Pressure: 125 PSIG Max.
3. Vacuum: 30 Inches of Mercury Max.
4. Temperature Range: 32°F - 125°F



209L-VAC
Index
Included



209L-AIR
Index
Included

Product Specifications:

Panel Flange w/ Straight Stop,
For Gas, Air, and Vacuum Applications
3/8" NPT Female Inlet, Serrated Tip Outlet

Drawn

DMH

Checked

JRM

Approved

JHB

Scale:

1:2

Date:

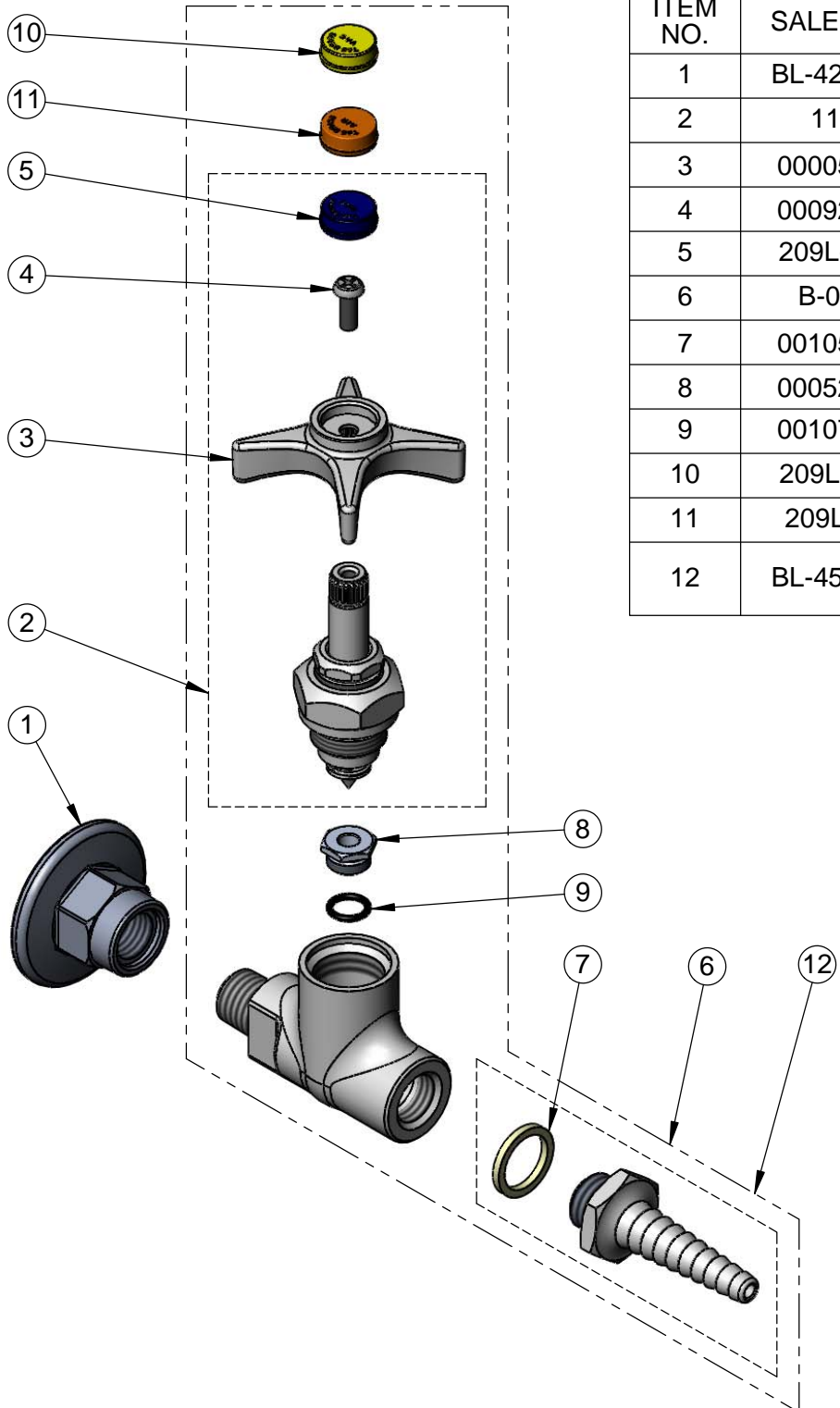
05/21/12



T&S BRASS AND BRONZE WORKS, INC.
 2 Saddleback Cove / P.O. Box 1088
 Travelers Rest, SC 29690

Model No.
BL-4350-01
 Item No.

Travelers Rest, SC: 800-476-4103 • Simi Valley, CA: 800-423-0150 • Fax: 864-834-3518 • www.tsbrass.com



ITEM NO.	SALES NO.	DESCRIPTION
1	BL-4250-03	Flange, 3/8" NPT
2	110A	Spindle Asm., BL-4500-01
3	000059-40	4-Arm Lab Handle
4	000925-45	Lab Handle Screw
5	209L-GAS	Cap, Index, Blue, Gas
6	B-0198	Serrated Tip
7	001051-45	Washer
8	000529-40	Seat, BL-4500-01
9	001070-45	O-ring, Nitrile, -012
10	209L-VAC	Cap, Index, Yellow, Vacuum
11	209L-AIR	Cap, Index, Orange, Air
12	BL-4500-01	Straight Stop w/ Color Coded Indexes

Product Specifications:
 Panel Flange w/ Straight Stop,
 For Gas, Air, and Vacuum Applications
 3/8" NPT Female Inlet, Serrated Tip Outlet

Drawn DMH	Checked JRM	Approved JHB
Scale: NTS		Date: 05/21/12



T&S BRASS AND BRONZE WORKS, INC.

2 Saddleback Cove / P.O. Box 1088
Travelers Rest, SC 29690



REG. #A2601
ISO #9001

Model No.
BL-4355-01

Item No.

Travelers Rest, SC: 800-476-4103 Simi Valley, CA: 800-423-0150 Fax: 864-834-3518 www.tsbrass.com

This Space for Architect/Engineer Approval

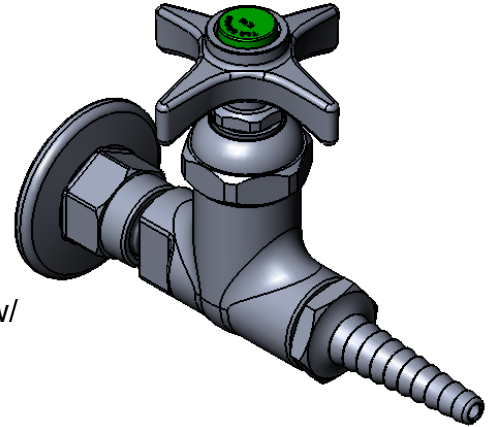
Job Name _____ Date _____

Model Specified _____ Quantity _____

Customer/Wholesaler _____

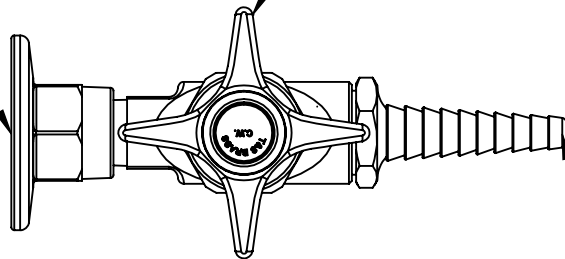
Contractor _____

Architect/Engineer _____

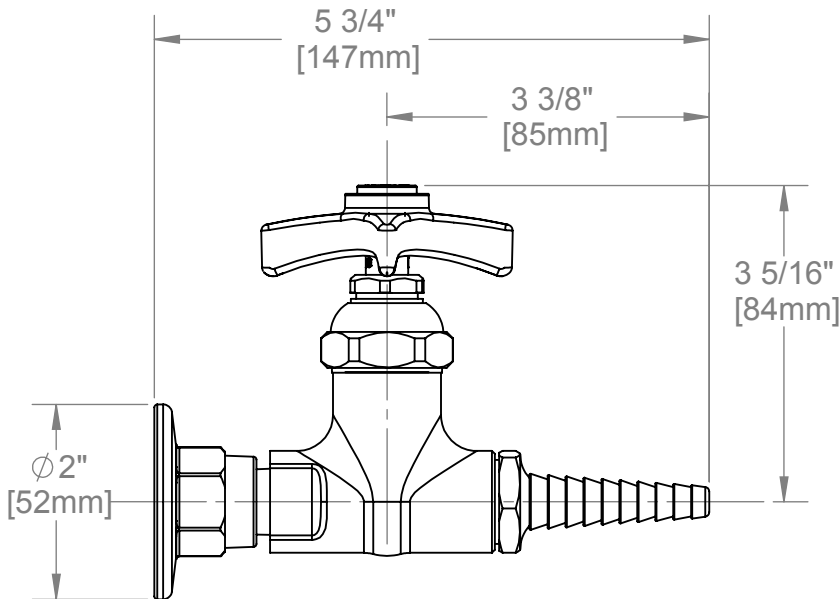


3/8" NPT
Female Inlet

Four Arm Handle w/
Color Coded Index



Removeable
Serrated Tip



Product Specifications:

**Flange w/ Straight Stop for Water,
3/8" NPT Female Inlet, Serrated Tip Outlet**

Drawn
ARH

Checked
GEF

Approved
JHB

Scale:

1:2

Date:

02/04/08



T&S BRASS AND BRONZE WORKS, INC.

2 Saddleback Cove / P.O. Box 1088
Travelers Rest, SC 29690



REG. #A2601
ISO #9001

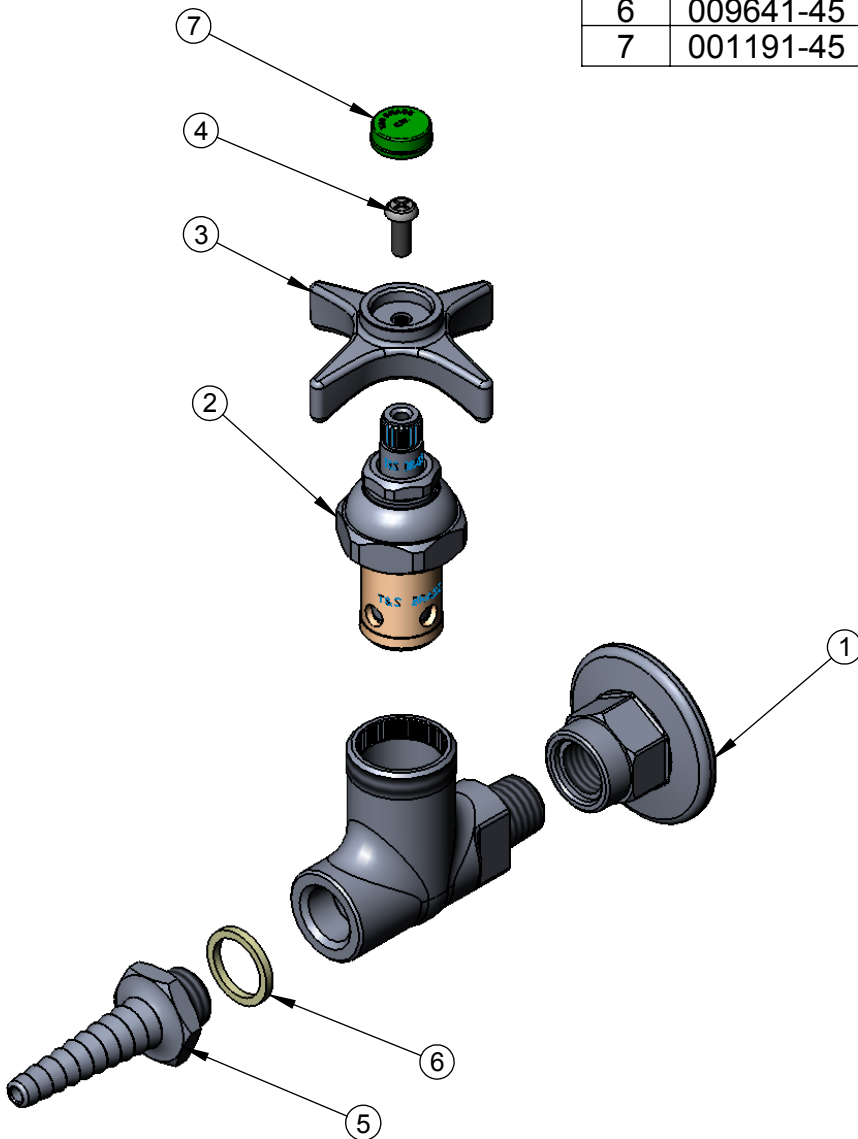
Model No.

BL-4355-01

Item No.

Travelers Rest, SC: 800-476-4103 Simi Valley, CA: 800-423-0150 Fax: 864-834-3518 www.tsbrass.com

ITEM NO.	SALES NO.	DESCRIPTION
1	BL-4250-03	Flange, 3/8" NPT
2	005960-40	Spindle Asm, Eterna "Hot"
3	000059-40	4-Arm Lab Handle
4	000925-45	Lab Handle Screw
5	B-0198	Hose End, Serrated, Brass, PLTD
6	009641-45	Washer, 7/8" OD X 11/16 ID X 3/32 Thick
7	001191-45	Cap, Index, Green, Cold Water



Product Specifications:

Flange w/ Straight Stop for Water,
3/8" NPT Female Inlet, Serrated Tip Outlet

Drawn ARH	Checked GEF	Approved JHB
Scale: 1:2		Date: 02/04/08