



T&S BRASS AND BRONZE WORKS, INC.
 2 Saddleback Cove / P.O. Box 1088
 Travelers Rest, SC 29690

Model No.
BL-4260-01

Item No.

Travelers Rest, SC: 800-476-4103 • Simi Valley, CA: 800-423-0150 • Fax: 864-834-3518 • www.tsbrass.com

This Space for Architect/Engineer Approval

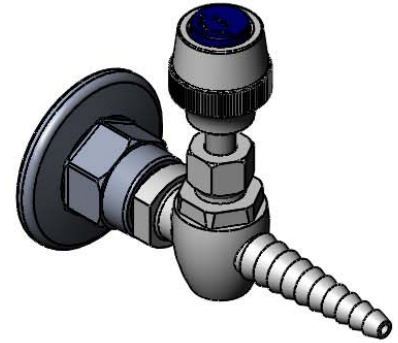
Job Name _____ Date _____

Model Specified _____ Quantity _____

Customer/Wholesaler _____

Contractor _____

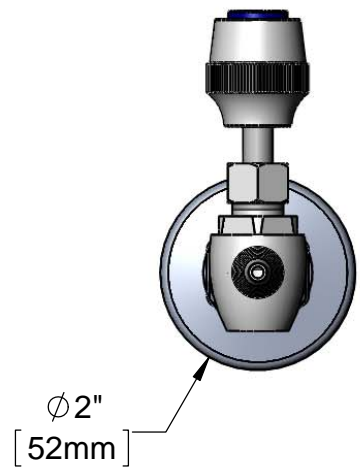
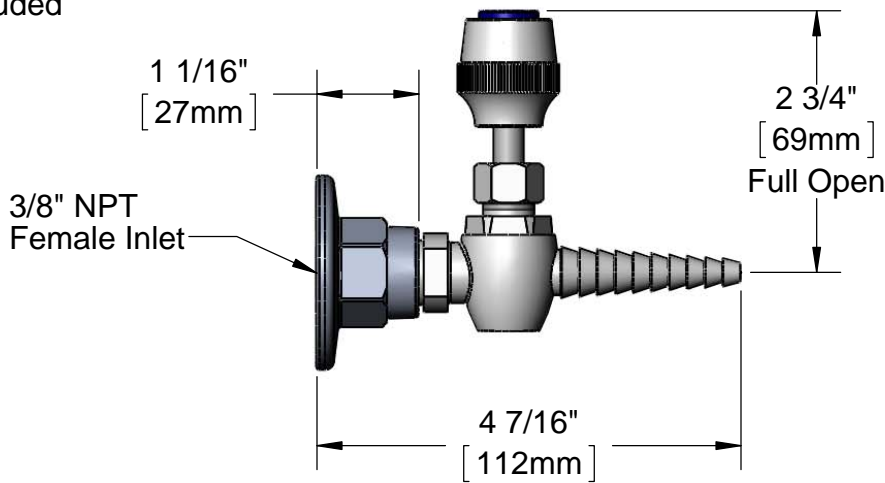
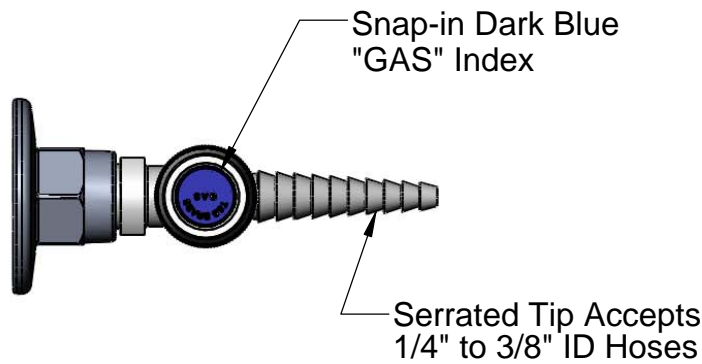
Architect/Engineer _____



209L-VAC
 Index
 Included



209L-AIR
 Index
 Included



Notes:

1. Maximum Rated Pressure is 125 PSIG
2. Special Packing in Valve Suitable for Oxygen, Hydrogen, and Other Special Gases

Product Specifications:
 Laboratory Panel Flange w/ Needle Valve Hose Cock

Drawn DMH	Checked JRM	Approved JHB
Scale: 1:2		Date: 05/21/12



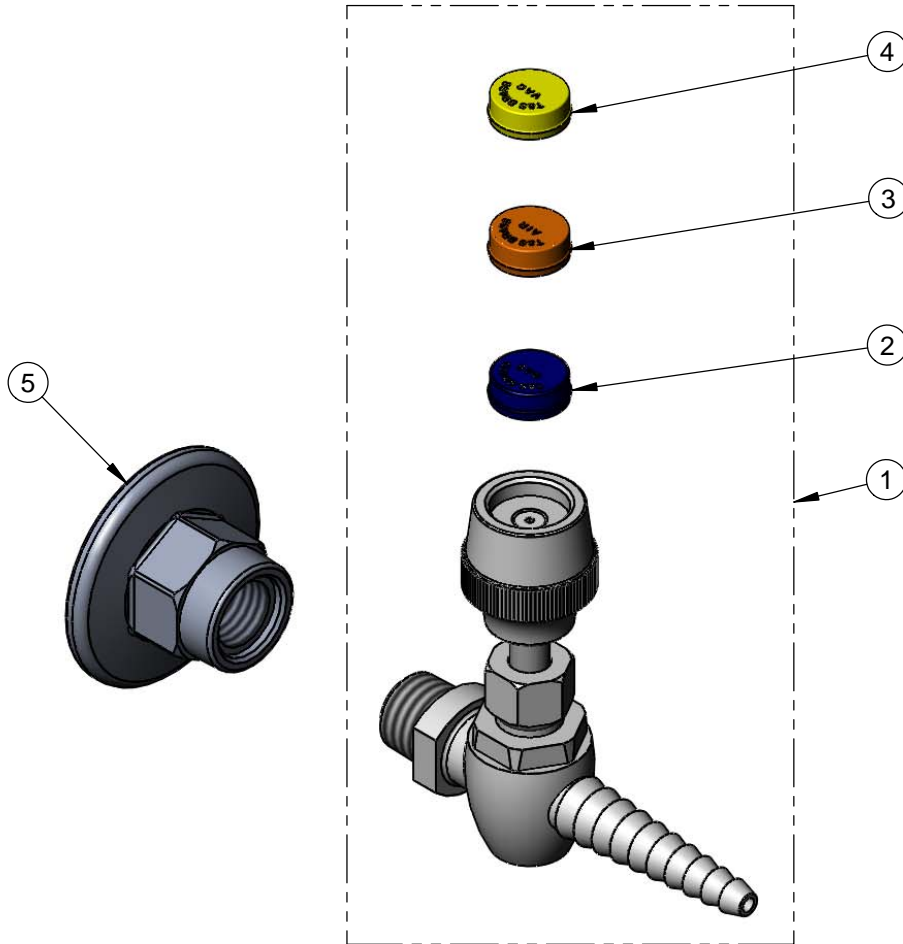
T&S BRASS AND BRONZE WORKS, INC.
 2 Saddleback Cove / P.O. Box 1088
 Travelers Rest, SC 29690

Model No.
BL-4260-01

Item No.

Travelers Rest, SC: 800-476-4103 • Simi Valley, CA: 800-423-0150 • Fax: 864-834-3518 • www.tsbrass.com

ITEM NO.	SALES NO.	DESCRIPTION
1	BL-4010-01	Needle Valve Hose Cock w/ GAS, AIR & VAC Indexes
2	209L-GAS	Cap, Index, Blue, Gas
3	209L-AIR	Cap, Index, Orange, Air
4	209L-VAC	Cap, Index, Yellow, Vacuum
5	BL-4250-03	Flange, 3/8" NPT



Product Specifications:
 Laboratory Panel Flange w/ Needle Valve Hose Cock

Drawn DMH	Checked JRM	Approved JHB
Scale: NTS		Date: 05/21/12