



**T&S BRASS AND BRONZE WORKS, INC.**

2 SADDLEBACK COVE / P.O. BOX 1088 / TRAVELERS REST, SC 29690

PHONE 800-476-4103

FAX 864-834-3518



REG.#A2601  
ISO #9001

Model No.

B-2501

Item No.:

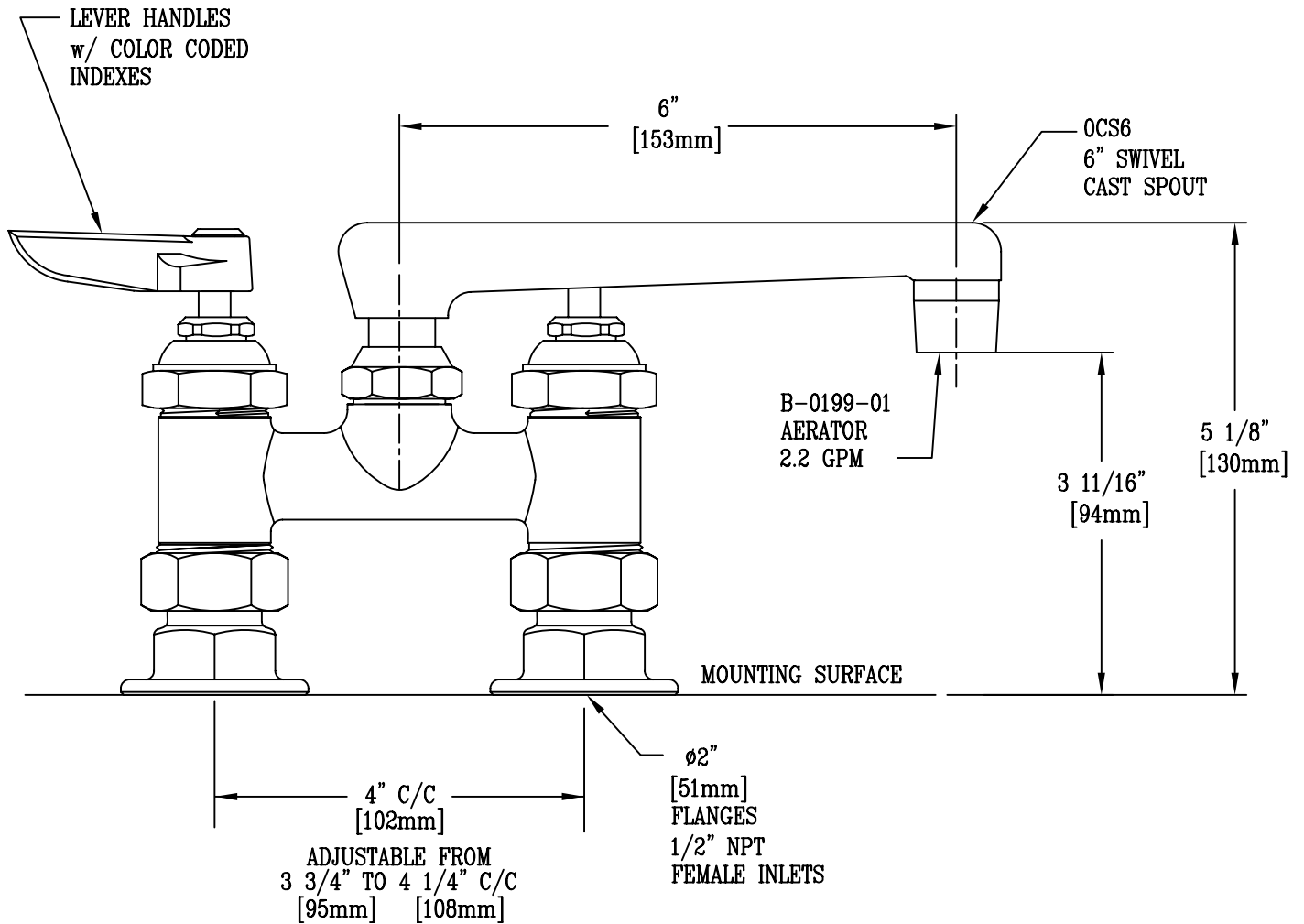
Job Name:

Architect/Engineer Approval:

Notes:



ADA COMPLIANT



Product Description:

4" c/c DECK MOUNT FAUCET w/  
OCS6 6" CAST SPOUT, LEVER HANDLES  
& 1/2" NPT FEMALE INLETS

Drawn:

KJG

Checked

GEF

Scale:

1:2

Approved

JHB

Date:

07/17/08



**T&S BRASS AND BRONZE WORKS, INC.**

2 Saddleback Cove / P.O. Box 1088  
Travelers Rest, SC 29690

Model No.

**B-2501-CR**

Item No.

Travelers Rest, SC: 800-476-4103 • Simi Valley, CA: 800-423-0150 • Fax: 864-834-3518 • www.tsbrass.com



**ADA Compliant**

This Space for Architect/Engineer Approval

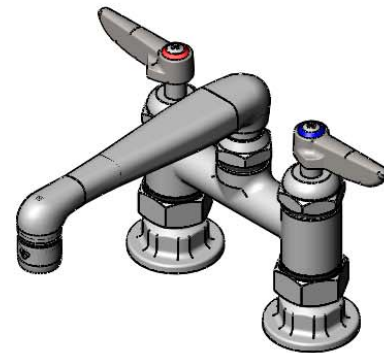
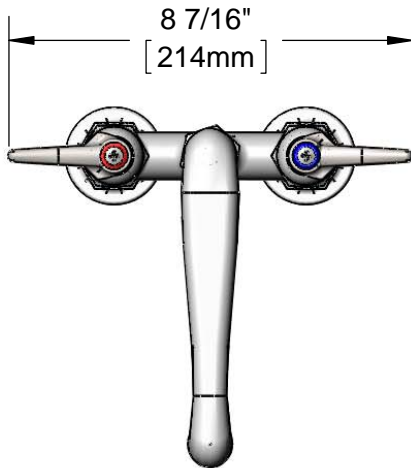
Job Name \_\_\_\_\_ Date \_\_\_\_\_

Model Specified \_\_\_\_\_ Quantity \_\_\_\_\_

Customer/Wholesaler \_\_\_\_\_

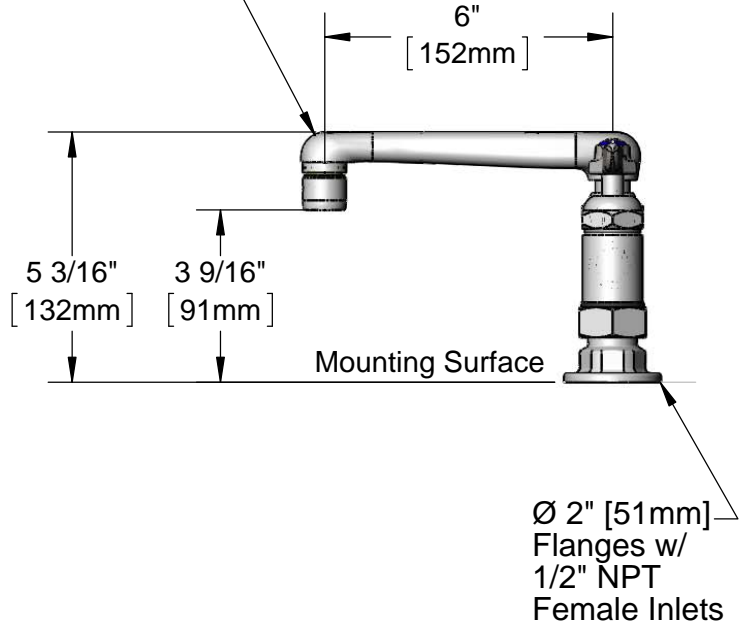
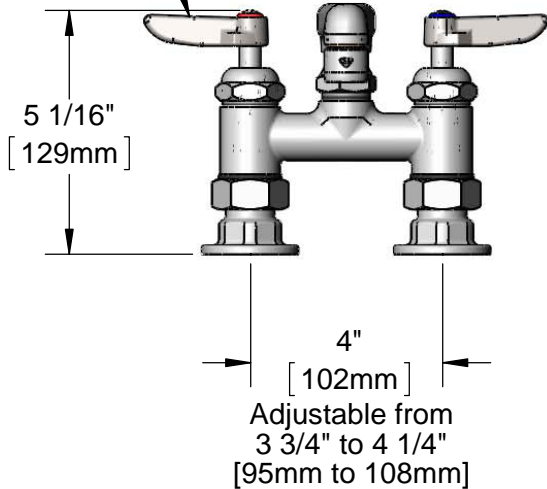
Contractor \_\_\_\_\_

Architect/Engineer \_\_\_\_\_



Cerama Cartridges  
& Lever Handles w/  
Color Coded Indexes

6" Swivel Cast Spout  
w/ 2.2 GPM Aerator



Product Specifications:

4" Deck Mount Mixing Faucet, Cerama Cartridges, Lever Handles,  
6" Cast Spout & 1/2" NPT Female Inlets

Drawn

**DHL**

Checked

**DMH**

Approved

**JHB**

Scale:

**1:8**

Date:

**05/22/13**



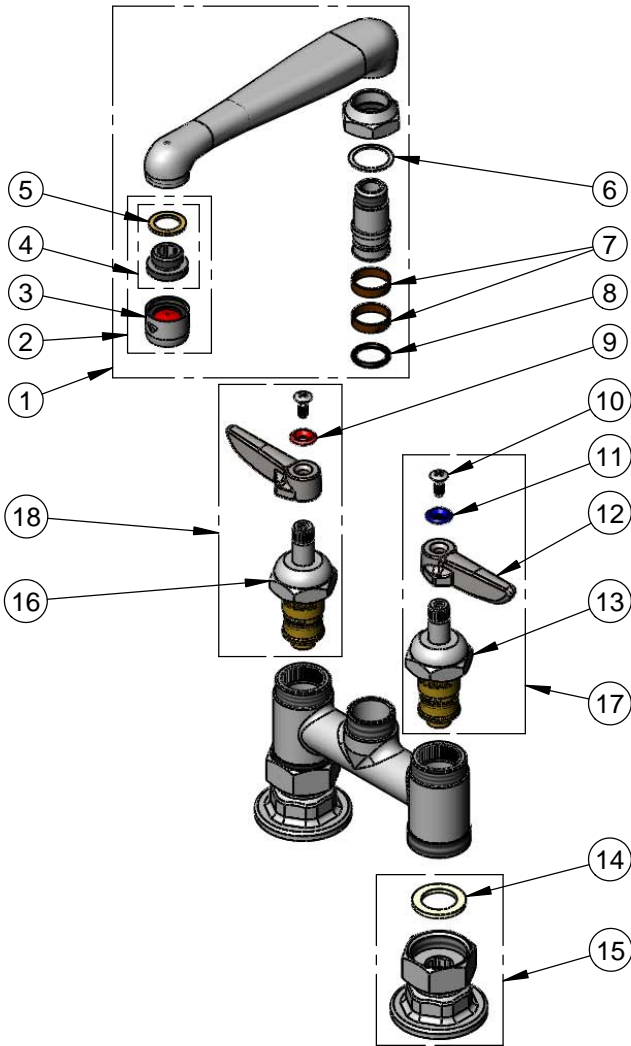
**T&S BRASS AND BRONZE WORKS, INC.**  
 2 Saddleback Cove / P.O. Box 1088  
 Travelers Rest, SC 29690

Model No.  
**B-2501-CR**

Item No.

Travelers Rest, SC: 800-476-4103 • Simi Valley, CA: 800-423-0150 • Fax: 864-834-3518 • www.tsbrass.com

ITEM NO.	SALES NO.	DESCRIPTION
1	0CS6	6" Swivel Cast Spout w/ 2.2 GPM Aerator
2	B-0199-02	2.2 GPM Aerator, 3/8" NPSM Male
3	B-0199-01	2.2 GPM Aerator, 55/64"-27 UN Female
4	044A	3/8" to Aerator Adapter w/ Washer
5	001043-45	Washer
6	009E	Plastic Washer
7	011429-45	Swivel Sleeves (2)
8	001074-45	O-Ring
9	001661-45	Red Index-HW
10	000922-45	Lever Handle Screw
11	001660-45	Blue Index-CW
12	001638-45	Lever Handle
13	011279-25	Cerama Cartridge, LTC
14	001019-45	Coupling Nut Washer
15	00AA	1/2" NPT Female Eccentric Flange
16	011278-25	Cerama Cartridge, RTC
17	012445-25	Cerama Cartridge, LTC w/ Handle, Index & Screw
18	012444-25	Cerama Cartridge, RTC w/ Handle, Index & Screw



Product Specifications:  
 4" Deck Mount Mixing Faucet, Cerama Cartridges, Lever Handles,  
 6" Cast Spout & 1/2" NPT Female Inlets

Drawn <b>DHL</b>	Checked <b>DMH</b>	Approved <b>JHB</b>
Scale: <b>NTS</b>		Date: <b>05/22/13</b>