



T&S BRASS AND BRONZE WORKS, INC.

2 Saddleback Cove / P.O. Box 1088
Travelers Rest, SC 29690

Model No.

B-2360-04

Item No.

Travelers Rest, SC: 800-476-4103 • Simi Valley, CA: 800-423-0150 • Fax: 864-834-3518 • www.tsbrass.com

This Space for Architect/Engineer Approval

Job Name _____ Date _____

Model Specified _____ Quantity _____

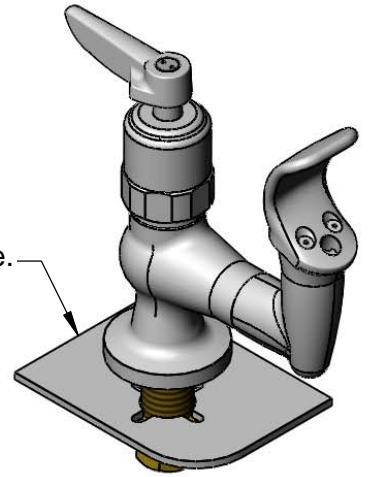
Customer/Wholesaler _____

Contractor _____

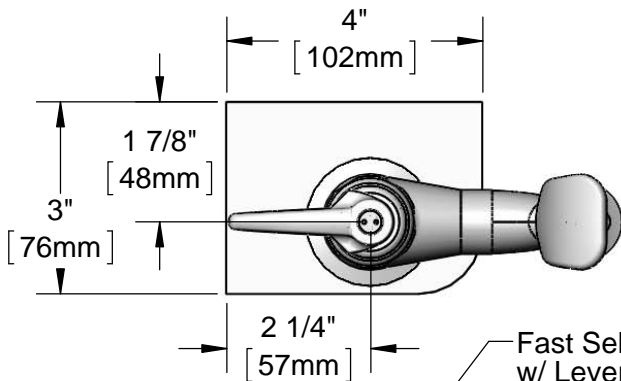
Architect/Engineer _____



ADA Compliant

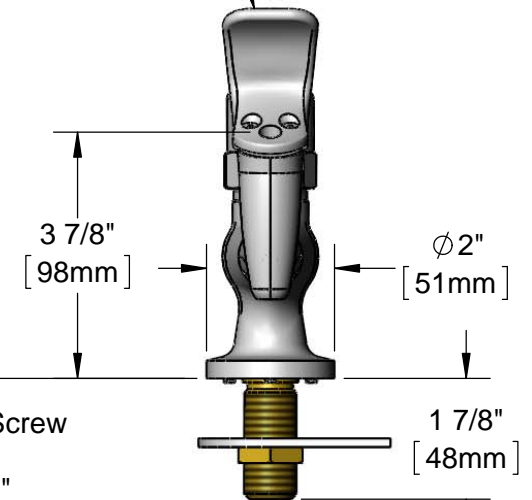
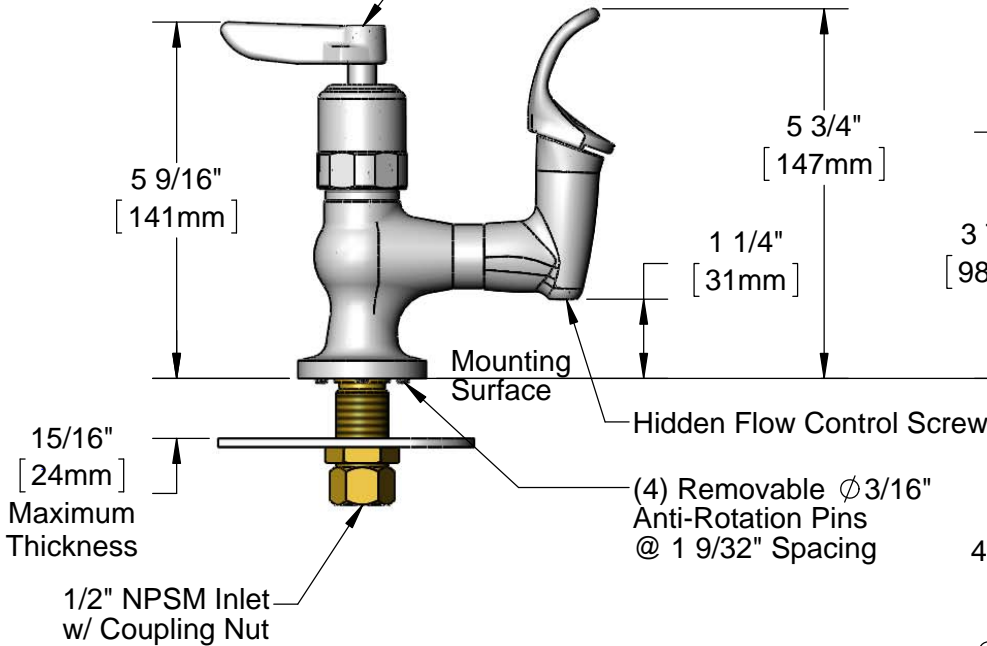


Stainless Steel Backing Plate.
Notches Align w/
(4) Anti-Rotation Pins



Fast Self-Closing Cartridge
w/ Lever Handle &
Vandal Resistant Screw
(Spanner Bit Included)

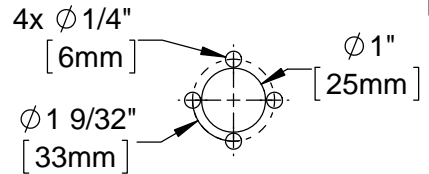
Forged Brass
Mouth Guard



15/16"
[24mm]
Maximum
Thickness

1/2" NPSM Inlet
w/ Coupling Nut

(4) Removable $\phi 3/16"$
Anti-Rotation Pins
@ $1 9/32"$ Spacing



Mounting Hole
Details

Product Specifications:

Bubbler w/ Fast Self-Closing Cartridge, Lever Handle,
Forged Brass Mount Guard, Stainless Steel Backing Plate &
1/2" NPSM Inlet w/ Coupling Nut

Drawn

DMH

Checked

DHL

Approved

JHB

Scale:

1:3

Date:

12/13/12

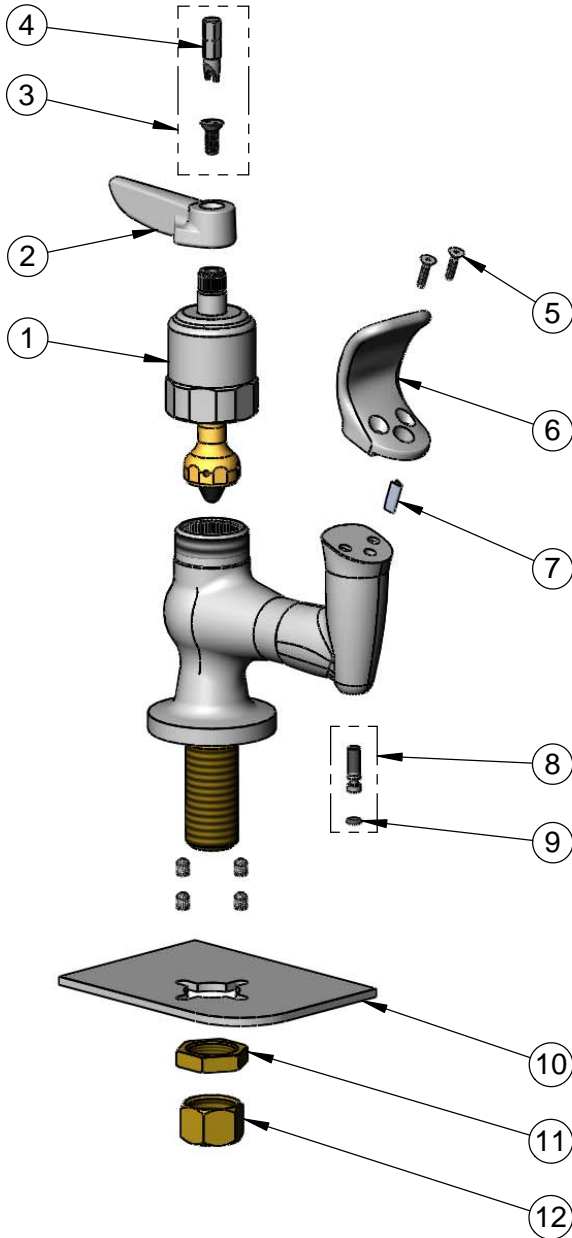


T&S BRASS AND BRONZE WORKS, INC.
 2 Saddleback Cove / P.O. Box 1088
 Travelers Rest, SC 29690

Model No.
B-2360-04

Item No.

Travelers Rest, SC: 800-476-4103 • Simi Valley, CA: 800-423-0150 • Fax: 864-834-3518 • www.tsbrass.com



ITEM NO.	SALES NO.	DESCRIPTION
1	015317-40	Fast Self-Close Cartridge
2	001638-45	Lever Handle
3	VRS-1	VR Screw w/ Spanner Bit
4	014075-45	#10 Spanner Bit
5	009598-45	Mouth Guard Screw
6	011299-40	Forged Brass Mouth Guard
7	009594-45	Flow Straightener
8	012697-45	Flow Control Screw
9	015319-45	O-Ring
10	013355-45	Stainless Steel Backing Plate
11	002954-45	Shank Lock Nut
12	000958-20	Coupling Nut

Product Specifications:
 Bubbler w/ Fast Self-Closing Cartridge, Lever Handle,
 Forged Brass Mount Guard, Stainless Steel Backing Plate &
 1/2" NPSM Inlet w/ Coupling Nut

Drawn DMH	Checked DHL	Approved JHB
Scale: NTS		Date: 12/13/12