



T&S BRASS AND BRONZE WORKS, INC.
 2 Saddleback Cove / P.O. Box 1088
 Travelers Rest, SC 29690

Model No.
B-2360-01-PA

Item No.

Travelers Rest, SC: 800-476-4103 • Simi Valley, CA: 800-423-0150 • Fax: 864-834-3518 • www.tsbrass.com

This Space for Architect/Engineer Approval

Job Name _____ Date _____

Model Specified _____ Quantity _____

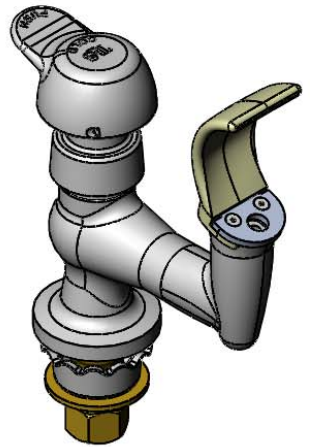
Customer/Wholesaler _____

Contractor _____

Architect/Engineer _____

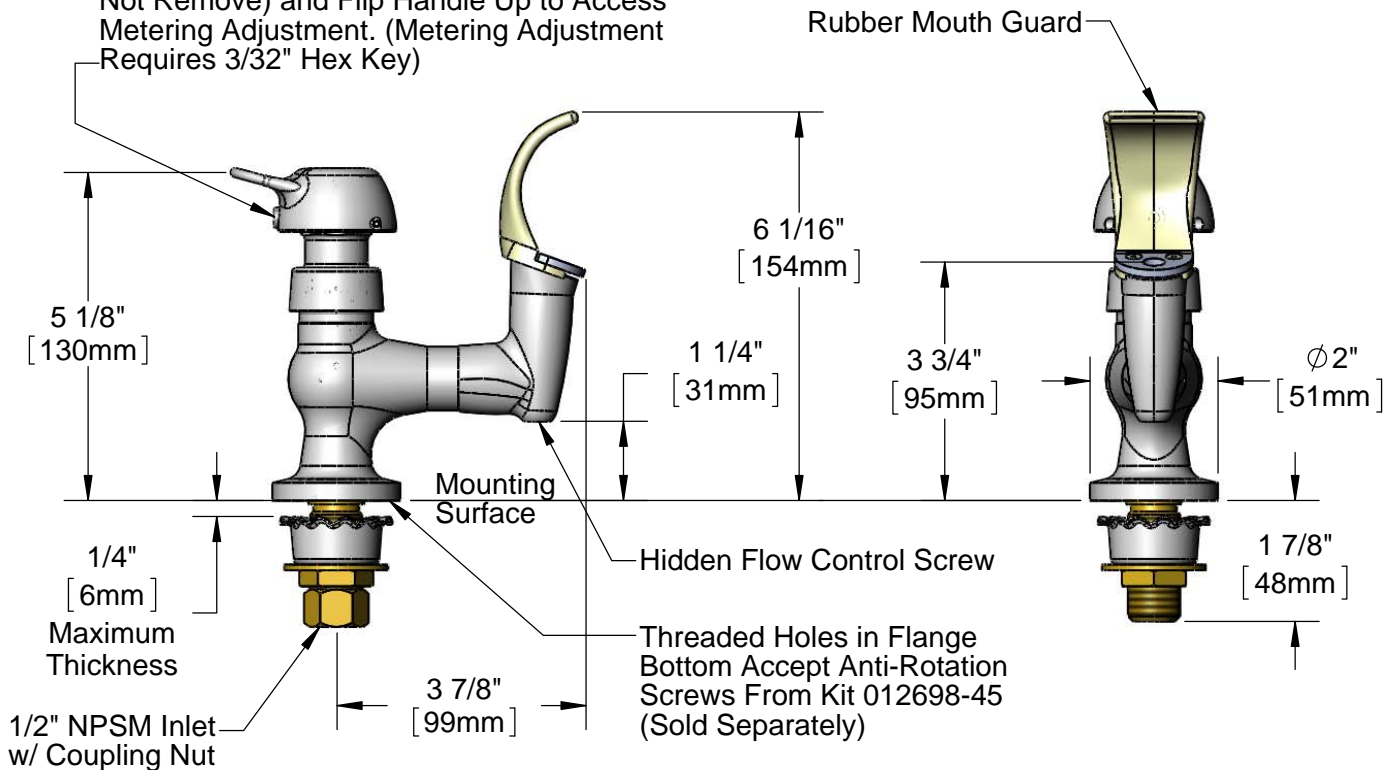


ADA Compliant



Furnished w/ Spanner Bit for Vandal Resistant Screw.

Vandal Resistant Screw. Loosen Screw (Do Not Remove) and Flip Handle Up to Access Metering Adjustment. (Metering Adjustment Requires 3/32" Hex Key)



Rough-In Requirement:
 Ø1" [25mm] Mounting Hole

Product Specifications:
 Bubbler w/ Rubber Mouth Guard, Pivot Action Metering Cartridge w/ "Cold" Handle & 1/2" NPSM Inlet w/ Coupling Nut

| | | |
|----------------------|-----------------------|--------------------------|
| Drawn DMH | Checked DHL | Approved JHB |
| Scale: 1:3 | | Date: 12/13/12 |



T&S BRASS AND BRONZE WORKS, INC.

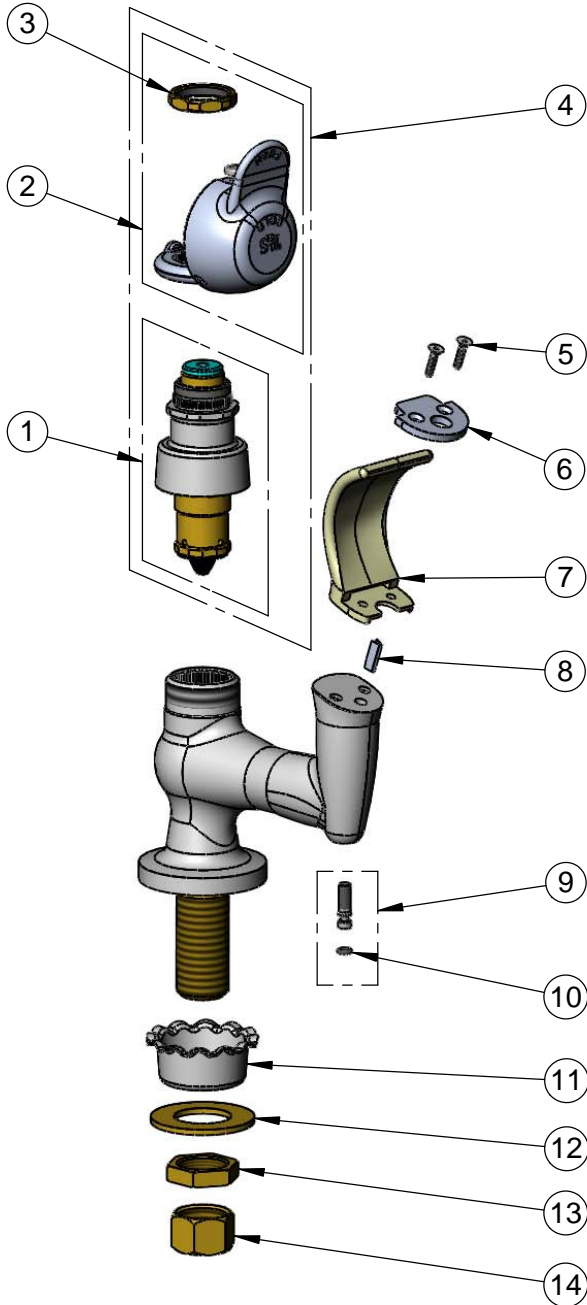
2 Saddleback Cove / P.O. Box 1088
Travelers Rest, SC 29690

Model No.

B-2360-01-PA

Item No.

Travelers Rest, SC: 800-476-4103 • Simi Valley, CA: 800-423-0150 • Fax: 864-834-3518 • www.tsbrass.com



| ITEM NO. | SALES NO. | DESCRIPTION |
|----------|-----------|--|
| 1 | 238A-PA | Pivot Action Metering Cartridge w/ Retaining Nut |
| 2 | PA-C | Cold Pivot Action Handle w/ Retaining Nut & Spanner Bit |
| 3 | PA-N | Retaining Nut |
| 4 | 238AC-PA | Pivot Action Metering Cartridge w/ Cold Pivot Action Handle, Retaining Nut & Spanner Bit |
| 5 | 009598-45 | Mouth Guard Screw |
| 6 | 009596-40 | Mouth Guard Holder |
| 7 | 009595-45 | Rubber Mouth Guard |
| 8 | 009594-45 | Flow Straightener |
| 9 | 012697-45 | Flow Control Screw |
| 10 | 015319-45 | O-Ring |
| 11 | 001000-45 | Rosette Washer |
| 12 | 000999-45 | Brass Lock Washer |
| 13 | 002954-45 | Shank Lock Nut |
| 14 | 000958-20 | Coupling Nut |



Spanner Bit for
Vandal Resistant Screw
014734-45



Pivot Action Handle
Vandal Resistant Screw
016654-45

Product Specifications:

Bubbler w/ Rubber Mouth Guard, Pivot Action Metering Cartridge w/ "Cold" Handle & 1/2" NPSM Inlet w/ Coupling Nut

Drawn

DMH

Checked

DHL

Approved

JHB

Scale:

NTS

Date:

12/13/12