



# T&S BRASS AND BRONZE WORKS, INC.

2 Saddleback Cove / P.O. Box 1088  
Travelers Rest, SC 29690



REG. #A2601  
ISO #9001

Model No.

**B-2140**

Item No.

Travelers Rest, SC: 800-476-4103 • Simi Valley, CA: 800-423-0150 • Fax: 864-834-3518 • www.tsbrass.com

This Space for Architect/Engineer Approval

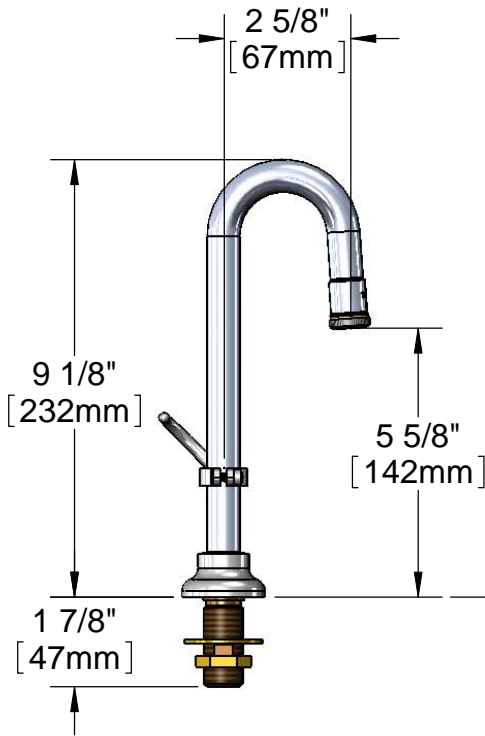
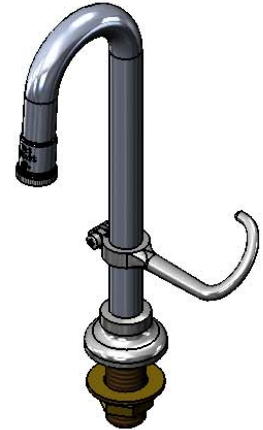
Job Name \_\_\_\_\_ Date \_\_\_\_\_

Model Specified \_\_\_\_\_ Quantity \_\_\_\_\_

Customer/Wholesaler \_\_\_\_\_

Contractor \_\_\_\_\_

Architect/Engineer \_\_\_\_\_



B-LT Stream Regulator

004R Finger Hook

Mounting Surface

Ø1 11/16" [43mm] Rigid Deck Flange

1/2" NPSM Male Shank



150A Tailpiece & Nut Furnished For Optional 1/4" NPT Connection

Note: Rough-In Requirement Ø 1" [25mm] Mounting Holes

Product Specifications:  
Rigid Goosebeck, Center Flange, Finger Hook & B-LT Stream Regulator

Drawn

DHL

Checked

DMH

Approved

JHB

Scale:

1:4

Date:

04/06/11



**T&S BRASS AND BRONZE WORKS, INC.**

2 Saddleback Cove / P.O. Box 1088  
 Travelers Rest, SC 29690



REG. #A2601  
 ISO #9001

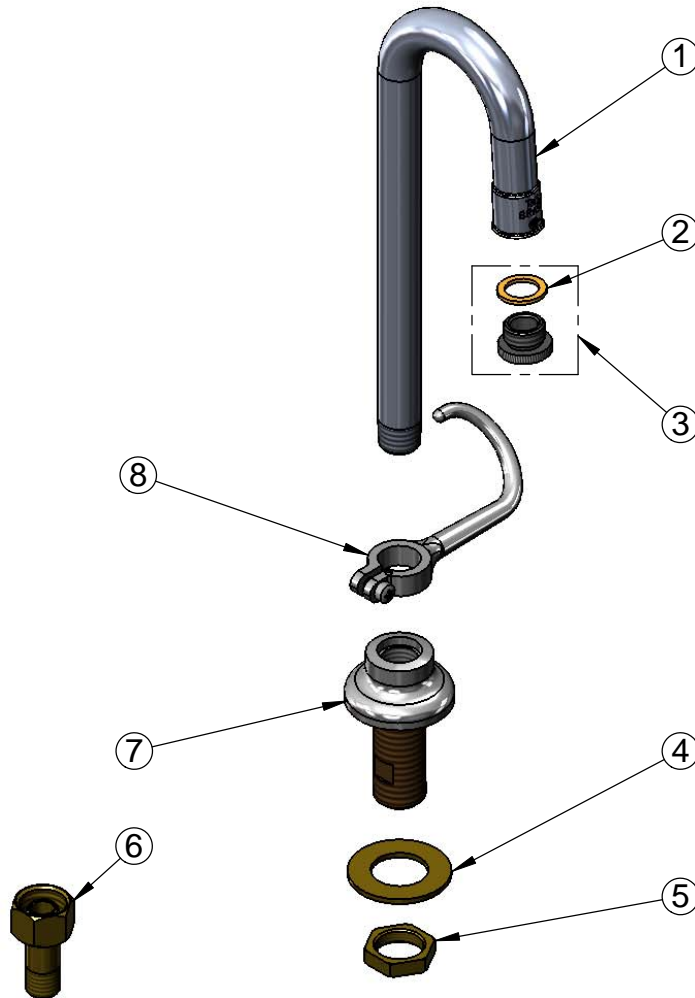
Model No.

**B-2140**

Item No.

Travelers Rest, SC: 800-476-4103 • Simi Valley, CA: 800-423-0150 • Fax: 864-834-3518 • www.tsbrass.com

ITEM NO.	SALES NO.	DESCRIPTION
1	000393-40	Rigid Gooseneck
2	001043-45	Washer
3	B-LT	Stream Regulator Outlet
4	000999-45	Brass Lock Washer
5	002954-45	Shank Lock Nut
6	150A	1/4" NPT Male Tapered Tailpiece Assembly
7	B-0430	Rigid Deck Mount Base Assembly
8	004R	Finger Hook Assembly



Product Specifications:  
 Rigid Goosebeck, Center Flange, Finger Hook  
 & B-LT Stream Regulator

Drawn  
**DHL**

Checked  
**DMH**

Approved  
**JHB**

Scale:  
**NTS**

Date:  
**04/06/11**