



# T&S BRASS AND BRONZE WORKS, INC.

2 Saddleback Cove / P.O. Box 1088  
Travelers Rest, SC 29690

Model No.

**B-0508-01**

Item No.

Travelers Rest, SC: 800-476-4103 • Simi Valley, CA: 800-423-0150 • Fax: 864-834-3518 • www.tsbrass.com

This Space for Architect/Engineer Approval

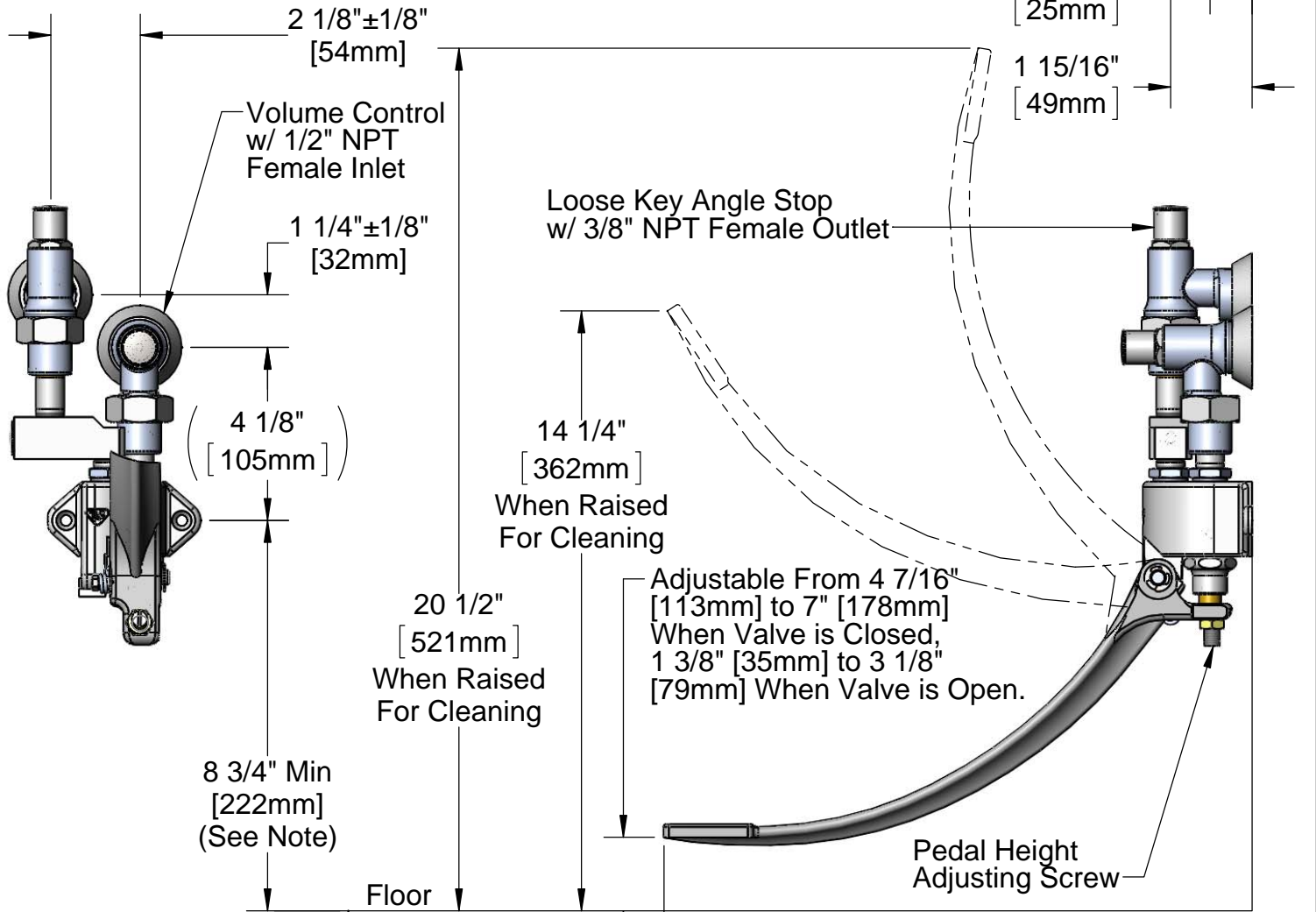
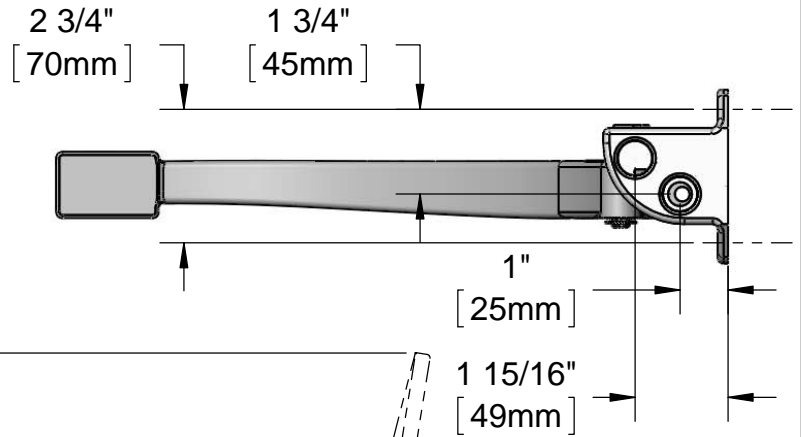
Job Name \_\_\_\_\_ Date \_\_\_\_\_

Model Specified \_\_\_\_\_ Quantity \_\_\_\_\_

Customer/Wholesaler \_\_\_\_\_

Contractor \_\_\_\_\_

Architect/Engineer \_\_\_\_\_



Note: All Pedal Position Dimensions are Based on Minimum Recommended Mounting Height of 8 3/4" [222mm] Above the Floor

Adjustable From 15 3/16" [386mm] to 15 1/2" [394mm] When Valve is Closed  
14 5/16" [363mm] to 15" [381mm] When Valve is Open

Product Specifications: Single Pedal Valve w/ Loose Key Angle Stop & Volume Control	Drawn	Checked	Approved
	DHL	DMH	JHB
	Scale:	Date:	
	1:4	01/05/12	



# T&S BRASS AND BRONZE WORKS, INC.

2 Saddleback Cove / P.O. Box 1088  
Travelers Rest, SC 29690

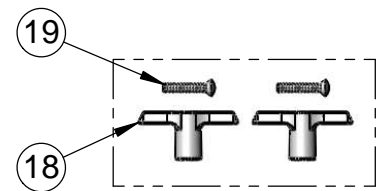
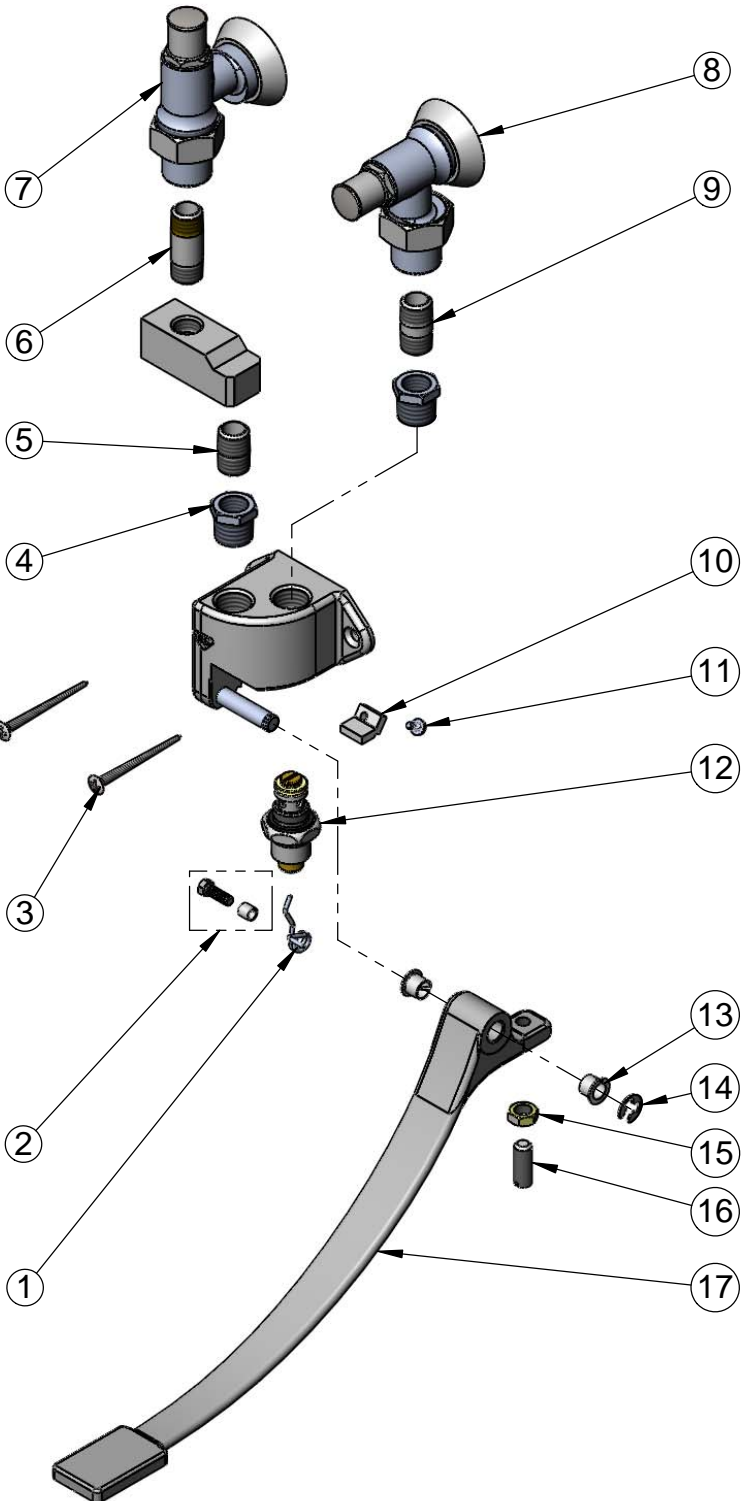
Model No.

**B-0508-01**

Item No.

Travelers Rest, SC: 800-476-4103 • Simi Valley, CA: 800-423-0150 • Fax: 864-834-3518 • www.tsbrass.com

ITEM NO.	SALES NO.	DESCRIPTION
1	000887-45	Spring, RH (Cold Pedal)
2	001483-25	Pedal Spring Screw & Spacer
3	003749-45	Foot Pedal Mtg. Screw
4	001359-40	Hex Bushing, 1/2" Male x 3/8" Female
5	002535-25	3/8" Close Nipple
6	000356-40	3/8" NPT x 1 3/4" Nipple
7	B-1355	3/8" NPT Female Inlet Loose Key Angle Stop w/ Handle & Screw
8	B-1351	1/2" NPT Female Inlet Loose Key Angle Stop w/ Handle & Screw
9	000355-40	3/8" NPT x 1 1/4" Nipple
10	012513-10	Pad
11	012523-45	Pad Screw
12	005312-40	Bonnet Assembly
13	001602-45	Bushing, Pedal Valve
14	012512-45	E-clip Retaining Ring
15	000952-45	Nut
16	001123-45	Nylon Set Screw
17	000245-30	B-0508 Blank Pedal
18	001802-45	Supply Stop T-Handle
19	002432-45	Supply Stop T-Handle Screw



Product Specifications:  
Single Pedal Valve w/ Loose Key Angle Stop & Volume Control

Drawn <b>DHL</b>	Checked <b>DMH</b>	Approved <b>JHB</b>
Scale: <b>NTS</b>		Date: <b>01/05/12</b>



# T&S BRASS AND BRONZE WORKS, INC.

2 Saddleback Cove / P.O. Box 1088  
Travelers Rest, SC 29690

Model No.

**B-0508-02**

Item No.

Travelers Rest, SC: 800-476-4103 • Simi Valley, CA: 800-423-0150 • Fax: 864-834-3518 • www.tsbrass.com

This Space for Architect/Engineer Approval

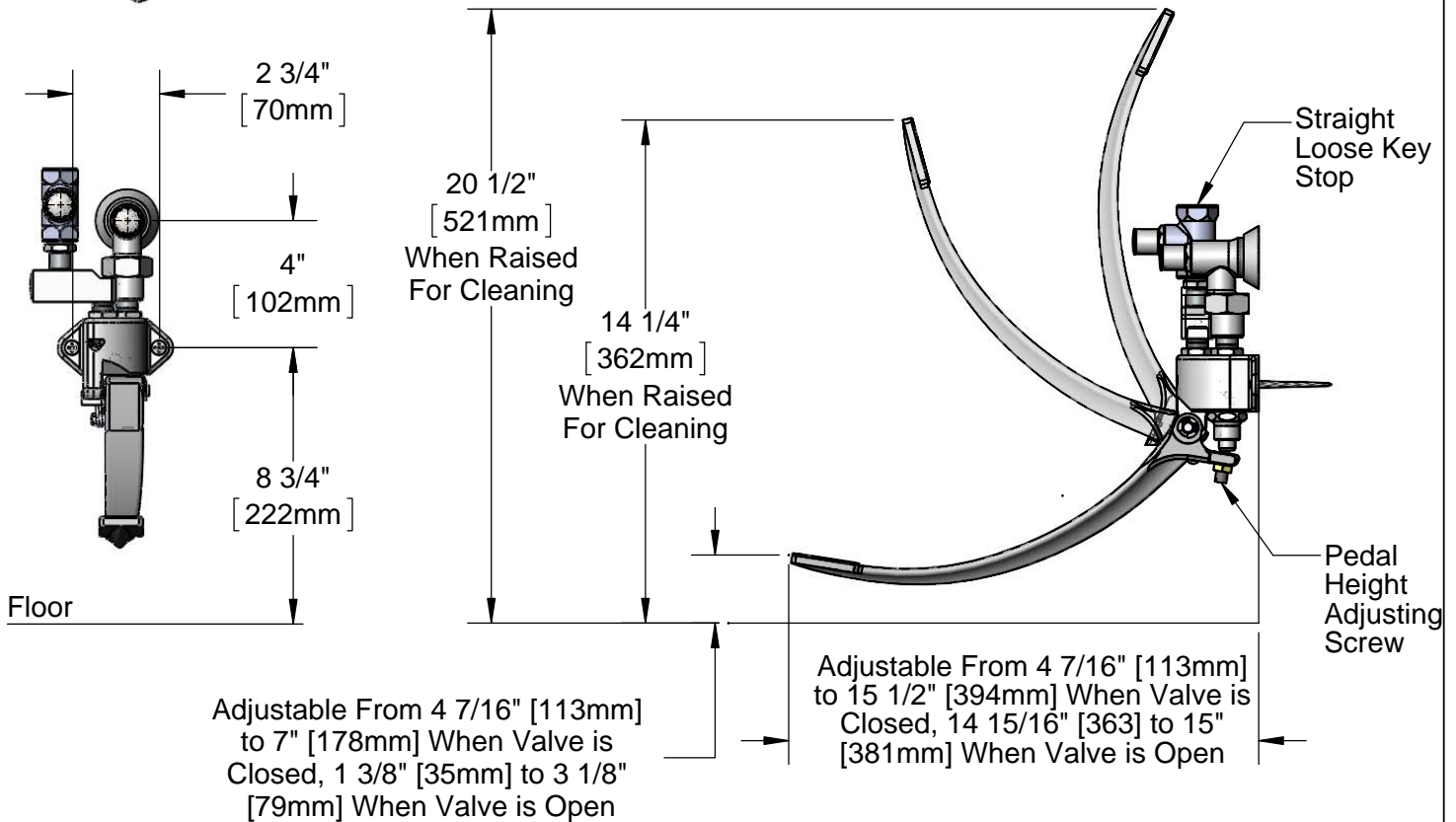
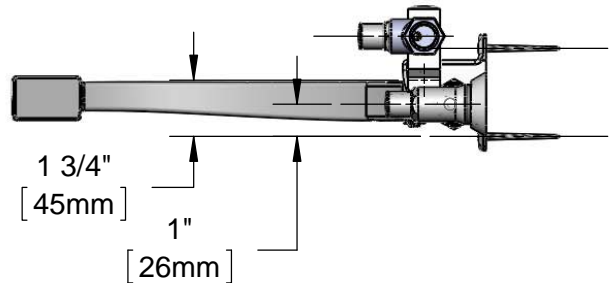
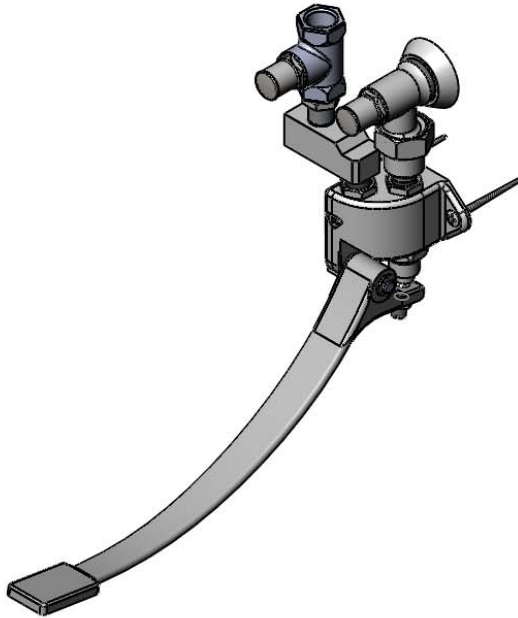
Job Name \_\_\_\_\_ Date \_\_\_\_\_

Model Specified \_\_\_\_\_ Quantity \_\_\_\_\_

Customer/Wholesaler \_\_\_\_\_

Contractor \_\_\_\_\_

Architect/Engineer \_\_\_\_\_



Product Specifications:  
Single Pedal Valve With Straight Stop & Volume Control

Product Compliance:  
ASME A112.18.1 / CSA B125.1  
NSF 61 - Section 9  
NSF 372 (Low Lead Content)



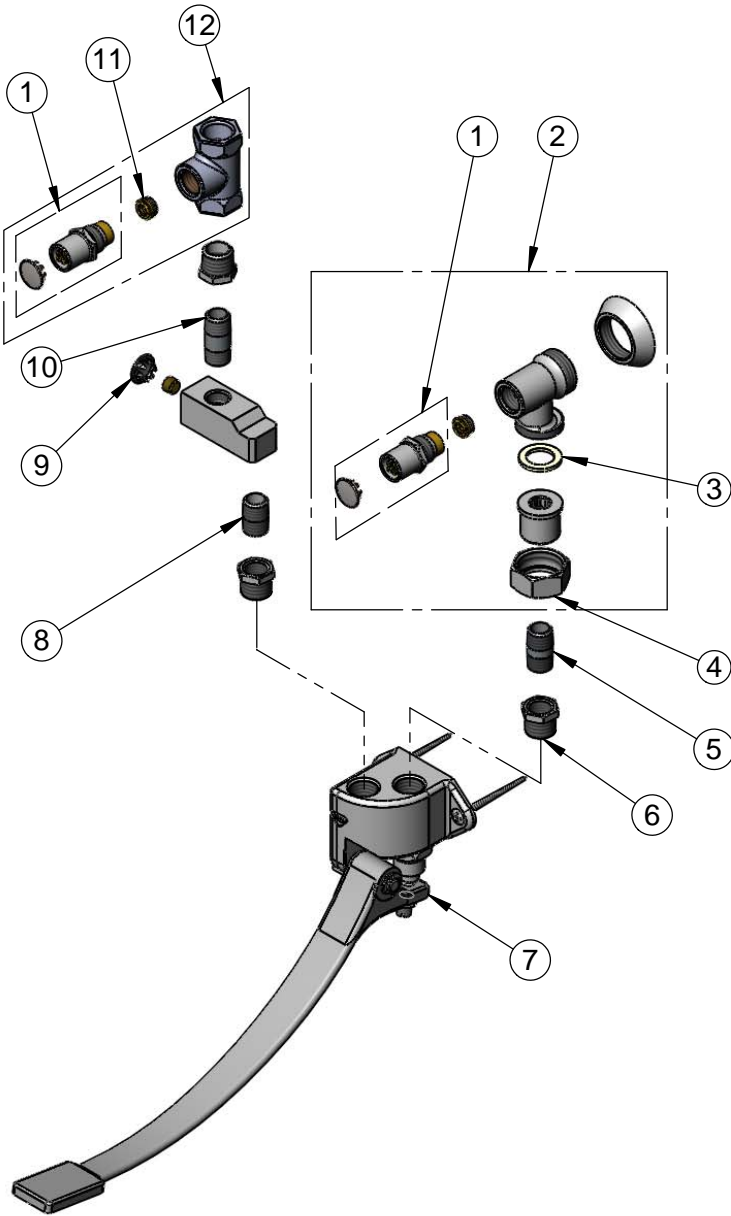
**T&S BRASS AND BRONZE WORKS, INC.**  
 2 Saddleback Cove / P.O. Box 1088  
 Travelers Rest, SC 29690

Model No.  
**B-0508-02**

Item No.

Travelers Rest, SC: 800-476-4103 • Simi Valley, CA: 800-423-0150 • Fax: 864-834-3518 • www.tsbrass.com

ITEM NO.	SALES NO.	DESCRIPTION
1	166A	Service Stop w/ Cap, T-Handle & Screw
2	B-1351	Loose Key Angle Stop 3/8" NPT
3	001019-45	Coupling Nut Washer
4	000721-25	Flange Coupling Nut
5	000355-40	Nipple 3/8 NPT X 1 1/4"
6	001359-40	Hex Bushing, 1/2" NPT Male x 3/8" NPT Female
7	B-0508	Single Pedal Valve
8	002535-25	3/8" Close Nipple
9	001605-45	Cap
10	002341-40	Nipple, 3/8" NPT x 1-1/2"
11	000763-20	Seat
12	B-0416	Loose Key Straight Stop Assembly



Product Specifications:  
**Single Pedal Valve With Straight Stop & Volume Control**

Product Compliance:  
 ASME A112.18.1 / CSA B125.1  
 NSF 61 - Section 9  
 NSF 372 (Low Lead Content)