



# T&S BRASS AND BRONZE WORKS, INC.

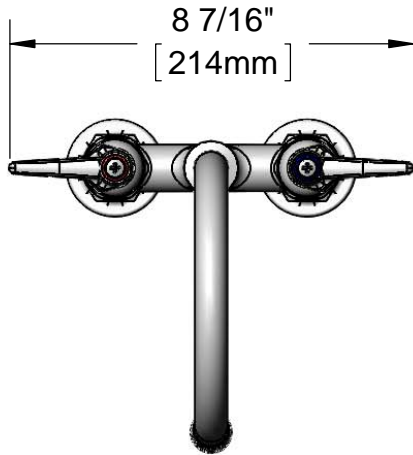
2 Saddleback Cove / P.O. Box 1088  
Travelers Rest, SC 29690

Model No.

**B-0326**

Item No.

Travelers Rest, SC: 800-476-4103 • Simi Valley, CA: 800-423-0150 • Fax: 864-834-3518 • www.tsbrass.com



**ADA Compliant**

This Space for Architect/Engineer Approval

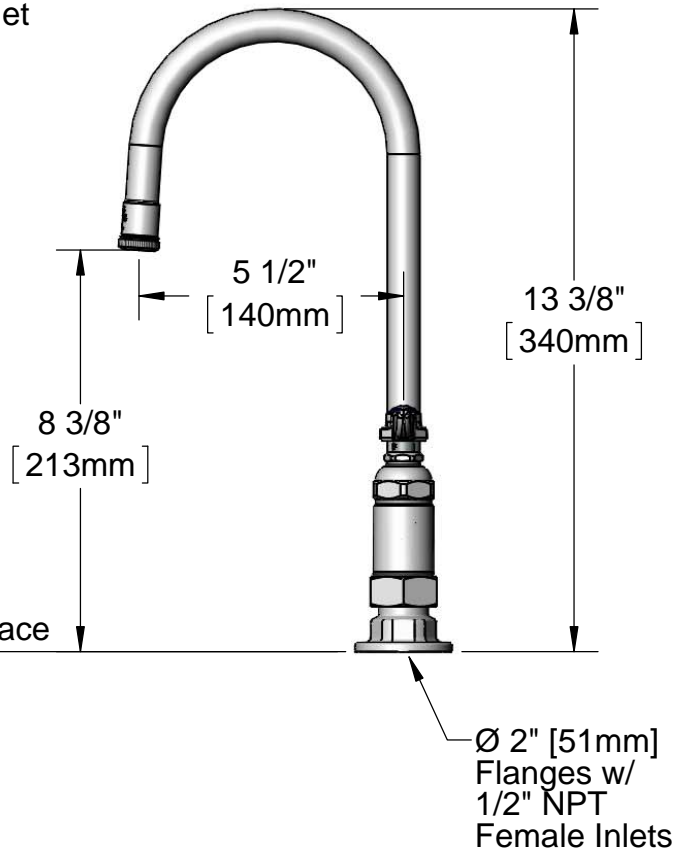
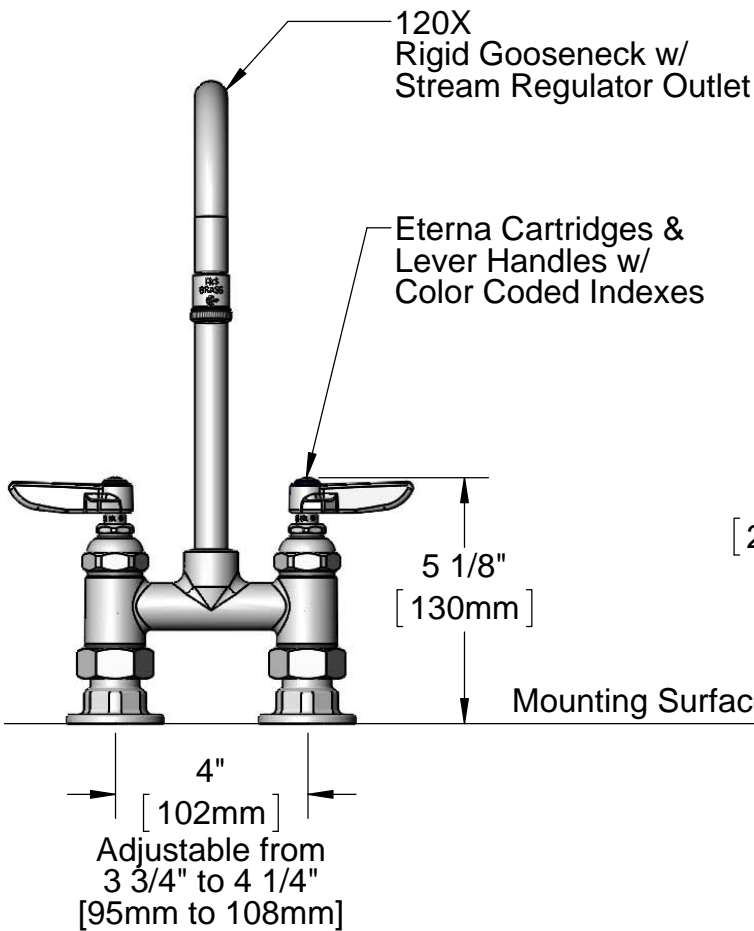
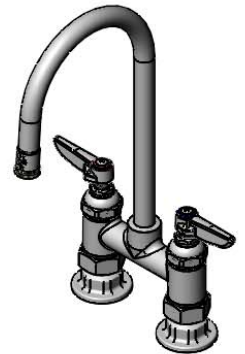
Job Name \_\_\_\_\_ Date \_\_\_\_\_

Model Specified \_\_\_\_\_ Quantity \_\_\_\_\_

Customer/Wholesaler \_\_\_\_\_

Contractor \_\_\_\_\_

Architect/Engineer \_\_\_\_\_



**Product Specifications:**

4" Deck Mount Mixing Faucet, Eterna Cartridges, Lever Handles, 5 1/2" Rigid Gooseneck w/ Stream Regulator Outlet & 1/2" NPT Female Inlets

**Product Compliance:**

ASME A112.18.1 / CSA B125.1  
NSF 61 - Section 9  
NSF 372 (Low Lead Content)  
ANSI A117.1 (ADA)



# T&S BRASS AND BRONZE WORKS, INC.

2 Saddleback Cove / P.O. Box 1088  
Travelers Rest, SC 29690

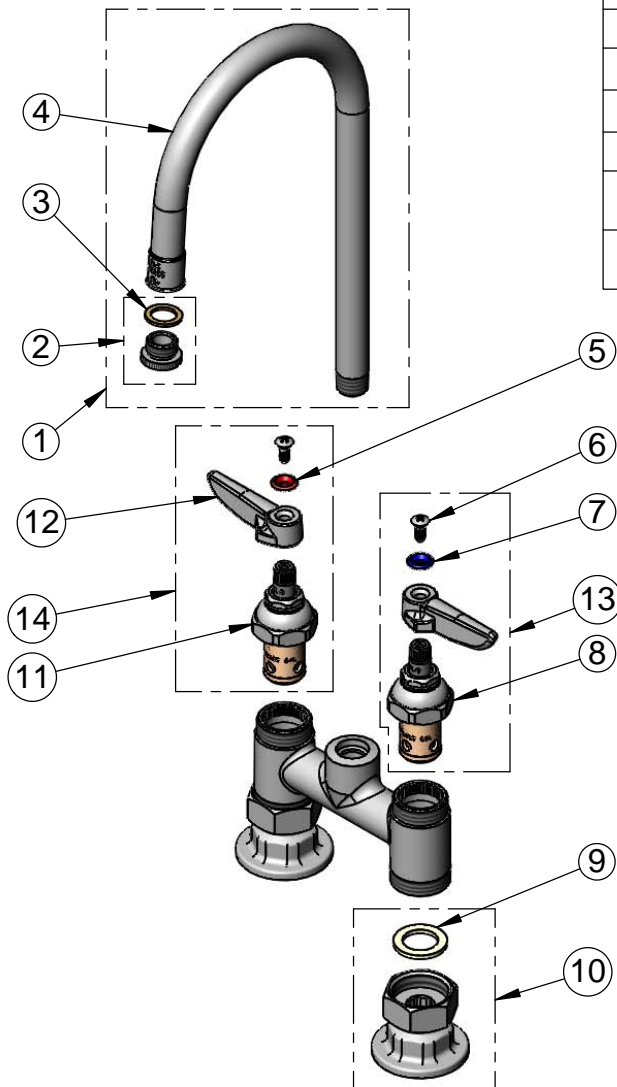
Model No.

**B-0326**

Item No.

Travelers Rest, SC: 800-476-4103 • Simi Valley, CA: 800-423-0150 • Fax: 864-834-3518 • www.tsbrass.com

ITEM NO.	SALES NO.	DESCRIPTION
1	120X	Rigid Gooseneck
2	B-LT	Stream Regulator Outlet
3	001043-45	Washer
4	000398-40	6" Rigid Gooseneck
5	001661-45	Red Index-HW
6	000922-45	Lever Handle Screw
7	001660-45	Blue Index-CW
8	005959-40	Eterna Cartridge, LTC
9	001019-45	Coupling Nut Washer
10	00AA	1/2" NPT Female Eccentric Flange
11	005960-40	Eterna Cartridge, RTC
12	001638-45	Lever Handle
13	002713-40	Eterna Cartridge, LTC w/ Handle, Index & Screw
14	002714-40	Eterna Cartridge, RTC w/ Handle, Index & Screw



**Product Specifications:**

4" Deck Mount Mixing Faucet, Eterna Cartridges, Lever Handles,  
5 1/2" Rigid Gooseneck w/ Stream Regulator Outlet & 1/2" NPT  
Female Inlets

**Product Compliance:**

ASME A112.18.1 / CSA B125.1  
NSF 61 - Section 9  
NSF 372 (Low Lead Content)  
ANSI A117.1 (ADA)



**T&S BRASS AND BRONZE WORKS, INC.**  
 2 SADDLEBACK COVE / P.O. BOX 1088 / TRAVELERS REST, SC 29690  
 PHONE 800-476-4103 FAX 864-834-3518



Model No.

B-2389

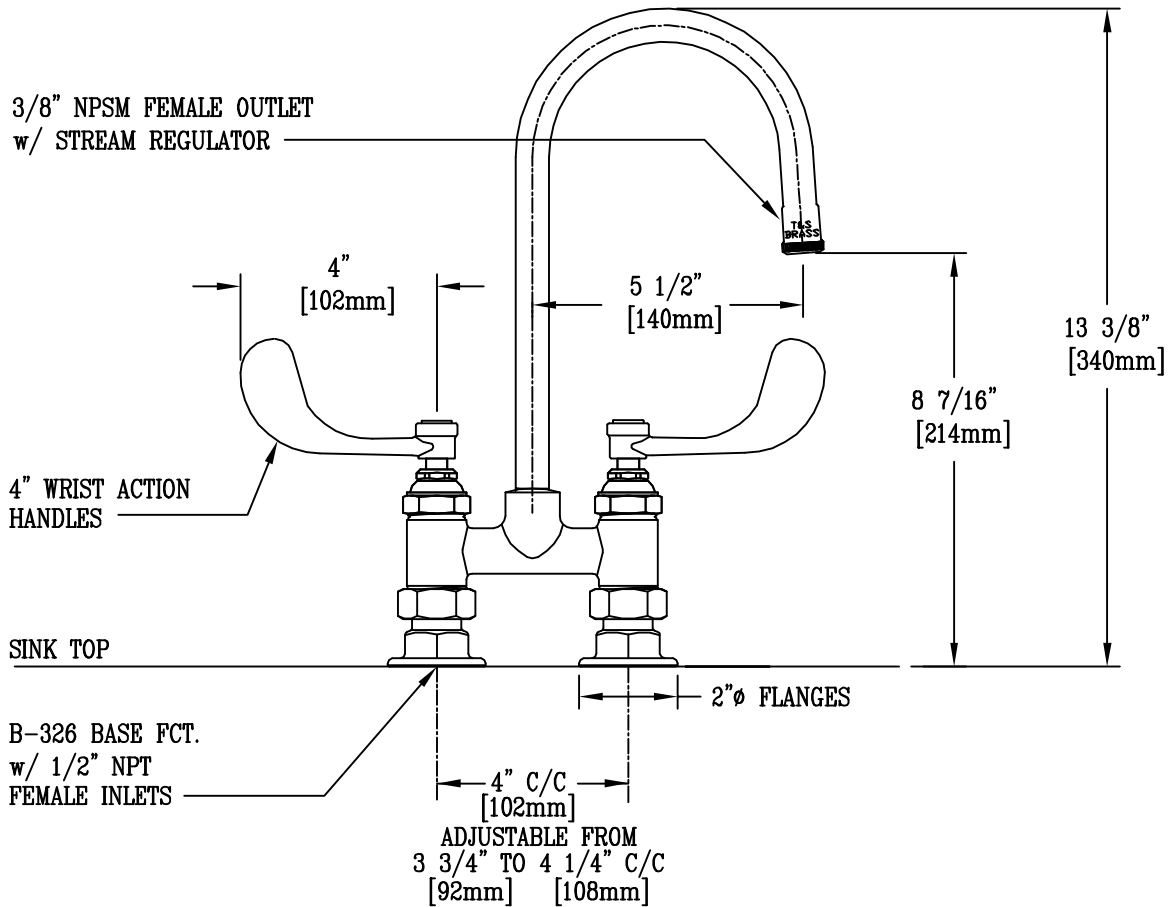
Item No.:

REG.#A2601  
ISO #9002

Job Name:

Architect/Engineer Approval:

Notes:



Product Description:

4" c/c MIXING FCT. w/ 120X RIGID GN  
AND 4" WRIST ACTION HANDLES

Drawn:

WJS

Approved

MVW

Checked

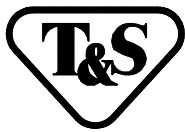
MVW

Scale:

1 : 4

Date:

6-16-99



T&S BRASS AND BRONZE WORKS, INC.

2 SADDLEBACK COVE / P.O. BOX 1088 / TRAVELERS REST, SC 29690

PHONE 800-476-4103

FAX 864-834-3518



REG.#A2601  
ISO #9002

Model No.

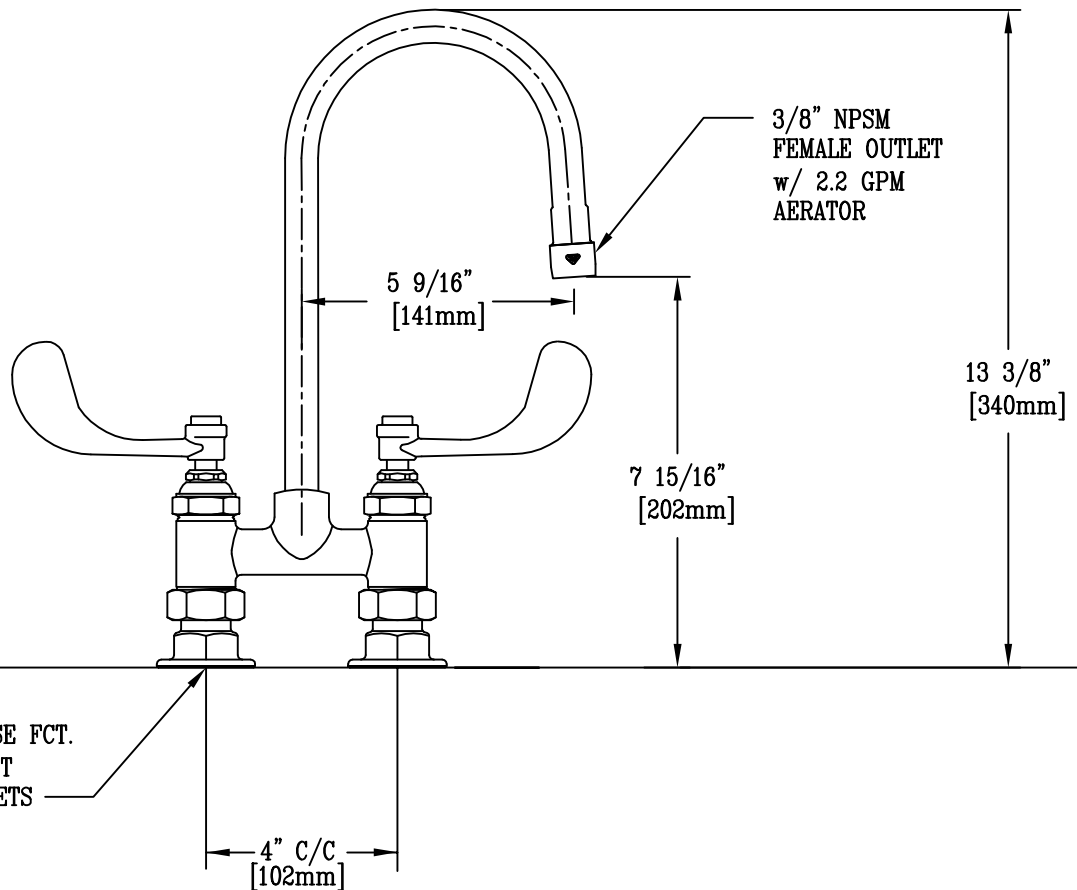
B-0328

Item No.:

Job Name:

Architect/Engineer Approval:

Notes:



Product Description:

4" c/c DECK MOUNTED MIXING FCT. w/  
RIGID GOOSENECK, 2.2 GPM AERATOR,  
B-WH4 HANDLES, & 1/2" NPT FEMALE INLETS

Drawn:

WJS

Approved

JHB

Checked

JRM

Scale:

1 : 4

Date:

06/02/06



# T&S BRASS AND BRONZE WORKS, INC.

2 Saddleback Cove / P.O. Box 1088  
Travelers Rest, SC 29690



REG. #A2601  
ISO #9001

Model No.

**B-0328-CR**

Item No.

Travelers Rest, SC: 800-476-4103 Simi Valley, CA: 800-423-0150 Fax: 864-834-3518 www.tsbrass.com

This Space for Architect/Engineer Approval

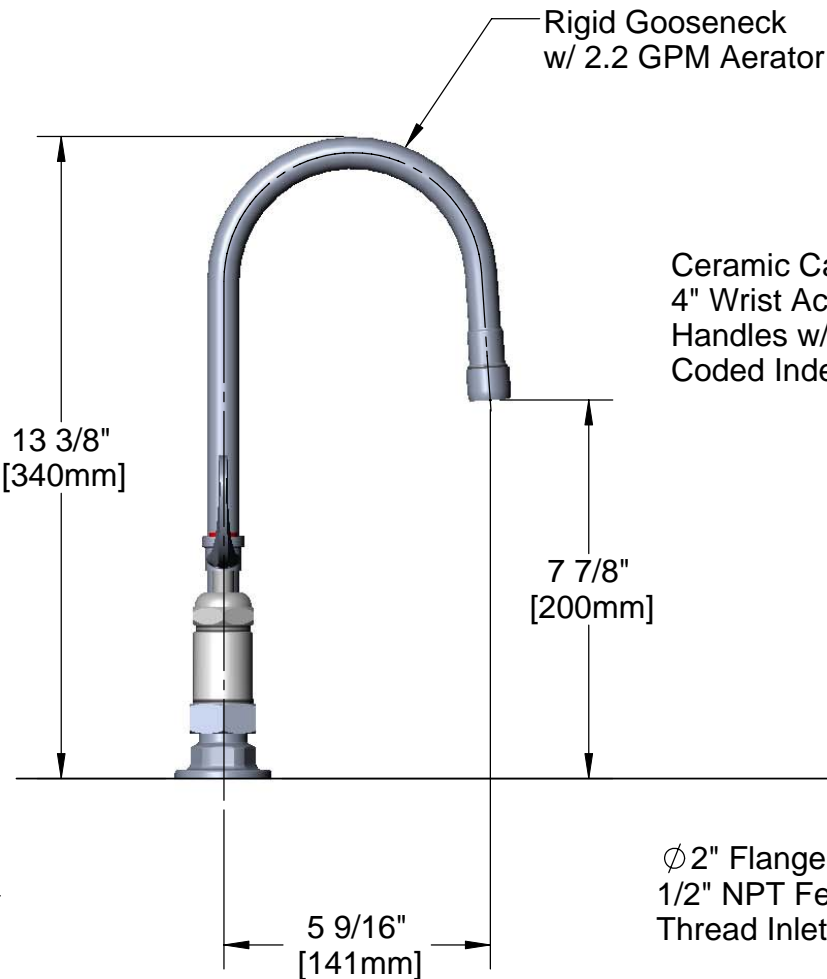
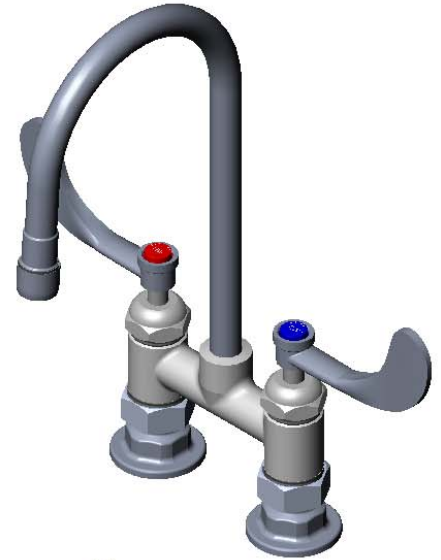
Job Name \_\_\_\_\_ Date \_\_\_\_\_

Model Specified \_\_\_\_\_ Quantity \_\_\_\_\_

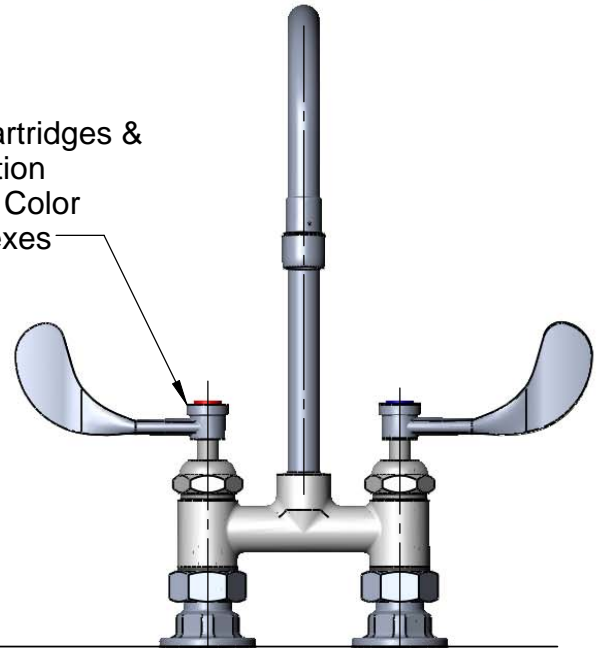
Customer/Wholesaler \_\_\_\_\_

Contractor \_\_\_\_\_

Architect/Engineer \_\_\_\_\_



Ceramic Cartridges & 4" Wrist Action Handles w/ Color Coded Indexes



Ø2" Flange w/ 1/2" NPT Female Thread Inlets

4" C/C [102mm]  
Adjustable from 3 3/4" to 4 1/4" [95mm to 108mm]

Product Specifications:

4" c/c Deck Mounted Mixing Faucet w/ Ceramic Cartridges, Rigid Gooseneck, 2.2 GPM Aerator, 4" Wrist Action Handles, and 1/2" NPT Female Inlets

Drawn <b>DMH</b>	Checked <b>DHL</b>	Approved <b>JHB</b>
Scale: <b>1:4</b>		Date: <b>01/19/09</b>



**T&S BRASS AND BRONZE WORKS, INC.**

2 Saddleback Cove / P.O. Box 1088  
Travelers Rest, SC 29690



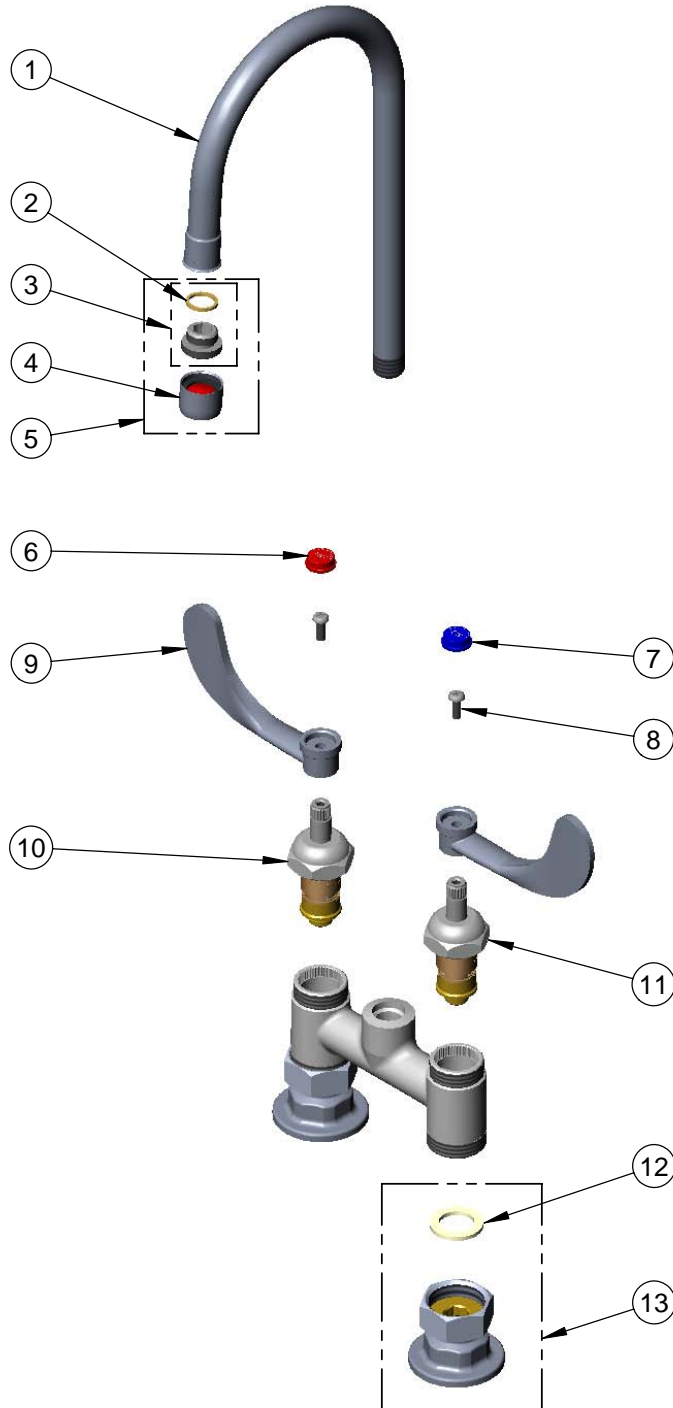
REG. #A2601  
ISO #9001

Model No.

**B-0328-CR**

Item No.

Travelers Rest, SC: 800-476-4103 Simi Valley, CA: 800-423-0150 Fax: 864-834-3518 www.tsbrass.com



ITEM NO.	SALES NO.	DESCRIPTION
1	000398-40	Rigid Gooseneck
2	001043-45	Washer
3	044A	3/8" to Aerator Adapter
4	B-0199-01	2.2 GPM Aerator, Female
5	B-0199-02	2.2 GPM Male Aerator
6	001194-45	Red HW Index
7	001686-45	Blue CW Index
8	000925-45	Lab Handle Screw
9	B-WH4	4" Wrist Action Handle
10	011278-25	Ceramic Cartridge RTC
11	011279-25	Ceramic Cartridge LTC
12	001019-45	Coupling Nut Washer
13	00AA	Coupling Flange Asm

Product Specifications:

4" c/c Deck Mounted Mixing Faucet w/ Ceramic Cartridges, Rigid Gooseneck, 2.2 GPM Aerator, 4" Wrist Action Handles, and 1/2" NPT Female Inlets

Drawn <b>DMH</b>	Checked <b>DHL</b>	Approved <b>JHB</b>
Scale: <b>1:4</b>		Date: <b>01/19/09</b>



# T&S BRASS AND BRONZE WORKS, INC.

2 Saddleback Cove / P.O. Box 1088  
Travelers Rest, SC 29690

Model No.

**B-0320**

Item No.

Travelers Rest, SC: 800-476-4103 • Simi Valley, CA: 800-423-0150 • Fax: 864-834-3518 • www.tsbrass.com



**ADA Compliant**

This Space for Architect/Engineer Approval

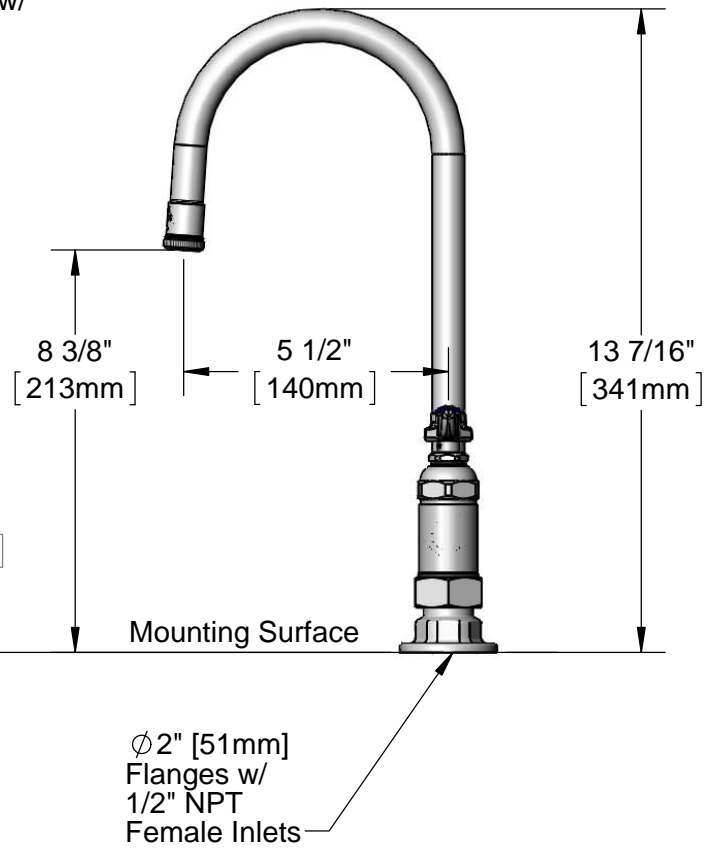
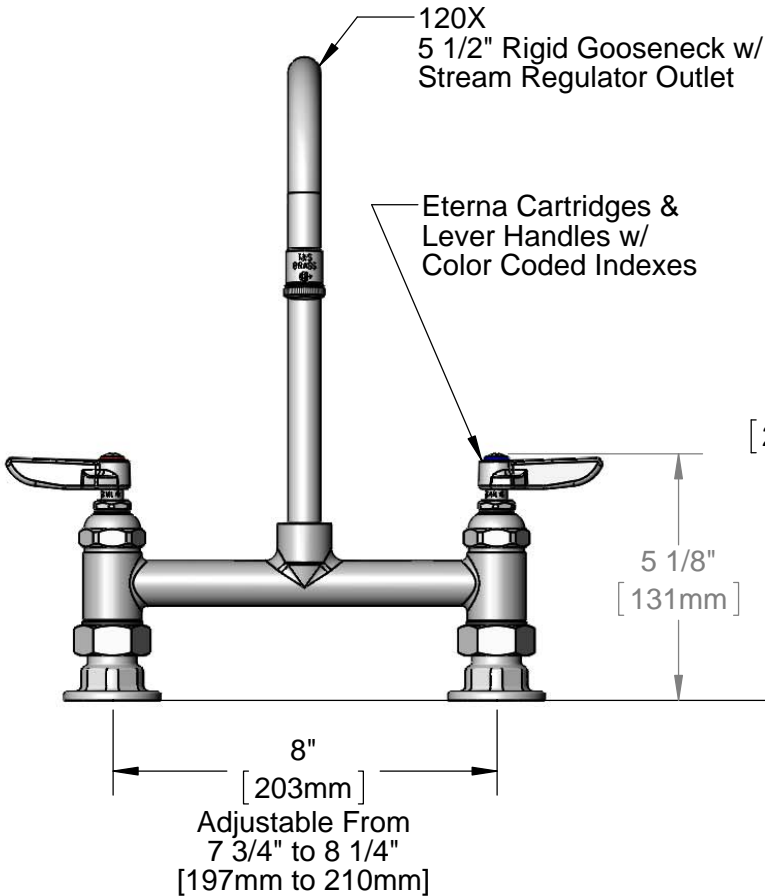
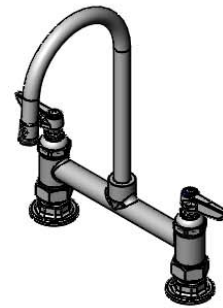
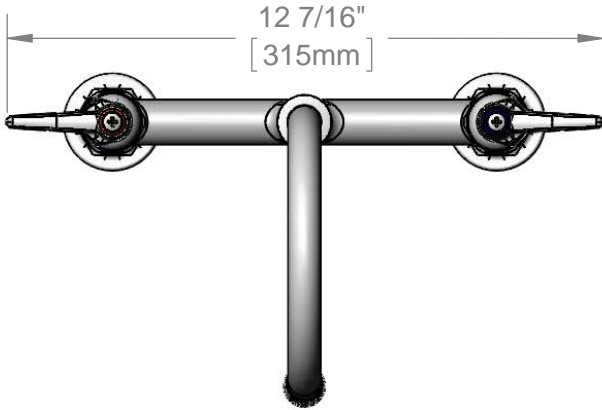
Job Name \_\_\_\_\_ Date \_\_\_\_\_

Model Specified \_\_\_\_\_ Quantity \_\_\_\_\_

Customer/Wholesaler \_\_\_\_\_

Contractor \_\_\_\_\_

Architect/Engineer \_\_\_\_\_



**Product Specifications:**

8" Deck Mount Mixing Faucet, Eterna Cartridges, Lever Handles, 5 1/2" Rigid Gooseneck & 1/2" NPT Female Inlets

**Product Compliance:**

ASME A112.18.1 / CSA B125.1  
NSF 61 - Section 9  
NSF 372 (Low Lead Content)  
ANSI A117.1 (ADA)



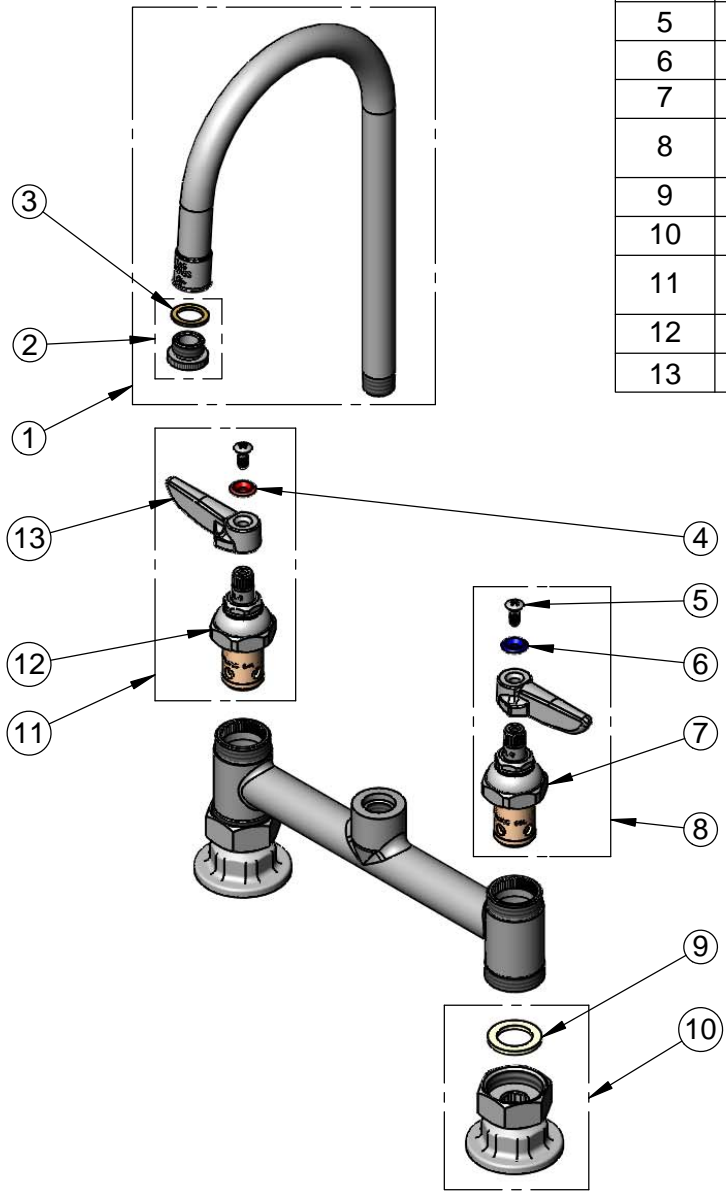
**T&S BRASS AND BRONZE WORKS, INC.**  
 2 Saddleback Cove / P.O. Box 1088  
 Travelers Rest, SC 29690

Model No.  
**B-0320**

Item No.

Travelers Rest, SC: 800-476-4103 • Simi Valley, CA: 800-423-0150 • Fax: 864-834-3518 • www.tsbrass.com

ITEM NO.	SALES NO.	DESCRIPTION
1	120X	5 1/2" Rigid Gooseneck
2	B-LT	Stream Regulator Outlet
3	001043-45	Washer
4	001661-45	Red Index-HW
5	000922-45	Lever Handle Screw
6	001660-45	Blue Index-CW
7	005959-40	Eterna Cartridge, LTC
8	002713-40	Eterna Cartridge, LTC w/ Handle, Index & Screw
9	001019-45	Coupling Nut Washer
10	00AA	1/2" NPT Female Eccentric Flange
11	002714-40	Eterna Cartridge, RTC w/ Handle, Index & Screw
12	005960-40	Eterna Cartridge, RTC
13	001638-45	Lever Handle



Product Specifications:  
 8" Deck Mount Mixing Faucet, Eterna Cartridges, Lever Handles, 5 1/2" Rigid Gooseneck & 1/2" NPT Female Inlets

Product Compliance:  
 ASME A112.18.1 / CSA B125.1  
 NSF 61 - Section 9  
 NSF 372 (Low Lead Content)  
 ANSI A117.1 (ADA)