



T&S BRASS AND BRONZE WORKS, INC.

2 SADDLEBACK COVE / P.O. BOX 1088 / TRAVELERS REST, SC 29690

PHONE 800-476-4103

FAX 864-834-3518

Model No.

B-0268

Item No.:

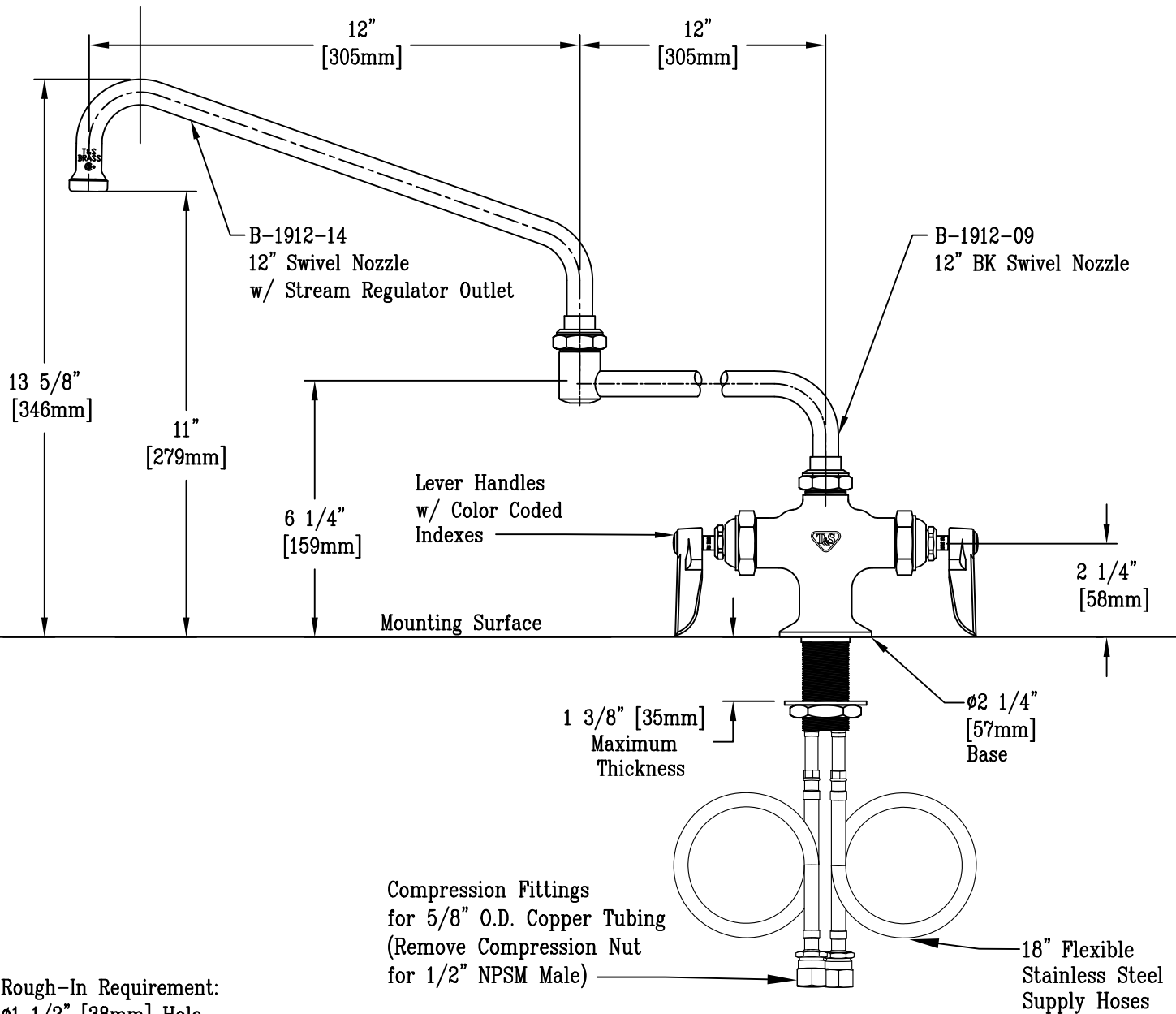
Job Name:

Architect/Engineer Approval:

Notes:



ADA Compliant



Rough-In Requirement:

Ø1 1/2" [38mm] Hole

Product Description:

Single Hole Deck Mount Mixing Faucet, Eterna Cartridges, Lever Handles, 24" Double Swing Joint Nozzle & 18" Flexible Stainless Steel Supply Hoses w/ 1/2" NPT Male Inlets

Drawn:

JRM

Checked:

DHL

Scale:

1 : 4

Approved:

JHB

Date:

01/09/15



T&S BRASS AND BRONZE WORKS, INC.

2 SADDLEBACK COVE / P.O. BOX 1088 / TRAVELERS REST, SC 29690

PHONE 800-476-4103

FAX 864-834-3518

Model No.

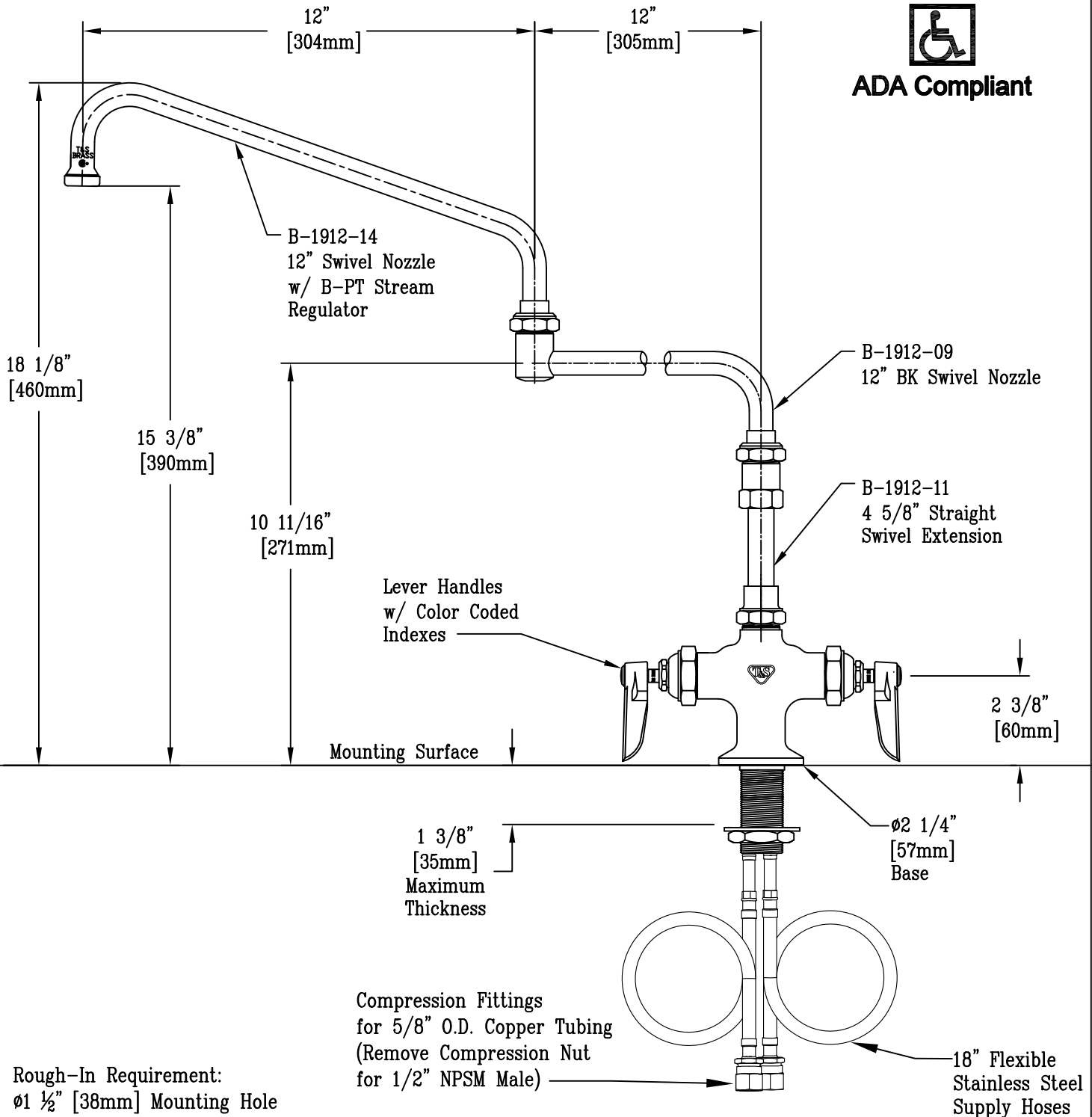
B-0268-03

Item No.:

Job Name:

Architect/Engineer Approval:

Notes:



Product Description:
Single Hole Deck Mount Mixing Faucet
w/ 24" Double Joint Swing Nozzle &
4 5/8" Extension

Drawn: JRM	Checked DHL	Scale: 1 : 4
Approved JHB	Date: 01/09/15	



T&S BRASS AND BRONZE WORKS, INC.

2 Saddleback Cove / P.O. Box 1088
Travelers Rest, SC 29690

Model No.

B-0268-04

Item No.

Travelers Rest, SC: 800-476-4103 • Simi Valley, CA: 800-423-0150 • Fax: 864-834-3518 • www.tsbrass.com



ADA Compliant

This Space for Architect/Engineer Approval

Job Name _____ Date _____

Model Specified _____ Quantity _____

Customer/Wholesaler _____

Contractor _____

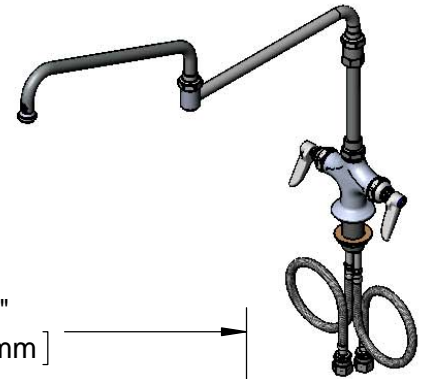
Architect/Engineer _____

7 5/16"
[186mm]

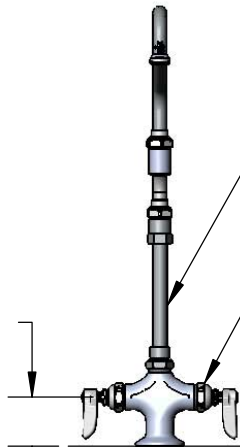


B-1912-09
12" Back Section
Nozzle Assembly

062X
12" Swing Nozzle w/
Stream Regulator Outlet



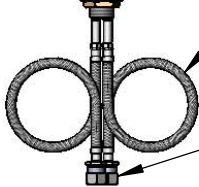
2 5/16"
[58mm]



7 5/8" Straight
Swivel Extension

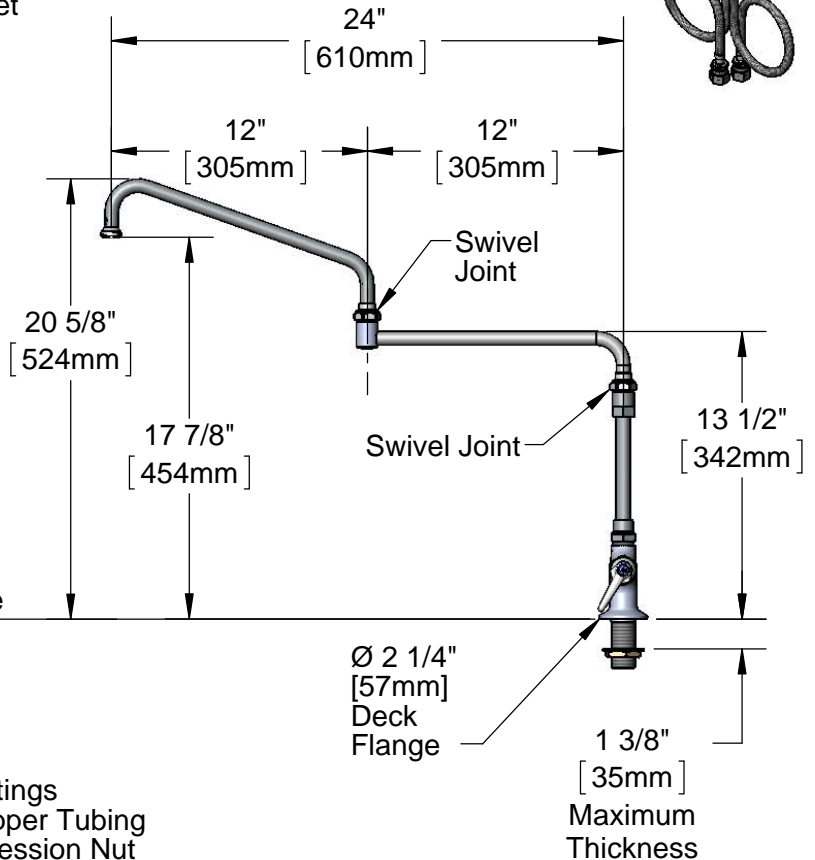
Eterna Cartridges &
Lever Handles w/
Color Coded Indexes

Mounting Surface



18" Flexible
Stainless Steel
Supply Hoses

Compression Fittings
for 5/8" O.D. Copper Tubing
(Remove Compression Nut
for 1/2" NPSM Male)



Rough-In Requirement:
Ø 1 1/2" [38mm] Mounting Hole

Product Specifications:

Single Hole Deck Mount Mixing Faucet, Eterna Cartridges, 24" Double-Joint Nozzle w/ Stream Regulator Outlet, 7 5/8" Extension & 18" Flexible Stainless Steel Supply Hoses w/ 1/2" NPT Male Inlets

Product Compliance:

ASME A112.18.1 / CSA B125.1
NSF 61 - Section 9
NSF 372 (Low Lead Content)
ANSI A117.1 (ADA)



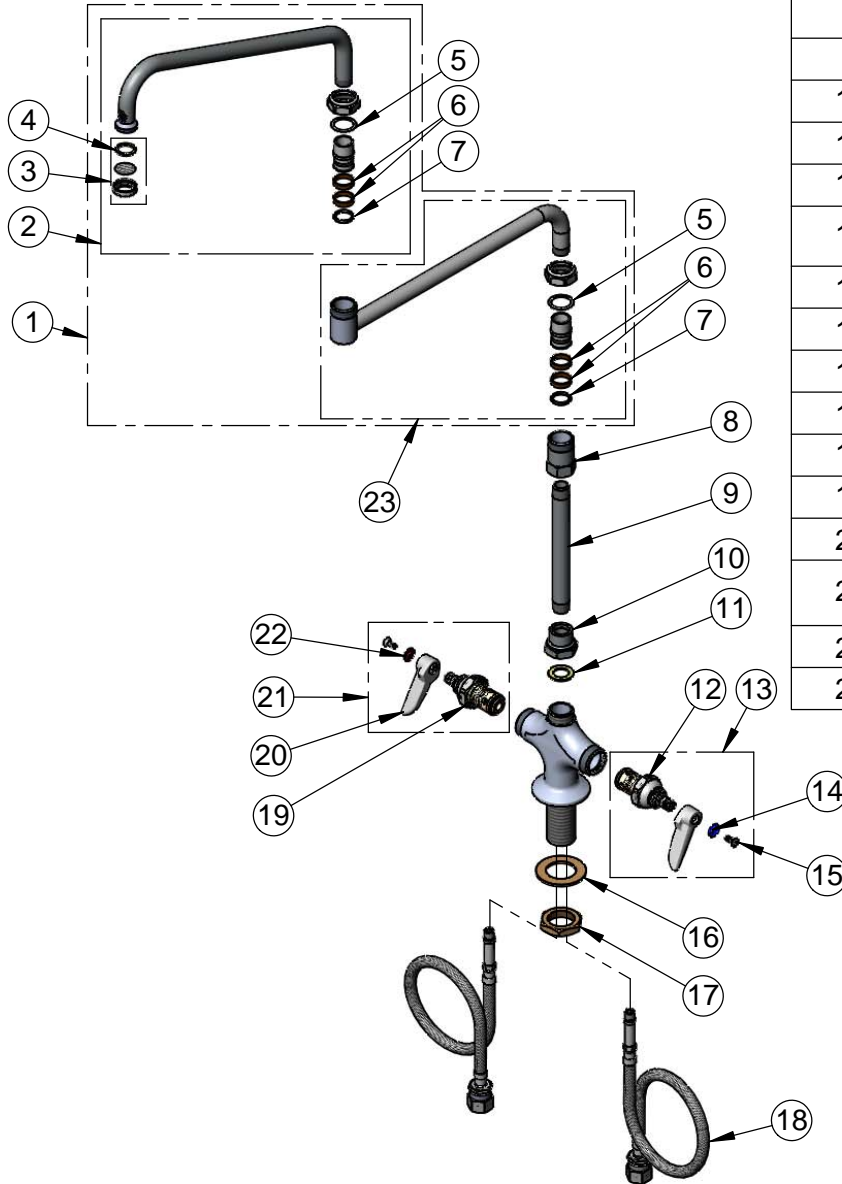
T&S BRASS AND BRONZE WORKS, INC.
 2 Saddleback Cove / P.O. Box 1088
 Travelers Rest, SC 29690

Model No.
B-0268-04

Item No.

Travelers Rest, SC: 800-476-4103 • Simi Valley, CA: 800-423-0150 • Fax: 864-834-3518 • www.tsbrass.com

ITEM NO.	SALES NO.	DESCRIPTION
1	017919-40	24" Double Joint Swing Nozzle
2	062X	12" Swing Nozzle
3	B-PT	Stream Regulator Outlet
4	001048-45	Nozzle Tip Washer
5	009538-45	Swivel Washer
6	011429-45	Swivel Sleeves (2)
7	001074-45	O-Ring
8	054X	Swivel Body
9	144X	Riser, 3/8" NPT x 6"
10	B-0413	Swivel to Rigid Adapter
11	001049-45	Washer
12	005959-40	Eterna Cartridge, RTC
13	002713-40	Eterna Cartridge, LTC w/ Handle, Index & Screw
14	001660-45	Blue Index-CW
15	000922-45	Lever Handle Screw
16	002290-45	Lock Washer
17	000965-45	Lock Nut
18	012534-45	18" Flexible Supply Hose (2)
19	005960-40	Eterna Cartridge, RTC
20	001638-45	Lever Handle
21	002714-40	Eterna Cartridge, RTC w/ Handle, Index & Screw
22	001661-45	Red Index-HW
23	B-1912-09	12" Back Section



Product Specifications:
 Single Hole Deck Mount Mixing Faucet, Eterna Cartridges, 24" Double-Joint Nozzle w/ Stream Regulator Outlet, 7 5/8" Extension & 18" Flexible Stainless Steel Supply Hoses w/ 1/2" NPT Male Inlets

Product Compliance:
 ASME A112.18.1 / CSA B125.1
 NSF 61 - Section 9
 NSF 372 (Low Lead Content)
 ANSI A117.1 (ADA)