



T&S BRASS AND BRONZE WORKS, INC.

2 Saddleback Cove / P.O. Box 1088
Travelers Rest, SC 29690



REG. #A2601
ISO #9001

Model No.

B-0237

Item No.

Travelers Rest, SC: 800-476-4103 Simi Valley, CA: 800-423-0150 Fax: 864-834-3518 www.tsbrass.com

This Space for Architect/Engineer Approval

Job Name _____ Date _____

Model Specified _____ Quantity _____

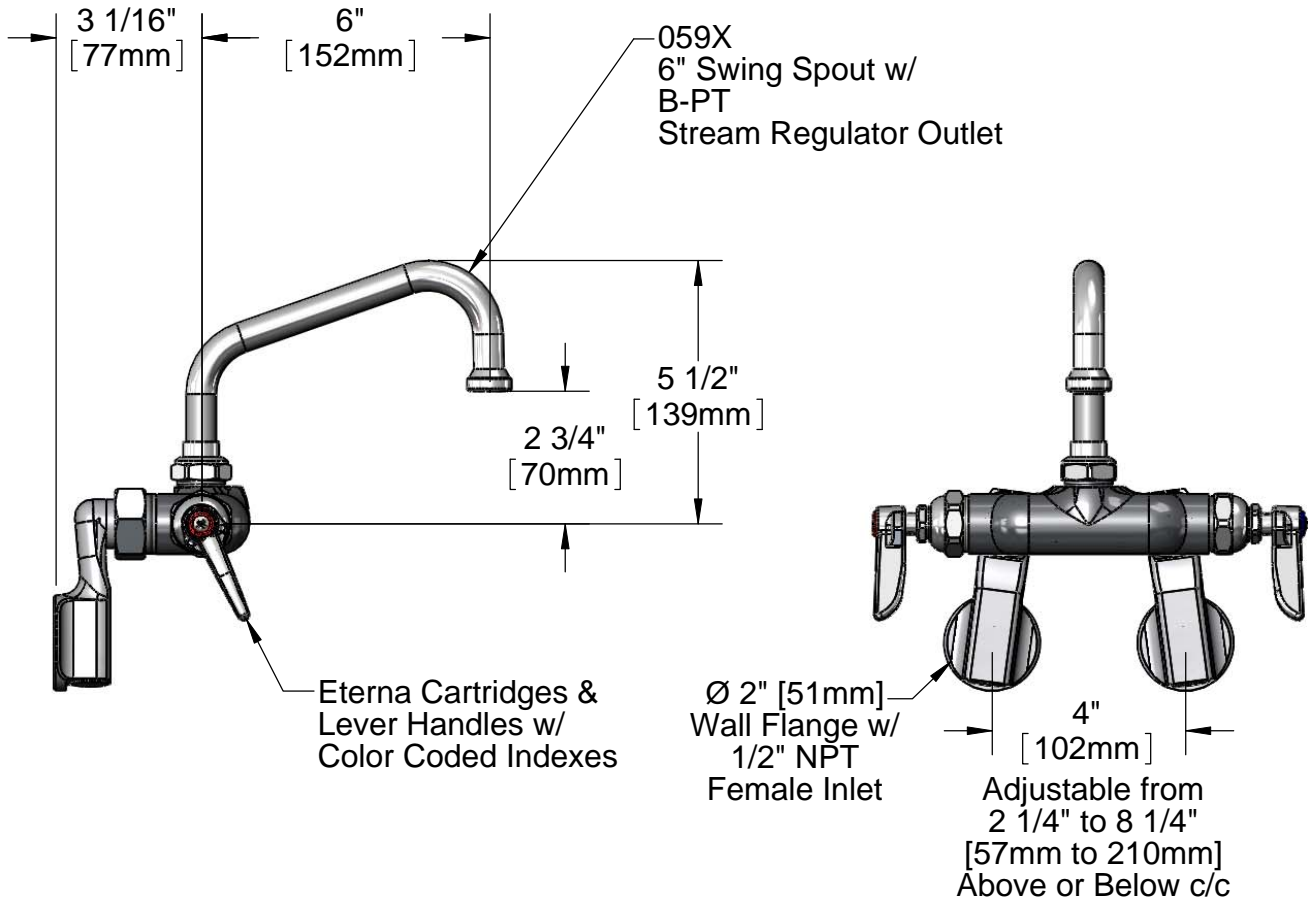
Customer/Wholesaler _____

Contractor _____

Architect/Engineer _____



ADA Compliant



Note: Rough-In Requirement
(2) Ø 1" [25mm] Mounting Holes

Product Specifications:

Combination Sink Faucet, Eterna Cartridges, 6" Swing Nozzle
w/ B-PT Stream Regulator Outlet, Lever Handles & Adjustable Inlets

Drawn DHL	Checked JRM	Approved JHB
Scale: 1:4		Date: 02/17/11



T&S BRASS AND BRONZE WORKS, INC.

2 Saddleback Cove / P.O. Box 1088
Travelers Rest, SC 29690



REG. #A2601
ISO #9001

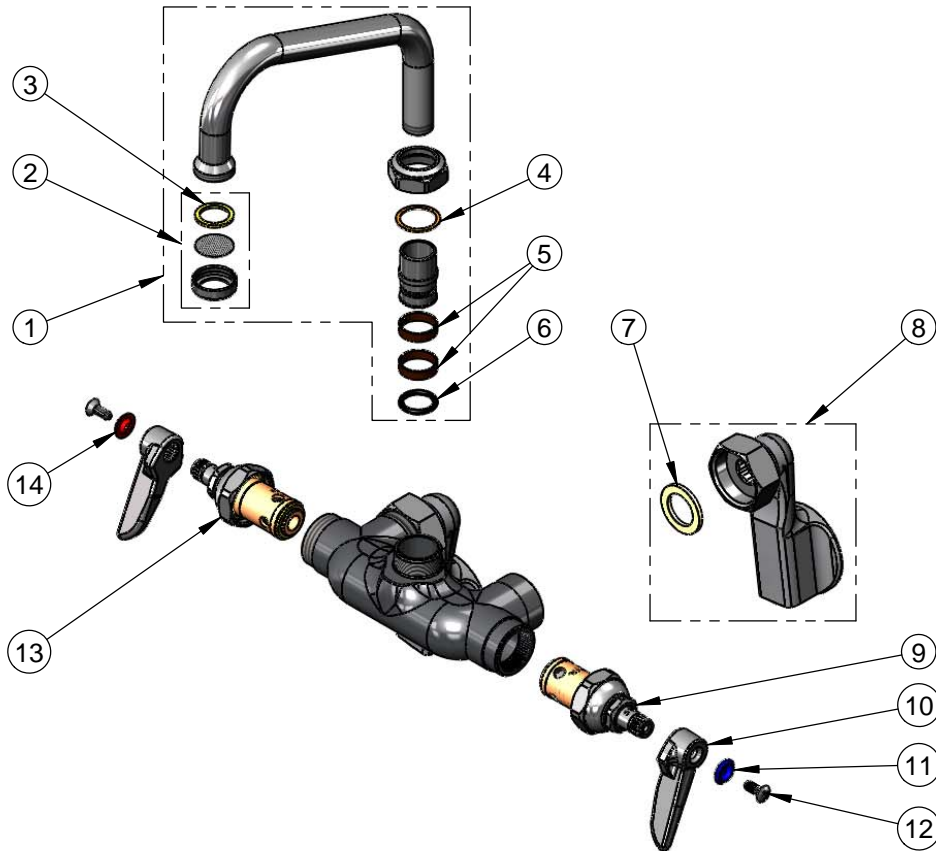
Model No.

B-0237

Item No.

Travelers Rest, SC: 800-476-4103 Simi Valley, CA: 800-423-0150 Fax: 864-834-3518 www.tsbrass.com

ITEM NO.	SALES NO.	DESCRIPTION
1	059X	6" Swivel Nozzle Assembly
2	B-PT	Stream Regulator
3	001048-45	Nozzle Tip Washer
4	009538-45	Swivel Washer
5	011429-45	Swivel Sleeves (2)
6	001074-45	O-Ring
7	001019-45	Coupling Nut Washer
8	00GG	1/2" NPT Female Adjustable Inlet Assembly
9	005959-40	Spindle Asm. Eterna "Cold"
10	001638-45	Lever Handle
11	001660-45	Blue Index-CW
12	000922-45	Lever Handle Screw
13	005960-40	Spindle Asm, Eterna "Hot"
14	001661-45	Red Index-HW



Product Specifications:

Combination Sink Faucet, Eterna Cartridges, 6" Swing Nozzle
w/ B-PT Stream Regulator Outlet, Lever Handles & Adjustable Inlets

Drawn DHL	Checked JRM	Approved JHB
Scale: NTS		Date: 02/17/11



T&S BRASS AND BRONZE WORKS, INC.

2 Saddleback Cove / P.O. Box 1088
Travelers Rest, SC 29690



REG. #A2601
ISO #9001

Model No.

B-0238

Item No.

Travelers Rest, SC: 800-476-4103 Simi Valley, CA: 800-423-0150 Fax: 864-834-3518 www.tsbrass.com

This Space for Architect/Engineer Approval

Job Name _____ Date _____

Model Specified _____ Quantity _____

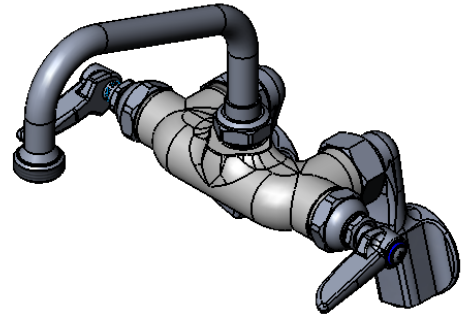
Customer/Wholesaler _____

Contractor _____

Architect/Engineer _____

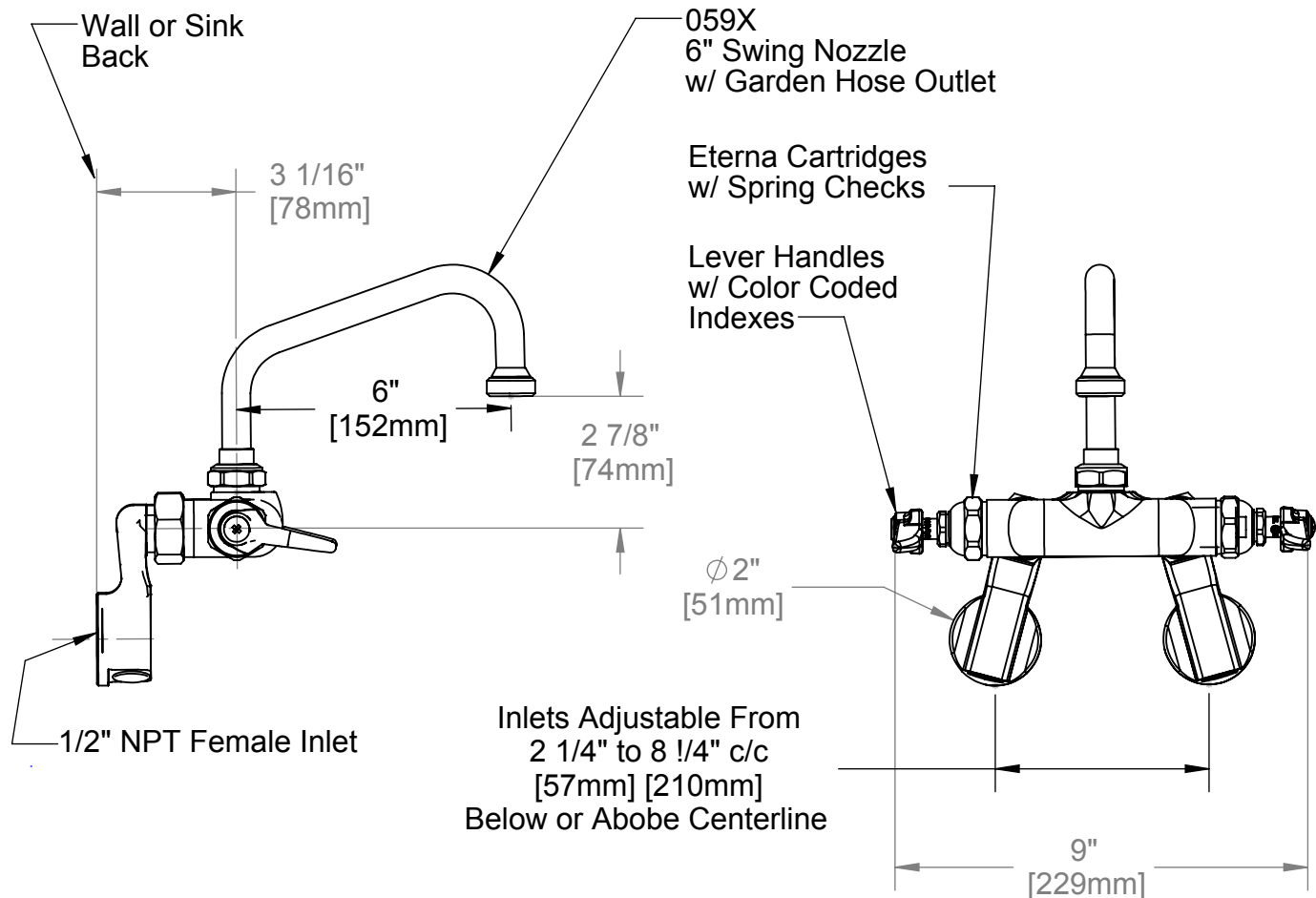


ADA Compliant



Notes:

1. Nozzle Swings 360°
2. Also Available with B-0199-01 Non-Splash Aerator



Product Specifications:

Wall Mount Polish Chrome Mixing Faucet w/ 6" Swing Nozzle, Adjustable Inlet Arms, Lever Handles & B-GFE Garden Hose Outlet

Drawn
KJG

Checked
GEF

Approved
JHB

Scale:

1:4

Date:

5/16/08



T&S BRASS AND BRONZE WORKS, INC.

2 Saddleback Cove / P.O. Box 1088
Travelers Rest, SC 29690



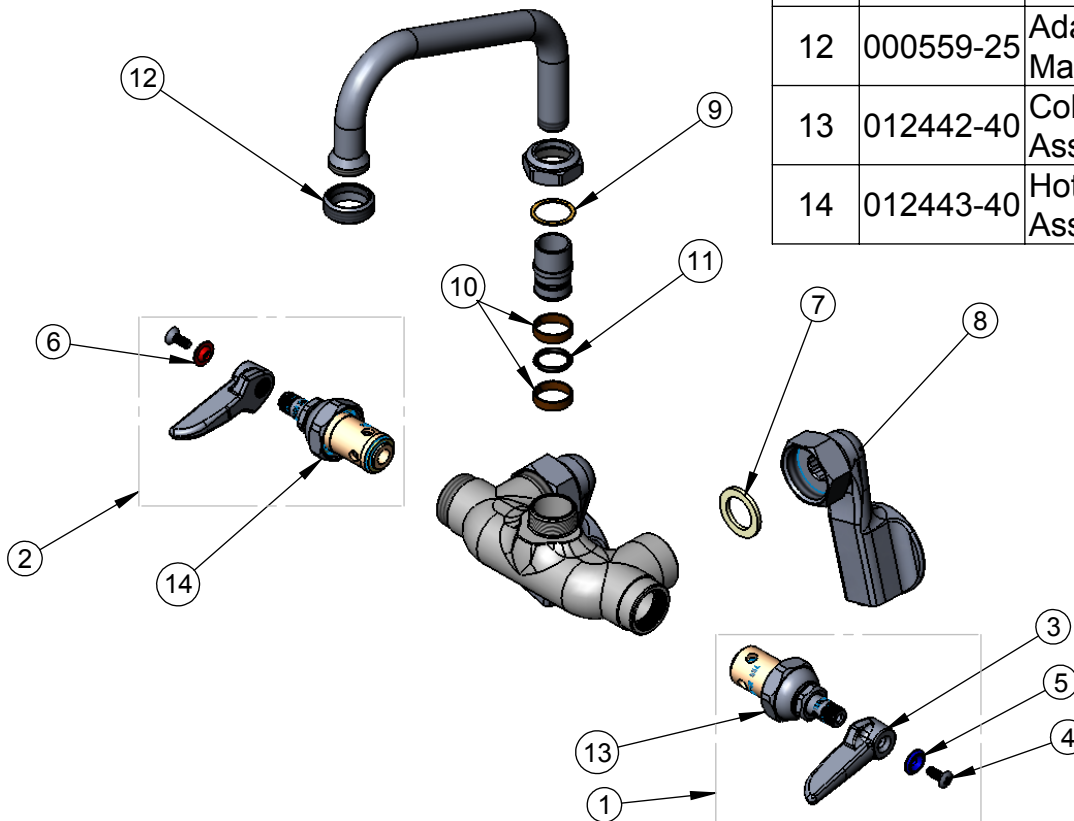
REG. #A2601
ISO #9001

Model No.
B-0238

Item No.

Travelers Rest, SC: 800-476-4103 Simi Valley, CA: 800-423-0150 Fax: 864-834-3518 www.tsbrass.com

ITEM NO.	SALES NO.	DESCRIPTION
1	002711-40	Cold Eterna Spindle Asm w/ Spring Check, Handle, Index & Screw
2	002712-40	Hot Eterna Spindle Asm w/ Spring Check, Handle, Index & Screw
3	001638-45	Lever Handle
4	000922-45	Lever Handle Screw
5	001660-45	Blue Index-CW
6	001661-45	Red Index-HW
7	001019-45	Coupling Nut Washer
8	00GG	Flange Assembly, 1/2" NPT, Adjustable
9	009538-45	Swivel Washer
10	011429-45	Swivel Sleeve
11	001074-45	O-Ring
12	000559-25	Adapter, Garden Hose Male X Aerator THD
13	012442-40	Cold Eterna Spindle Assembly w/ Spring Check
14	012443-40	Hot Eterna Spindle Assembly w/ Spring Check



Product Specifications:

Wall Mount Polish Chrome Mixing Faucet w/ 6" Swing Nozzle, Adjustable Inlet Arms, Lever Handles & B-GFE Garden Hose Outlet

Drawn KJG	Checked GEF	Approved JHB
Scale: 1:4		Date: 5/16/08



T&S BRASS AND BRONZE WORKS, INC.

2 Saddleback Cove / P.O. Box 1088
Travelers Rest, SC 29690

Model No.

B-0242

Item No.

Travelers Rest, SC: 800-476-4103 • Simi Valley, CA: 800-423-0150 • Fax: 864-834-3518 • www.tsbrass.com



ADA Compliant

This Space for Architect/Engineer Approval

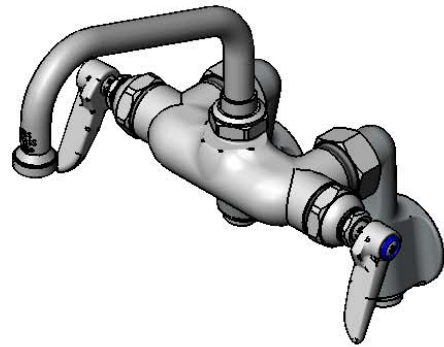
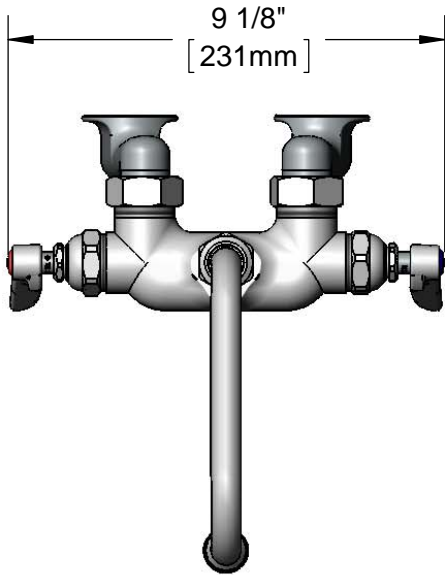
Job Name _____ Date _____

Model Specified _____ Quantity _____

Customer/Wholesaler _____

Contractor _____

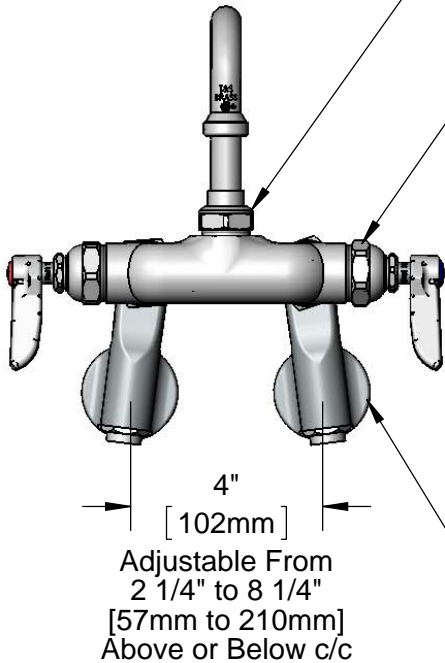
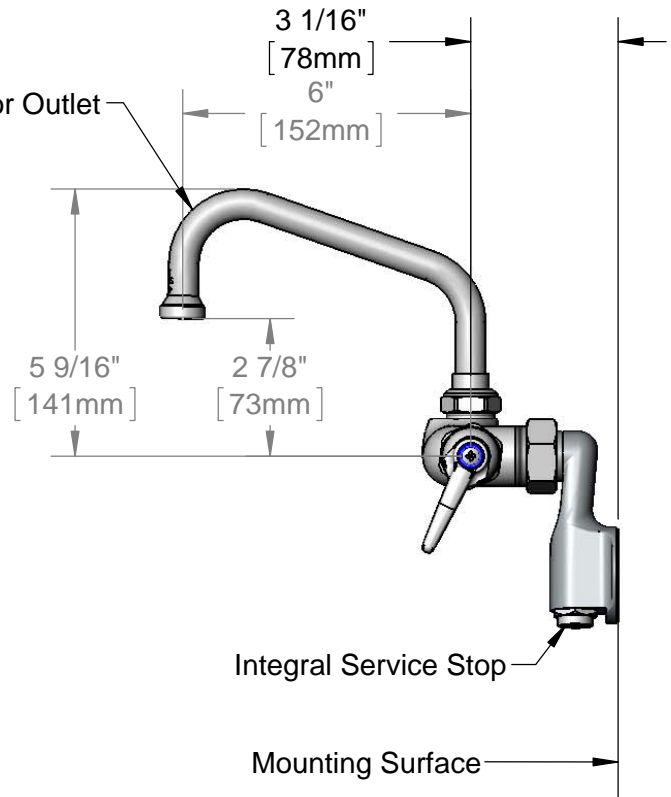
Architect/Engineer _____



059X
6" Swing Nozzle
w/ Stream Regulator Outlet

Swivel Joint

Eterna Cartridges
& Lever Handles
w/ Color Coded
Indexes



Adjustable From
2 1/4" to 8 1/4"
[57mm to 210mm]
Above or Below c/c

Ø 2" [51mm]
Adjustable Wall
Flanges w/
1/2" NPT
Female Inlets

Product Specifications:

Wall Mount Mixing Faucet, Eterna Cartridges, Lever Handles,
6" Swing Nozzle & 1/2" NPT Female Inlet Adjustable Wall Flanges
w/ Integral Service Stops

Drawn

DHL

Checked

DMH

Approved

JHB

Scale:

1:4

Date:

02/04/14



T&S BRASS AND BRONZE WORKS, INC.

2 Saddleback Cove / P.O. Box 1088
Travelers Rest, SC 29690

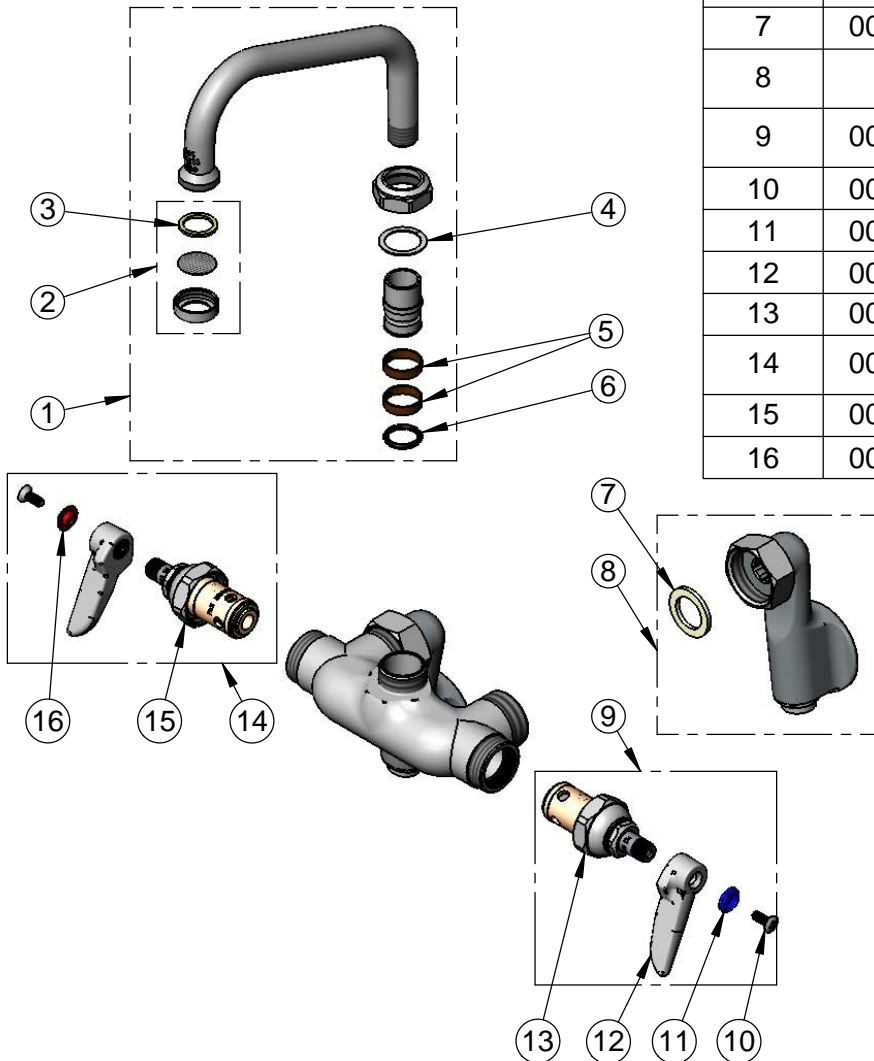
Model No.

B-0242

Item No.

Travelers Rest, SC: 800-476-4103 • Simi Valley, CA: 800-423-0150 • Fax: 864-834-3518 • www.tsbrass.com

ITEM NO.	SALES NO.	DESCRIPTION
1	059X	6" Swing Nozzle
2	B-PT	Stream Regulator Outlet
3	001048-45	Nozzle Tip Washer
4	009538-45	Swivel Washer
5	011429-45	Swivel Sleeves (2)
6	001074-45	O-Ring
7	001019-45	Coupling Nut Washer
8	00XX	1/2" NPT Female Inlet Adjustable Wall Flange w/ Screwdriver Stop
9	002713-40	Eterna Cartridge LTC w/ Handle, Index & Screw
10	000922-45	Lever Handle Screw
11	001660-45	Blue Index-CW
12	001638-45	Lever Handle
13	005959-40	Eterna Cartridge, LTC
14	002714-40	Eterna Cartridge RTC w/ Handle, Index & Screw
15	005960-40	Eterna Cartridge, RTC
16	001661-45	Red Index-HW



Product Specifications:

Wall Mount Mixing Faucet, Eterna Cartridges, Lever Handles, 6" Swing Nozzle & 1/2" NPT Female Inlet Adjustable Wall Flanges w/ Integral Service Stops

Drawn

DHL

Checked

DMH

Approved

JHB

Scale:

NTS

Date:

02/04/14



T&S BRASS AND BRONZE WORKS, INC.

2 Saddleback Cove / P.O. Box 1088
Travelers Rest, SC 29690

Model No.

B-0232

Item No.

Travelers Rest, SC: 800-476-4103 • Simi Valley, CA: 800-423-0150 • Fax: 864-834-3518 • www.tsbrass.com

This Space for Architect/Engineer Approval

Job Name _____ Date _____

Model Specified _____ Quantity _____

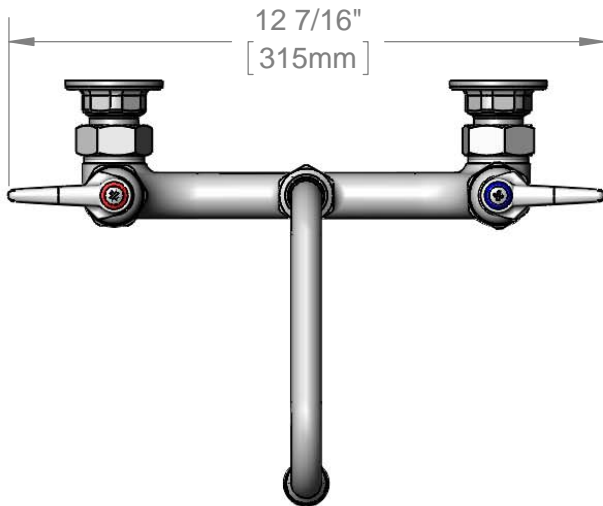
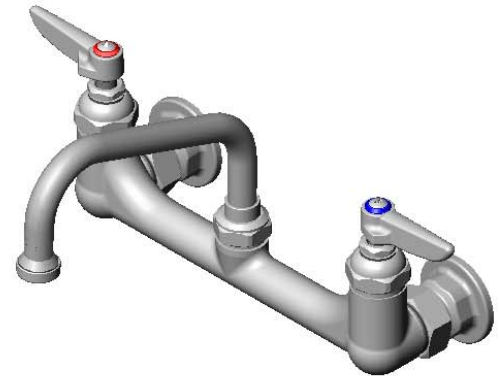
Customer/Wholesaler _____

Contractor _____

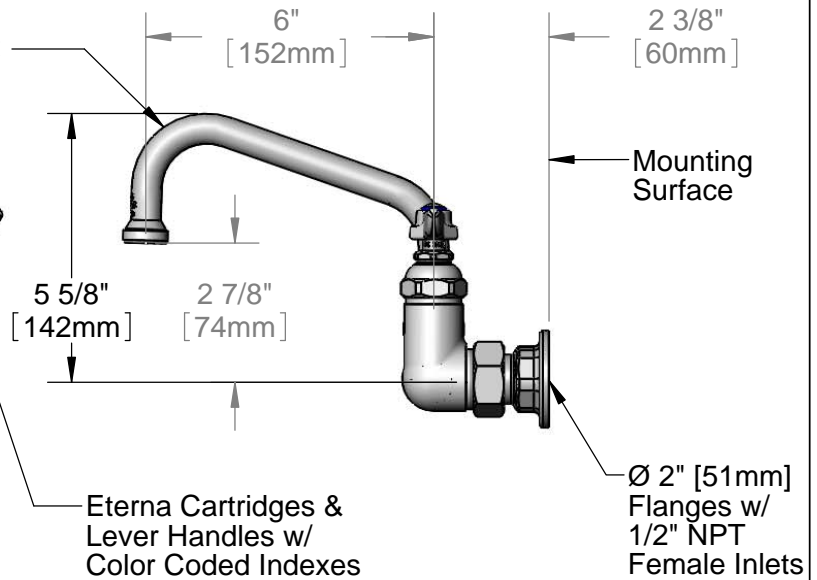
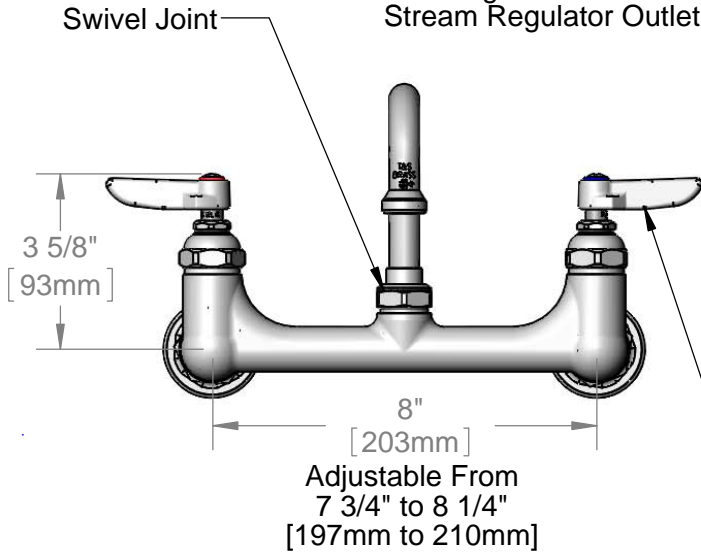
Architect/Engineer _____



ADA Compliant



059X
6" Swing Nozzle w/
Stream Regulator Outlet



Product Specifications:

8" Wall Mount Mixing Faucet, Eterna Cartridges, Lever Handles,
6" Swing Nozzle & 1/2" NPT Female Inlets

Product Compliance:

ASME A112.18.1 / CSA B125.1
NSF 61 - Section 9
NSF 372 (Low Lead Content)
ANSI A117.1 (ADA)



T&S BRASS AND BRONZE WORKS, INC.

2 Saddleback Cove / P.O. Box 1088
Travelers Rest, SC 29690

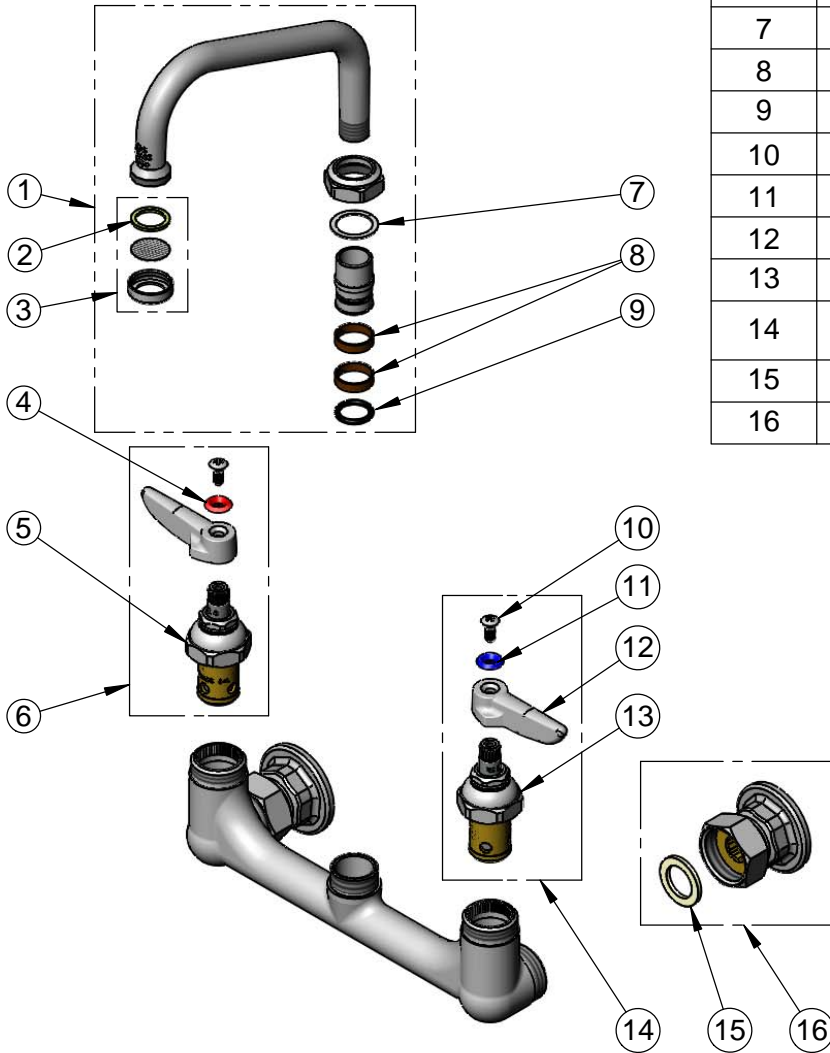
Model No.

B-0232

Item No.

Travelers Rest, SC: 800-476-4103 • Simi Valley, CA: 800-423-0150 • Fax: 864-834-3518 • www.tsbrass.com

ITEM NO.	SALES NO.	DESCRIPTION
1	059X	6" Swing Nozzle
2	001048-45	Nozzle Tip Washer
3	B-PT	Stream Regulator Outlet
4	001661-45	Red Index-HW
5	005960-40	Eterna Cartridge, RTC
6	002714-40	Eterna Cartridge, RTC w/ Handle, Index & Screw
7	009538-45	Swivel Washer
8	011429-45	Swivel Sleeves (2)
9	001074-45	O-Ring
10	000922-45	Lever Handle Screw
11	001660-45	Blue Index-CW
12	001638-45	Lever Handle
13	005959-40	Eterna Cartridge, LTC
14	002713-40	Eterna Cartridge, LTC w/ Handle, Index & Screw
15	001019-45	Coupling Nut Washer
16	00AA	1/2" NPT Female Eccentric Flange



Product Specifications:

8" Wall Mount Mixing Faucet, Eterna Cartridges, Lever Handles,
6" Swing Nozzle & 1/2" NPT Female Inlets

Product Compliance:

ASME A112.18.1 / CSA B125.1
NSF 61 - Section 9
NSF 372 (Low Lead Content)
ANSI A117.1 (ADA)



T&S BRASS AND BRONZE WORKS, INC.

2 SADDLEBACK COVE / P.O. BOX 1088 / TRAVELERS REST, SC 29690
PHONE 800-476-4103 FAX 864-834-3518



REG.#A2601
ISO #9002

Model No.

B-0232-BST

Item No.:

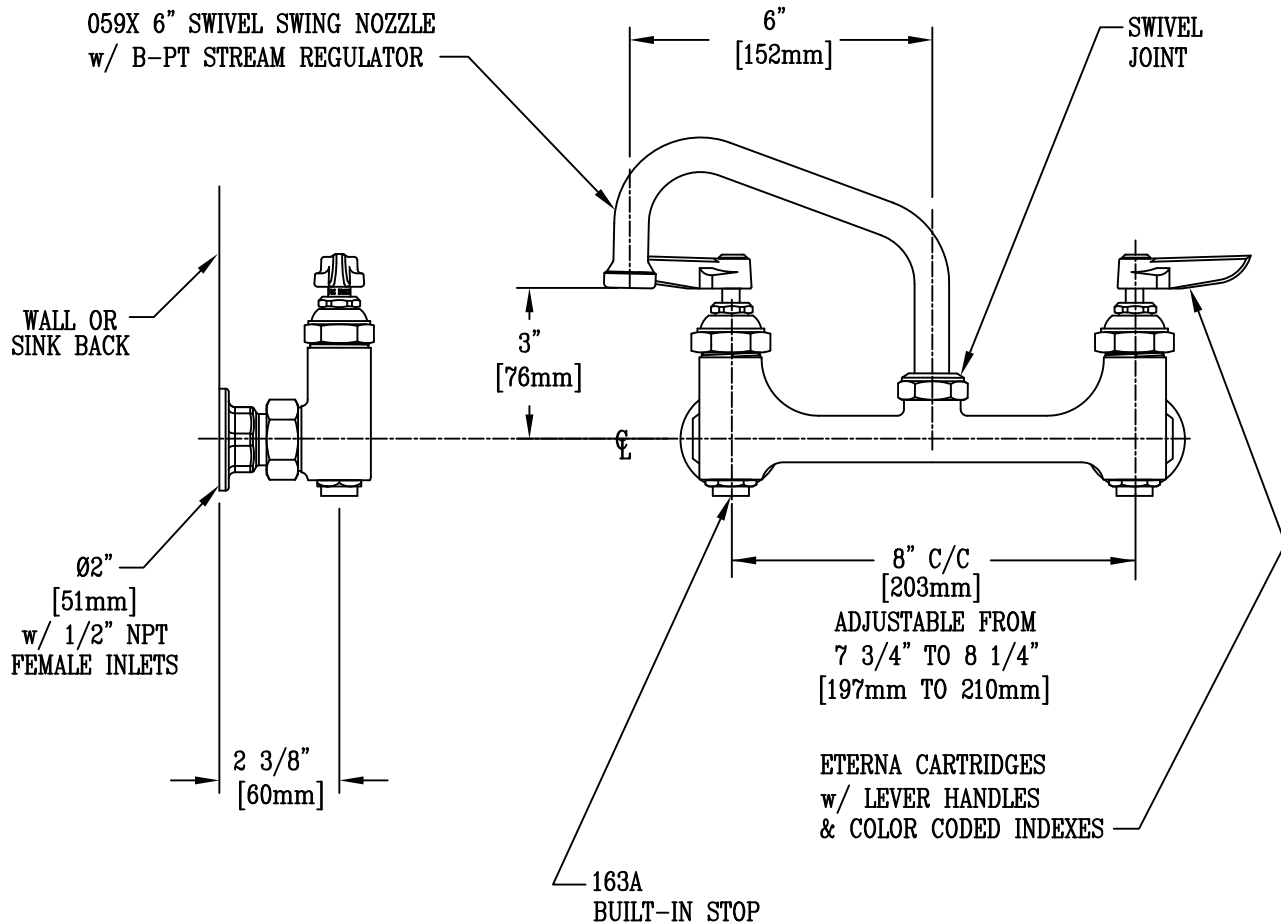
Job Name:

Architect/Engineer Approval:

Notes:



ADA COMPLIANT



NOTES :

1. ALSO AVAILABLE WITH B-WH4" OR B-WH6" WRIST ACTION BLADE HANDLES.
2. ALSO AVAILABLE WITH MODEL #B-SD SOAP DISH
3. NOZZLE SWINGS 360°
4. ALSO AVAILABLE WITH B-0199-01 NON-SPLASH AERATOR.
5. BST PROVIDES INDIVIDUAL SHUT-OFF OF EACH VALVE WHEN MAINTENANCE IS REQUIRED.

Product Description:

8" c/c SWIVEL WALL MOUNT FAUCET, 6" SWING NOZZLE w/ STREAM REGULATOR, Ø2" WALL FLANGES w/ 1/2" NPT ADJUSTABLE FEMALE INLETS & BUILT-IN STOPS

Drawn:

DHL

Checked

KJG

Scale:

1:4

Approved

JHB

Date:

07/01/10



T&S BRASS AND BRONZE WORKS, INC.

2 Saddleback Cove / P.O. Box 1088
Travelers Rest, SC 29690



REG. #A2601
ISO #9001

Model No.

B-0232-F1-CR-SC

Item No.

Travelers Rest, SC: 800-476-4103 Simi Valley, CA: 800-423-0150 Fax: 864-834-3518 www.tsbrass.com

This Space for Architect/Engineer Approval

Job Name _____ Date _____

Model Specified _____ Quantity _____

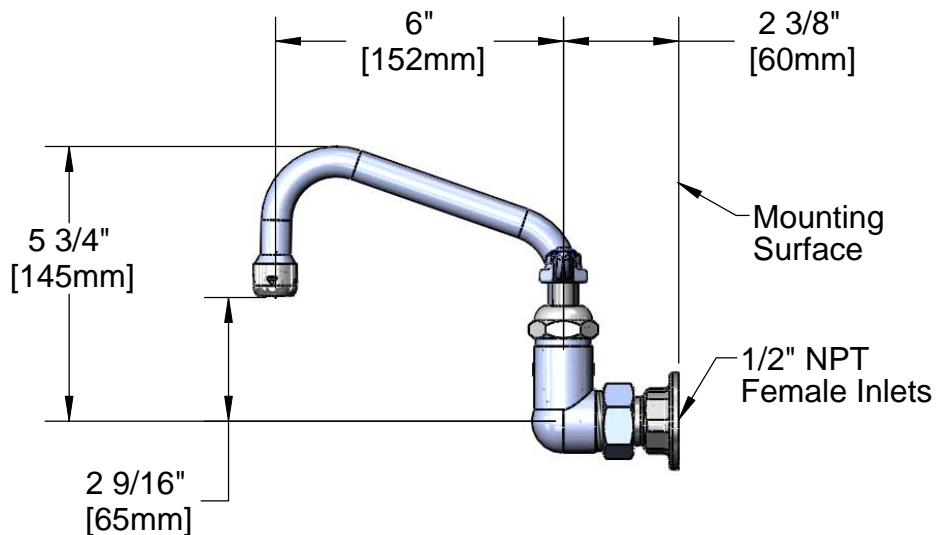
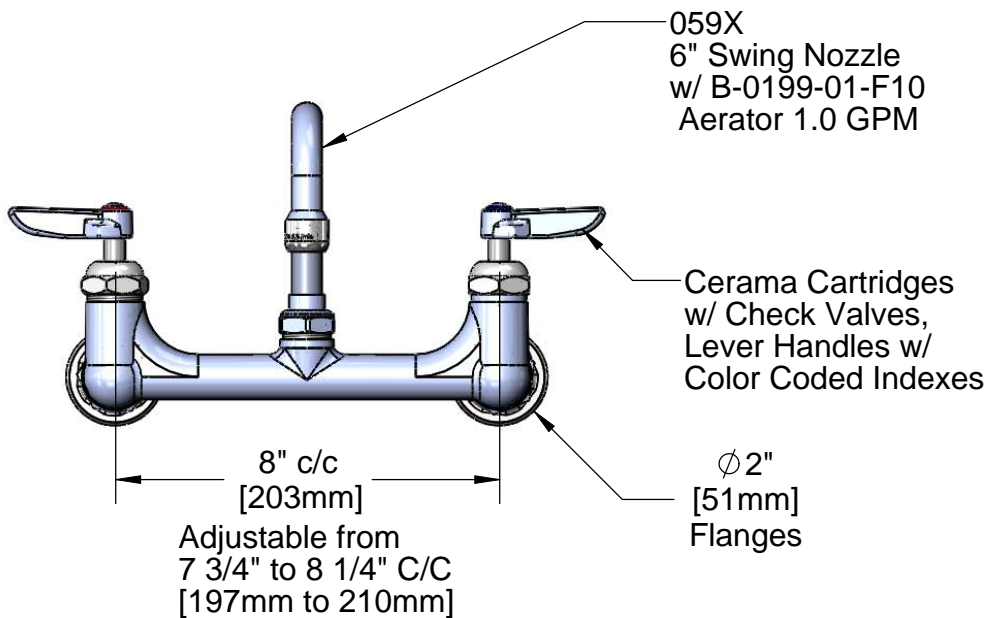
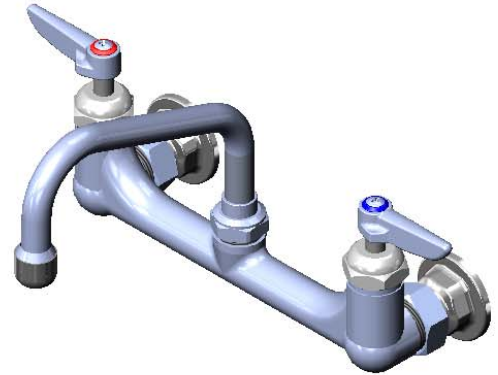
Customer/Wholesaler _____

Contractor _____

Architect/Engineer _____



ADA Compliant



Product Specifications:

8" c/c Wall Mount Mixing Faucet, Cerama Cartridges w/ Check Valves, Lever Handles, 6" Swing Nozzle, 1.0 GPM Aerator, & 1/2" Female Inlets

Drawn
KJG

Checked

Approved
JHB

Scale:

1:4

Date:

10/08/10



T&S BRASS AND BRONZE WORKS, INC.

2 Saddleback Cove / P.O. Box 1088
Travelers Rest, SC 29690



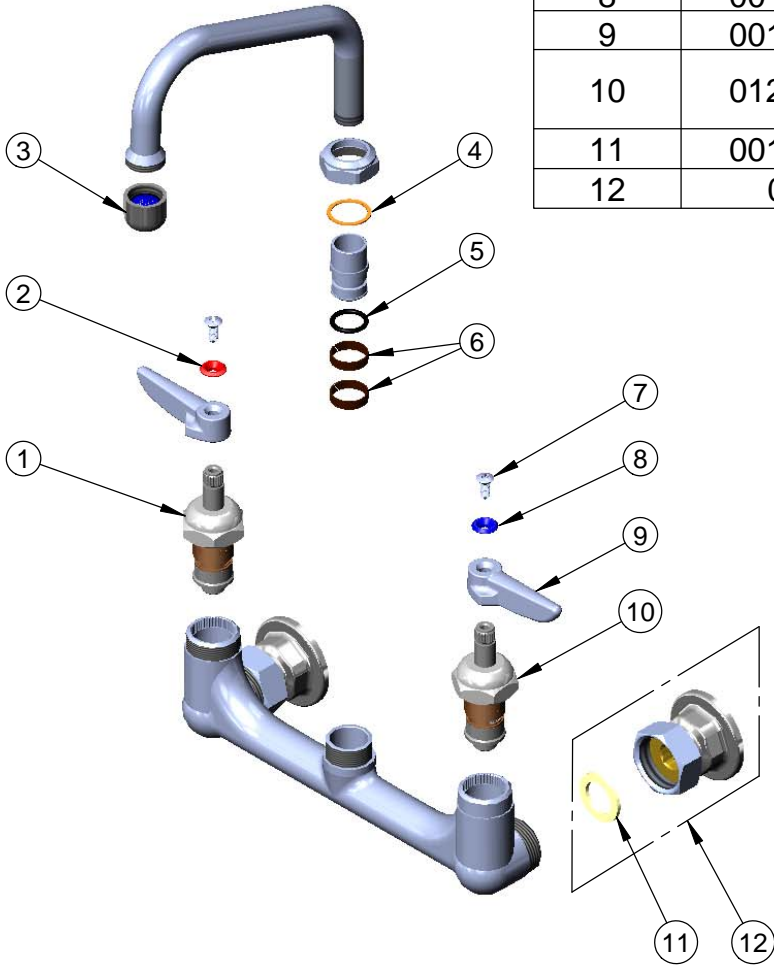
REG. #A2601
ISO #9001

Model No.
B-0232-F1-CR-SC

Item No.

Travelers Rest, SC: 800-476-4103 Simi Valley, CA: 800-423-0150 Fax: 864-834-3518 www.tsbrass.com

ITEM NO.	SALES NO.	DESCRIPTION
1	012394-25	Cerama Cartridge, RTC w/ Check Valve
2	001661-45	Red Index-HW
3	B-0199-01-F10	1.0 GPM Aerator, Female
4	009538-45	Swivel Washer
5	001074-45	O-Ring
6	011429-45	Swivel Sleeve
7	000922-45	Lever Handle Screw
8	001660-45	Blue Index-CW
9	001638-45	Lever Handle
10	012395-25	Cerama Cartridge, LTC w/ Check Valve
11	001019-45	Coupling Nut Washer
12	00AA	Flange Assembly



Product Specifications:

8" c/c Wall Mount Mixing Faucet, Cerama Cartridges w/ Check Valves, Lever Handles, 6" Swing Nozzle, 1.0 GPM Aerator, & 1/2" Female Inlets

Drawn KJG	Checked DMH	Approved JHB
Scale: NTS		Date: 10/08/10



T&S BRASS AND BRONZE WORKS, INC.

2 SADDLEBACK COVE / P.O. BOX 1088 / TRAVELERS REST, SC 29690
(803) 834-4102 TELEX 57-0311 FAX (803) 834-3518

Model No.

B-0233-01

Item No.:

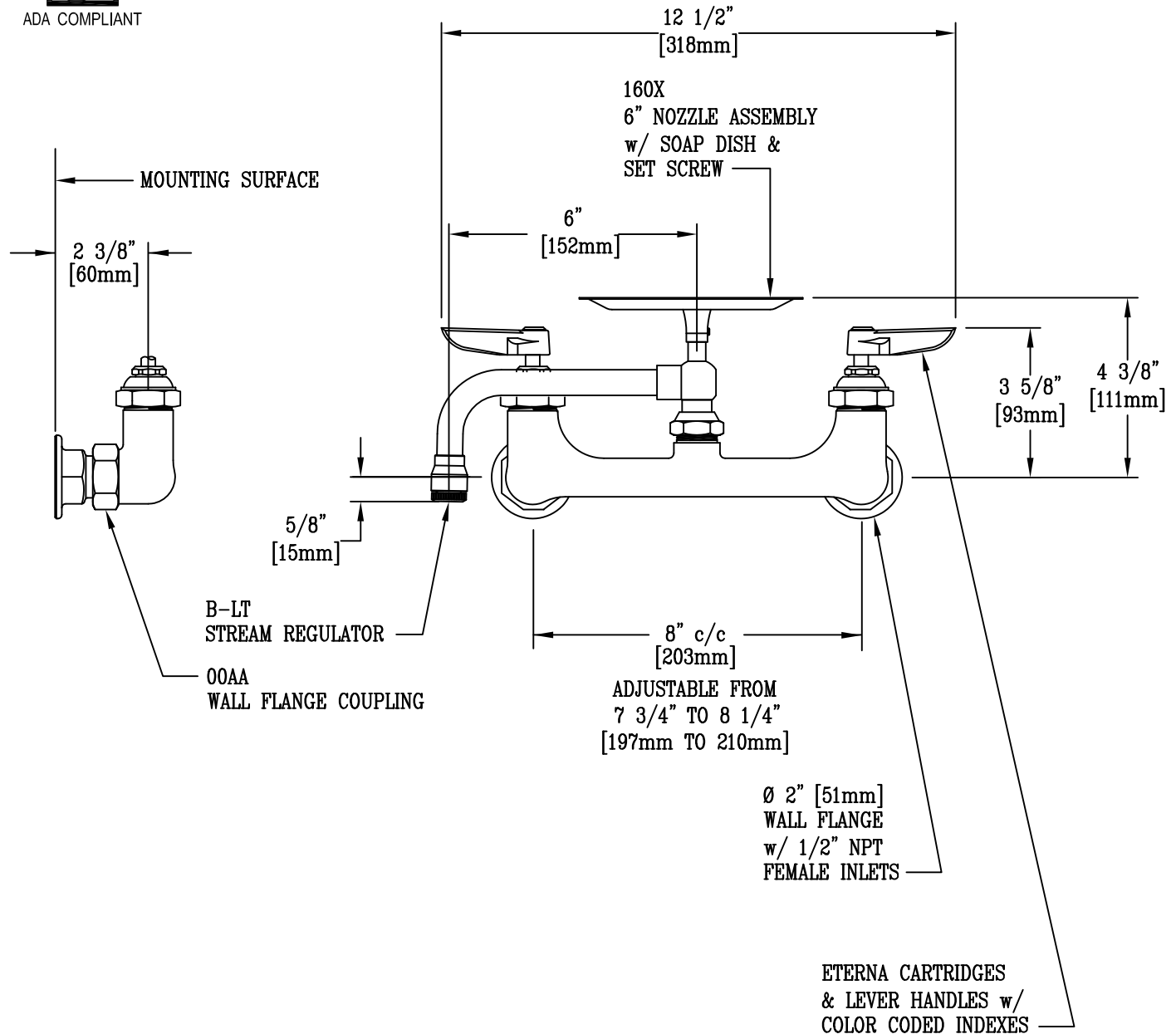
Job Name:

Architect/Engineer Approval:

Notes:



ADA COMPLIANT



NOTES:

1. SOAP DISH TURNS WITH NOZZLE.

Product Description:

8" c/c WALL MOUNT MIXING FAUCET, LEVER HANDLES,
6" NOZZLE ASSEMBLY w/ SOAP DISH ATTACHMENT,
B-LT STREAM REGULATOR & 1/2" NPT FEMALE INLETS

Drawn:

DHL

Checked

KJG

Scale:

1:4

Approved

JHB

Date:

11/10/11



T&S BRASS AND BRONZE WORKS, INC.

2 Saddleback Cove / P.O. Box 1088
Travelers Rest, SC 29690

Model No.

B-2489

Item No.

Travelers Rest, SC: 800-476-4103 • Simi Valley, CA: 800-423-0150 • Fax: 864-834-3518 • www.tsbrass.com



ADA Compliant

This Space for Architect/Engineer Approval

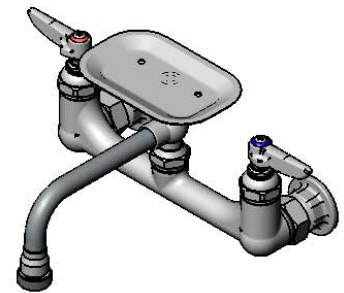
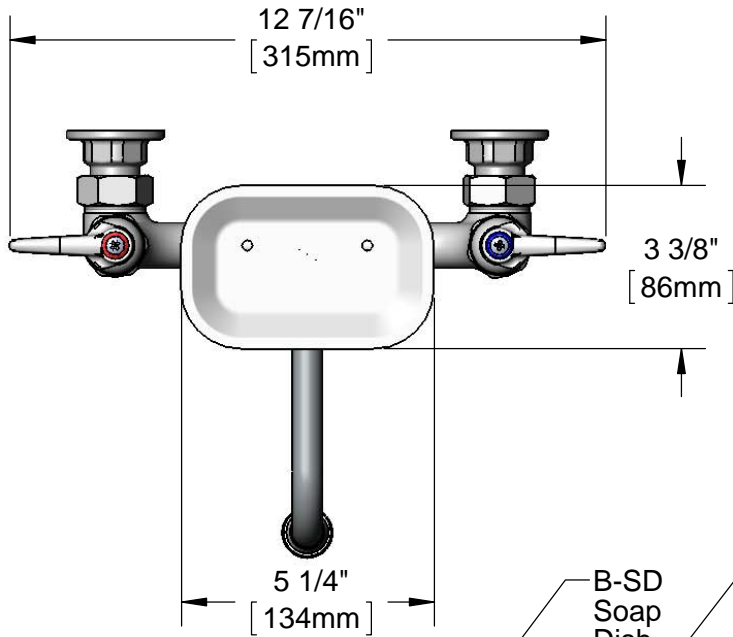
Job Name _____ Date _____

Model Specified _____ Quantity _____

Customer/Wholesaler _____

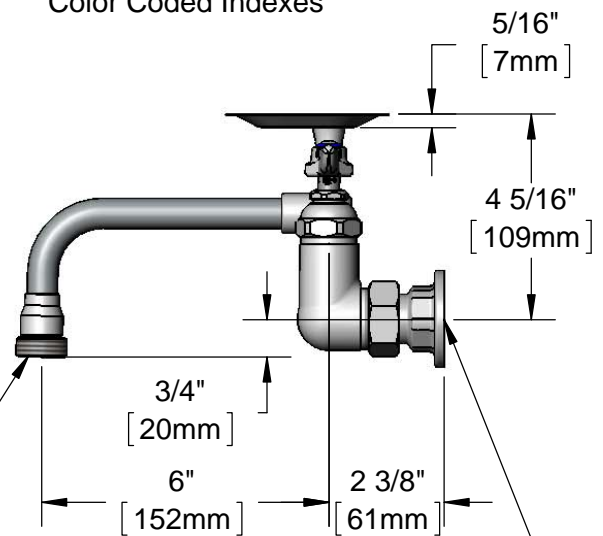
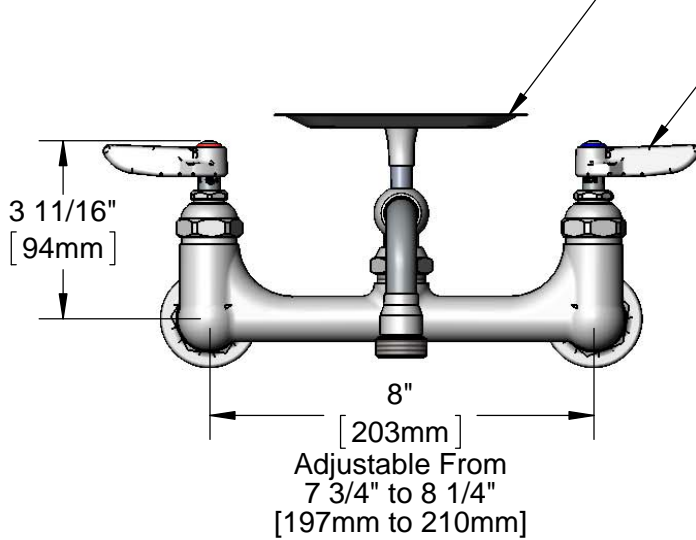
Contractor _____

Architect/Engineer _____



B-SD
Soap
Dish

Eterna Cartridges w/
Spring Checks &
Lever Handles w/
Color Coded Indexes



6" Swing Nozzle w/
B-GH
Garden Hose Male Outlet

Ø2" [51mm]
Flanges w/
1/2" NPT
Female Inlets

Product Specifications:

8" Wall Mount Mixing Faucet, Eterna Cartridges w/ Spring Checks, 6" Swing Nozzle w/ Garden Hose Male Outlet, Soap Dish, Lever Handles & 1/2" NPT Female Inlets

Product Compliance:

ASME A112.18.1 / CSA B125.1
NSF 61 - Section 9
NSF 372 (Low Lead Content)
ANSI A117.1 (ADA)



T&S BRASS AND BRONZE WORKS, INC.

2 Saddleback Cove / P.O. Box 1088
Travelers Rest, SC 29690

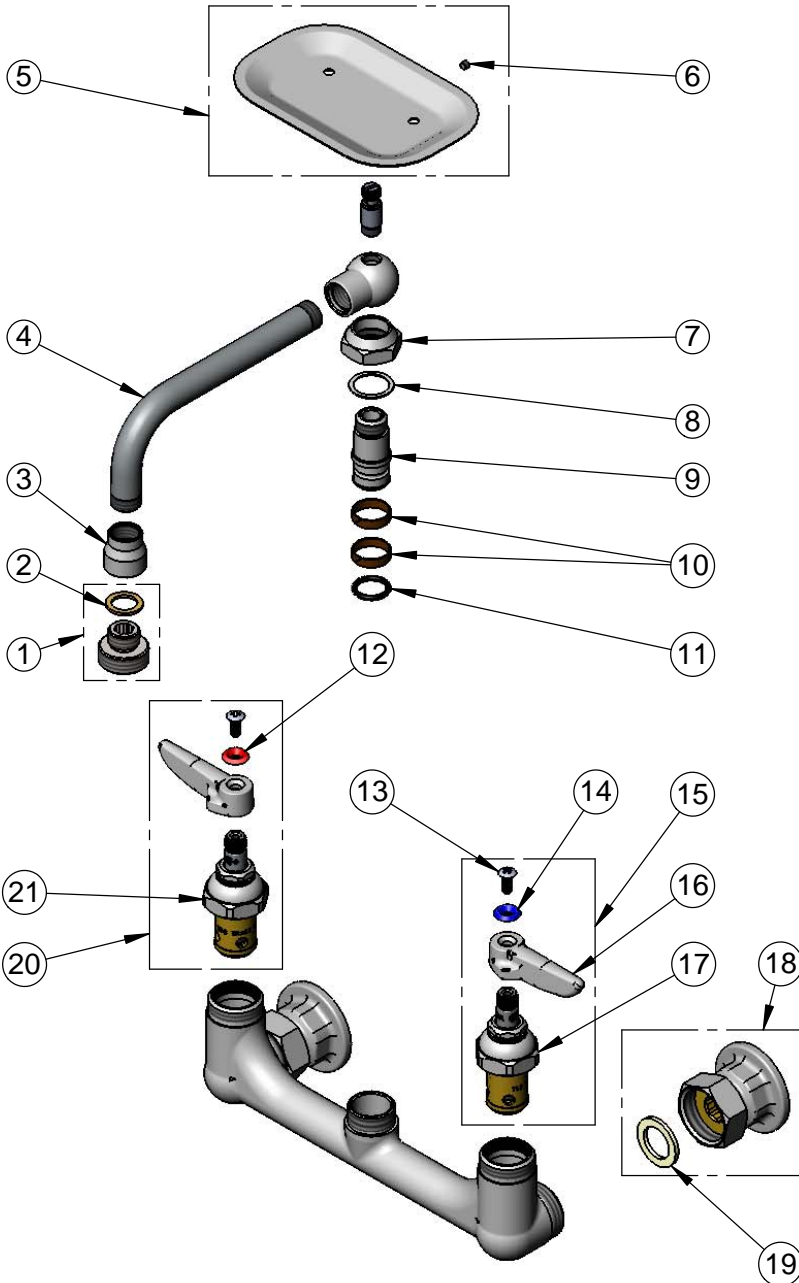
Model No.

B-2489

Item No.

Travelers Rest, SC: 800-476-4103 • Simi Valley, CA: 800-423-0150 • Fax: 864-834-3518 • www.tsbrass.com

ITEM NO.	SALES NO.	DESCRIPTION
1	B-GH	Garden Hose Outlet Adapter
2	001043-45	Washer
3	000557-25	Bell Adapter, 5/8-27 UN Female x 3/8" NPSM Female
4	000285-40	6" Polish Chrome Nozzle
5	B-SD	Soap Dish w/ Set Screw
6	000939-45	Set Screw
7	000711-40	Swivel Nut
8	009E	Plastic Washer
9	000843-25	Swivel Body
10	011429-45	Swivel Sleeves (2)
11	001074-45	O-Ring
12	001661-45	Red Index - HW
13	000922-45	Lever Handle Screw
14	001660-45	Blue Index - CW
15	002711-40	Eterna Cartridge, LTC w/ Spring Check, Lever Handle, Index & Screw
16	001638-45	Lever Handle
17	012442-40	Eterna Cartridge, LTC w/ Spring Check
18	00AA	1/2" NPT Female Eccentric Flange
19	001019-45	Coupling Nut Washer
20	002712-40	Eterna Cartridge, RTC w/ Spring Check, Lever Handle, Index & Screw
21	012443-40	Eterna Cartridge, RTC w/ Spring Check

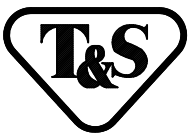


Product Specifications:

8" Wall Mount Mixing Faucet, Eterna Cartridges w/ Spring Checks, 6" Swing Nozzle w/ Garden Hose Male Outlet, Soap Dish, Lever Handles & 1/2" NPT Female Inlets

Product Compliance:

ASME A112.18.1 / CSA B125.1
NSF 61 - Section 9
NSF 372 (Low Lead Content)
ANSI A117.1 (ADA)



T&S BRASS AND BRONZE WORKS, INC.
 2 SADDLEBACK COVE / P.O. BOX 1088 / TRAVELERS REST, SC 29690
 PHONE 800-476-4103 - FAX 864- 834-3518



Model No.

B-0232-ELK

**RELIABILITY
BUILT IN**

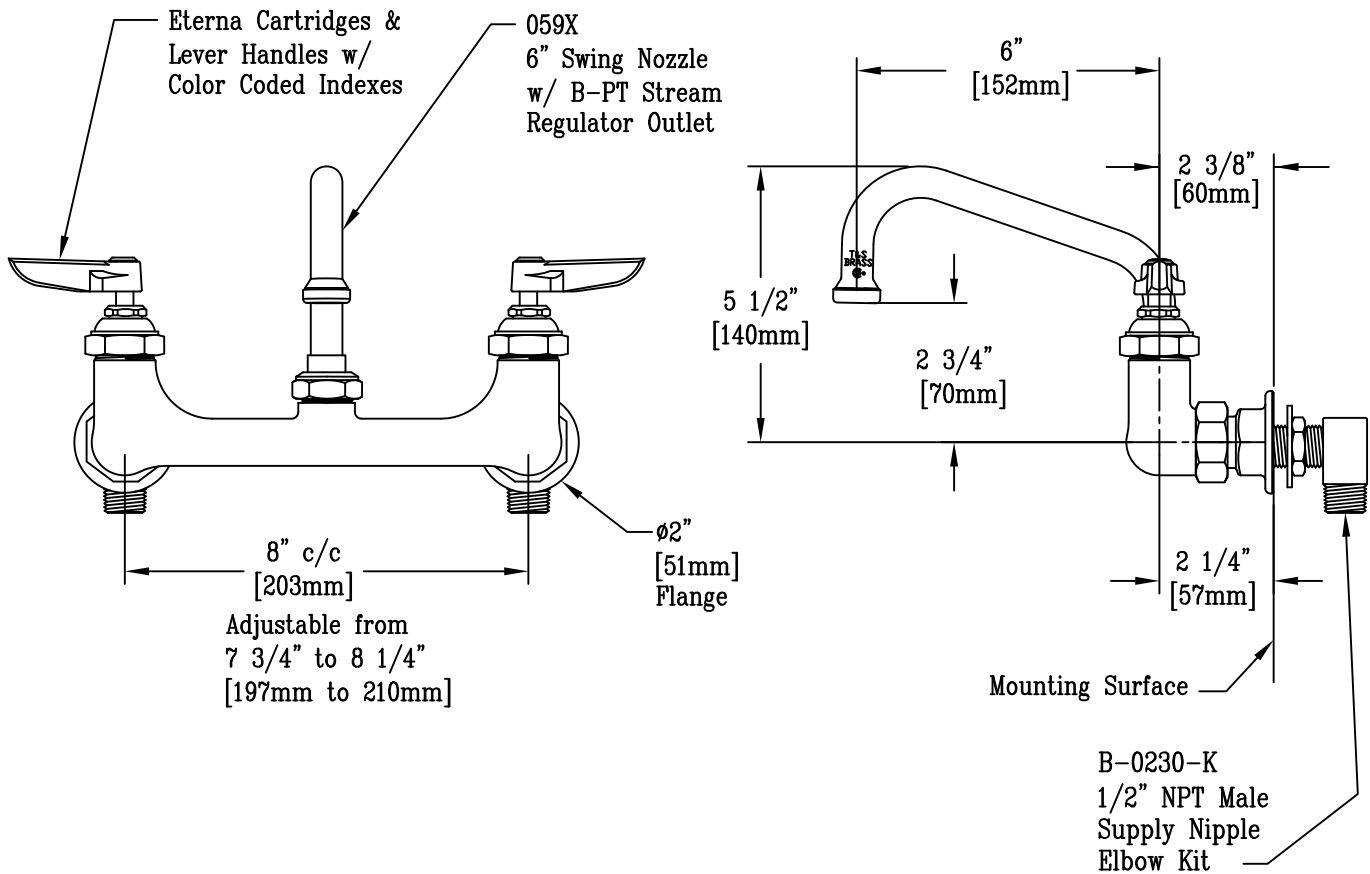
Job Name:

Architect/Engineer Approval:

Notes:



ADA COMPLIANT



NOTE: Rough-In Requirement
 (2) ø1" [25mm] Mounting Holes

Product Description:
 8" c/c Wall Mount Mixing Faucet w/ Eterna Cartridges, Lever Handles, 6" Swing Nozzle, Stream Regulator Outlet, 1/2" NPT Male Supply Nipple Kit

Drawn:	Checked:	Scale:
KJG	DHL	1 : 4
Approved:	Date:	
JHB	12/17/10	



T&S BRASS AND BRONZE WORKS, INC.

2 Saddleback Cove / P.O. Box 1088
Travelers Rest, SC 29690



REG. #A2601
ISO #9001

Model No.

B-0232-CC

Item No.

Travelers Rest, SC: 800-476-4103 Simi Valley, CA: 800-423-0150 Fax: 864-834-3518 www.tsbrass.com

This Space for Architect/Engineer Approval

Job Name _____ Date _____

Model Specified _____ Quantity _____

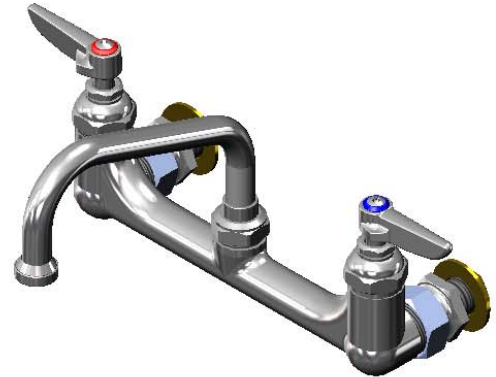
Customer/Wholesaler _____

Contractor _____

Architect/Engineer _____

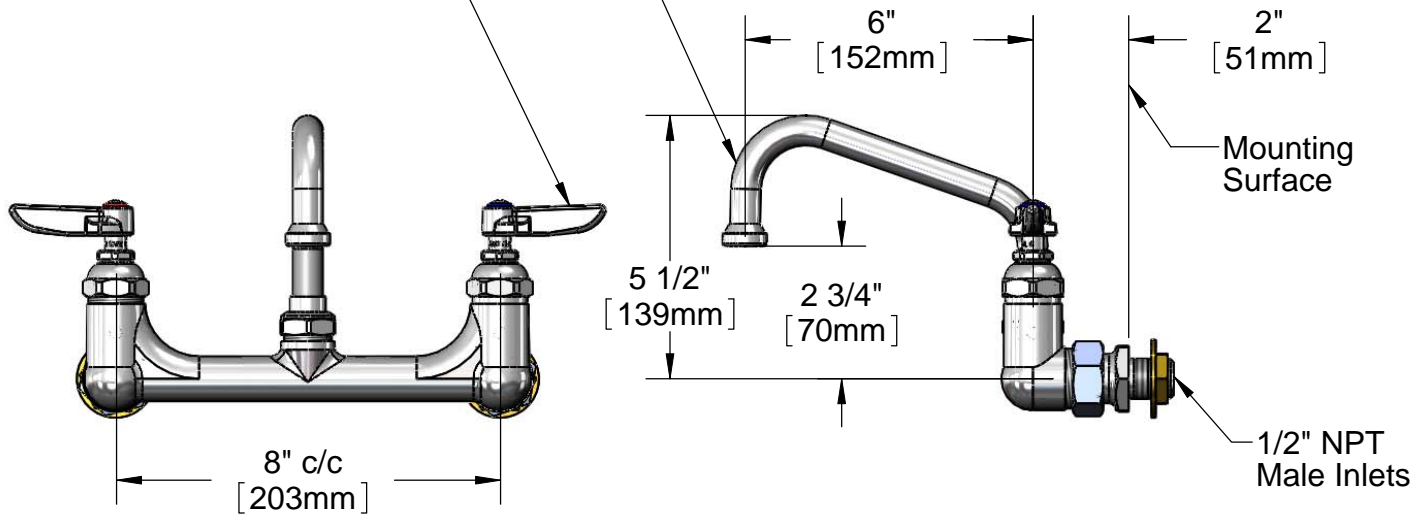


ADA Compliant



059X
6" Swing Nozzle
w/ B-PT Stream
Regulator Outlet

Eterna Cartridges &
Lever Handles w/
Color Coded Indexes



Note: Rough-In Requirement
(2) Ø 1" [25mm] Mounting Holes

Product Specifications:

Sink Mixing Faucet w/ Eterna Cartridges, 6" Swing Nozzle
w/ B-PT Stream Regulator Outlet, Lever Handles & 1/2"
Male Inlets

Drawn
DHL

Checked
JRM

Approved
JHB

Scale:

1:4

Date:

02/17/11



T&S BRASS AND BRONZE WORKS, INC.

2 Saddleback Cove / P.O. Box 1088
Travelers Rest, SC 29690



REG. #A2601
ISO #9001

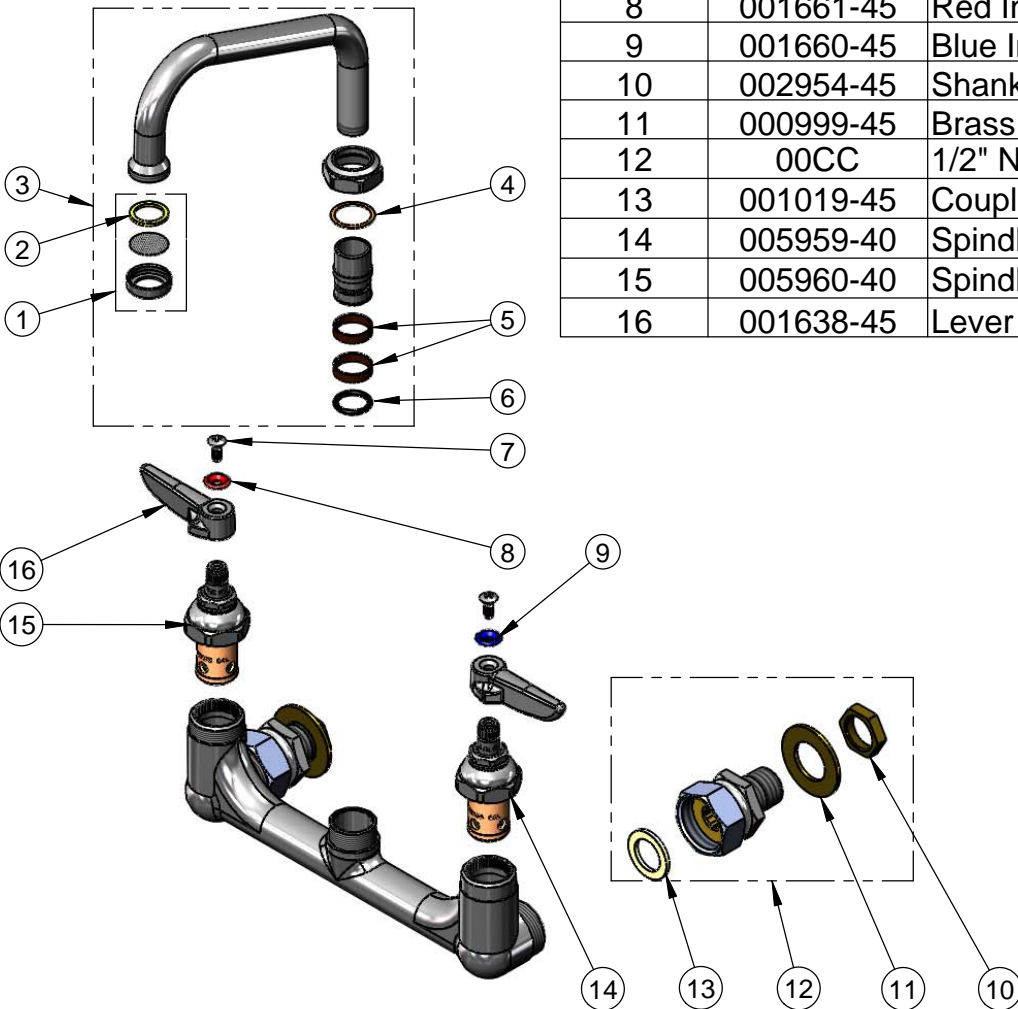
Model No.

B-0232-CC

Item No.

Travelers Rest, SC: 800-476-4103 Simi Valley, CA: 800-423-0150 Fax: 864-834-3518 www.tsbrass.com

ITEM NO.	SALES NO.	DESCRIPTION
1	B-PT	Stream Regulator
2	001048-45	Nozzle Tip Washer
3	059X	6" Swivel Nozzle Assembly
4	009538-45	Swivel Washer
5	011429-45	Swivel Sleeve
6	001074-45	O-Ring
7	000922-45	Lever Handle Screw
8	001661-45	Red Index-HW
9	001660-45	Blue Index-CW
10	002954-45	Shank Lock Nut
11	000999-45	Brass Lock Washer
12	00CC	1/2" NPT Male Inlet Assembly
13	001019-45	Coupling Nut Washer
14	005959-40	Spindle Asm. Eterna "Cold"
15	005960-40	Spindle Asm, Eterna "Hot"
16	001638-45	Lever Handle



Product Specifications:

Sink Mixing Faucet w/ Eterna Cartridges, 6" Swing Nozzle w/ B-PT Stream Regulator Outlet, Lever Handles & 1/2" Male Inlets

Drawn DHL	Checked JRM	Approved JHB
Scale: NTS		Date: 02/17/11



T&S BRASS AND BRONZE WORKS, INC.

2 Saddleback Cove / P.O. Box 1088
Travelers Rest, SC 29690



REG. #A2601
ISO #9001

Model No.

B-0232-CC-CR

Item No.

Travelers Rest, SC: 800-476-4103 Simi Valley, CA: 800-423-0150 Fax: 864-834-3518 www.tsbrass.com

This Space for Architect/Engineer Approval

Job Name _____ Date _____

Model Specified _____ Quantity _____

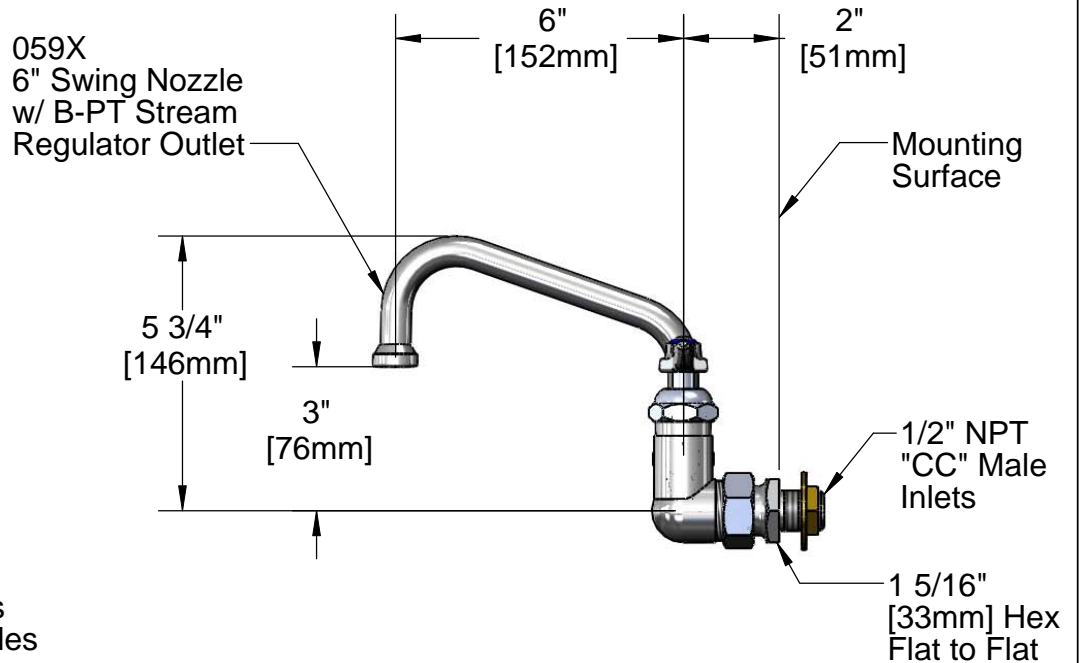
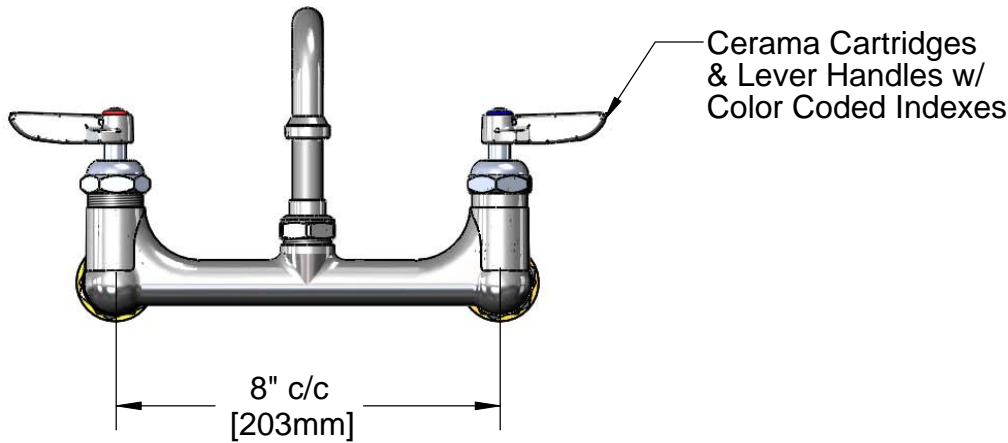
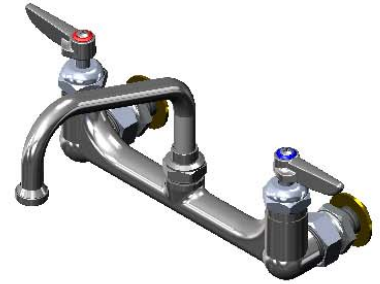
Customer/Wholesaler _____

Contractor _____

Architect/Engineer _____



ADA Compliant



Note: Rough-In Requirements
(2) ϕ 1" [25mm] Mounting Holes

Product Specifications:

8" c/c Double Pantry Faucet w/ Cerama Cartridges, Lever Handles,
6" Swing Nozzle w/ B-PT Stream Regulator Outlet & 1/2" NPT "CC"
Male Inlets

Drawn
KJG

Checked
DMH

Approved
JHB

Scale:

1:4

Date:

07/12/10



T&S BRASS AND BRONZE WORKS, INC.

2 Saddleback Cove / P.O. Box 1088
Travelers Rest, SC 29690



REG. #A2601
ISO #9001

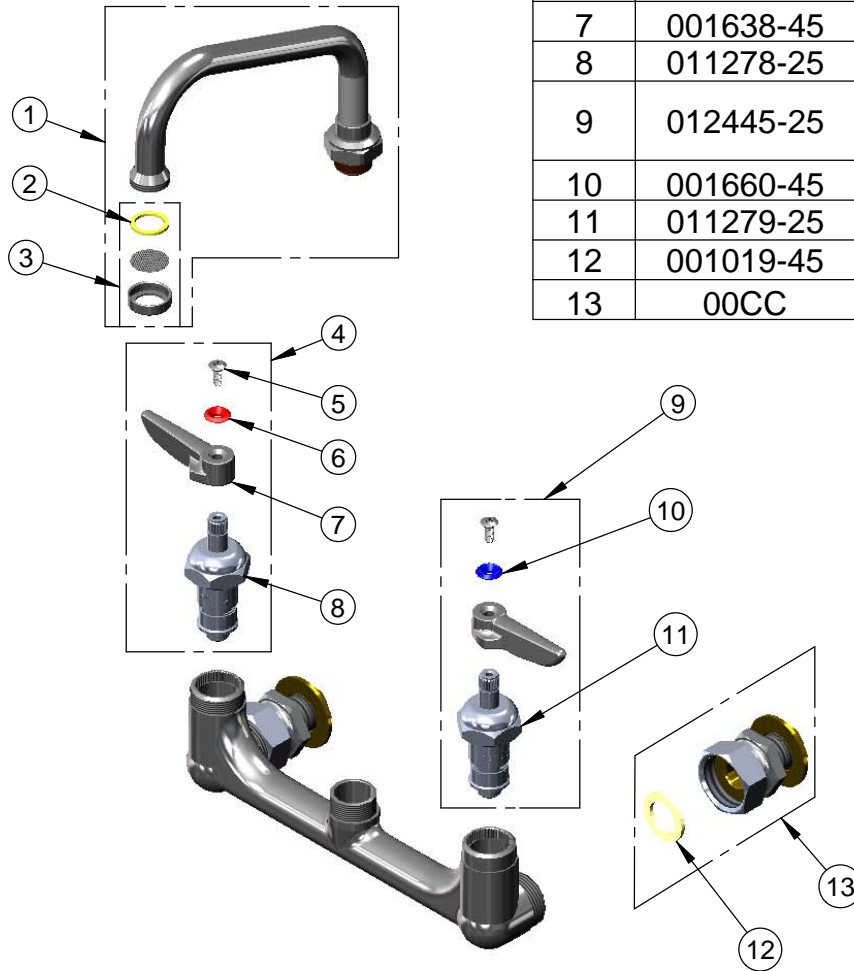
Model No.

B-0232-CC-CR

Item No.

Travelers Rest, SC: 800-476-4103 Simi Valley, CA: 800-423-0150 Fax: 864-834-3518 www.tsbrass.com

ITEM NO.	SALES NO.	DESCRIPTION
1	059X	6" Swing Nozzle
2	001048-45	Nozzle Tip Washer
3	B-PT	Stream Regulator Outlet
4	012444-25	Hot Cerama Cartridge w/ Handle, Index & Screw
5	000922-45	Lever Handle Screw
6	001661-45	Red Index-HW
7	001638-45	Lever Handle
8	011278-25	Ceramic Cartridge RTC
9	012445-25	Cold Cerama Cartridge w/ Handle, Index & Screw
10	001660-45	Blue Index-CW
11	011279-25	Ceramic Cartridge LTC
12	001019-45	Coupling Nut Washer
13	00CC	Male Inlet, 1/2" NPT



Product Specifications:

8" c/c Double Pantry Faucet w/ Cerama Cartridges, Lever Handles,
6" Swing Nozzle w/ B-PT Stream Regulator Outlet & 1/2" NPT "CC"
Male Inlets

Drawn
KJG

Checked
DMH

Approved
JHB

Scale:

1:4

Date:

07/12/10



T&S BRASS AND BRONZE WORKS, INC.
 2 SADDLEBACK COVE / P.O. BOX 1088 / TRAVELERS REST, SC 29690
 PHONE 800-476-4103 FAX 864- 834-3518



Model No.

B-2484

Item No.:

REG.#A2601
ISO #9001

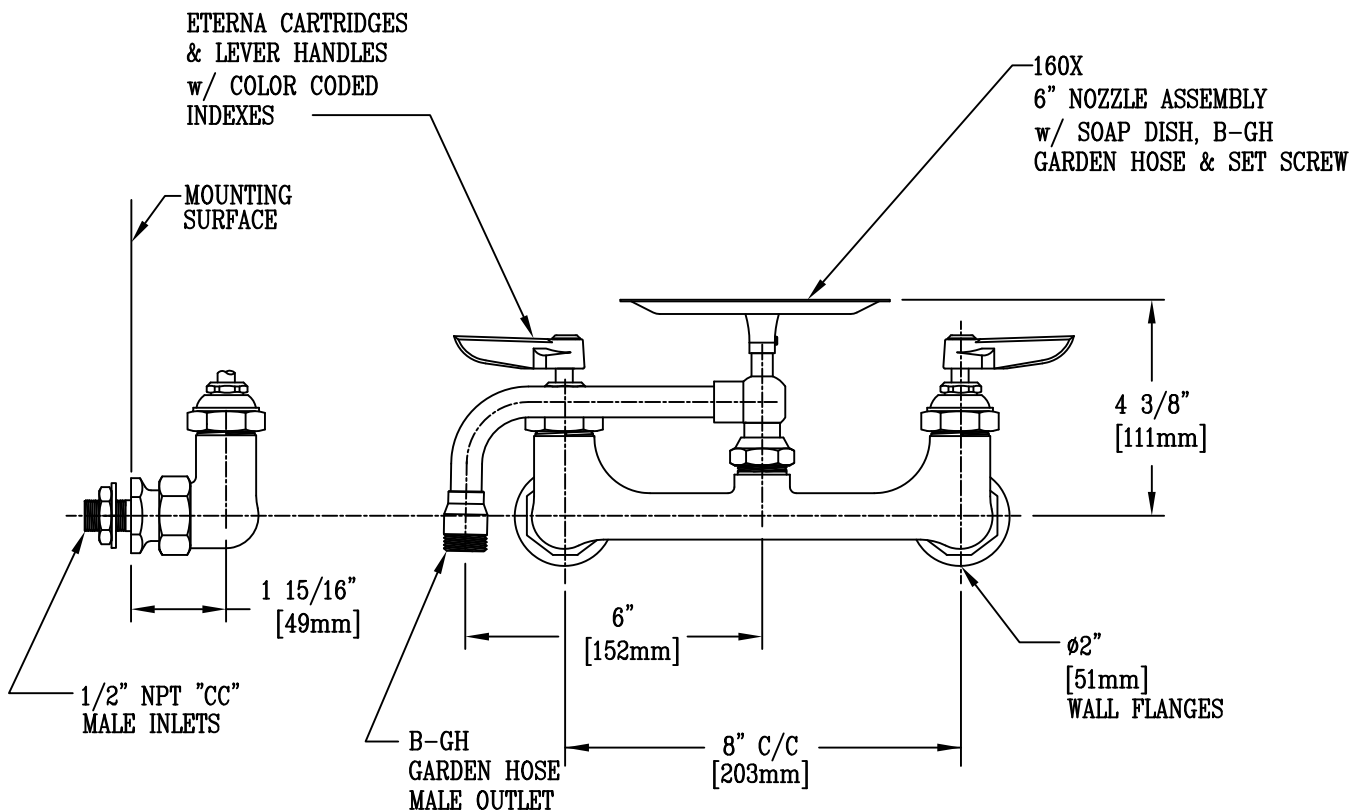
Job Name:

Architect/Engineer Approval:

Notes:



ADA COMPLIANT



NOTES:

1. SOAP DISH TURNS WITH NOZZLE.

Product Description:
 8" c/c WALL MOUNT BASE FCT. w/ 1/2" NPT "CC" MALE INLET, 6" SWING NOZZLE w/ SOAP DISH & LEVER HANDLES

Drawn:

KJG

Checked

DHL

Scale:

1 : 4

Approved

JHB

Date:

10/05/09



T&S BRASS AND BRONZE WORKS, INC.
 2 Saddleback Cove / P.O. Box 1088
 Travelers Rest, SC 29690

Model No.
B-0232-EE

Item No.

Travelers Rest, SC: 800-476-4103 • Simi Valley, CA: 800-423-0150 • Fax: 864-834-3518 • www.tsbrass.com



ADA Compliant

This Space for Architect/Engineer Approval

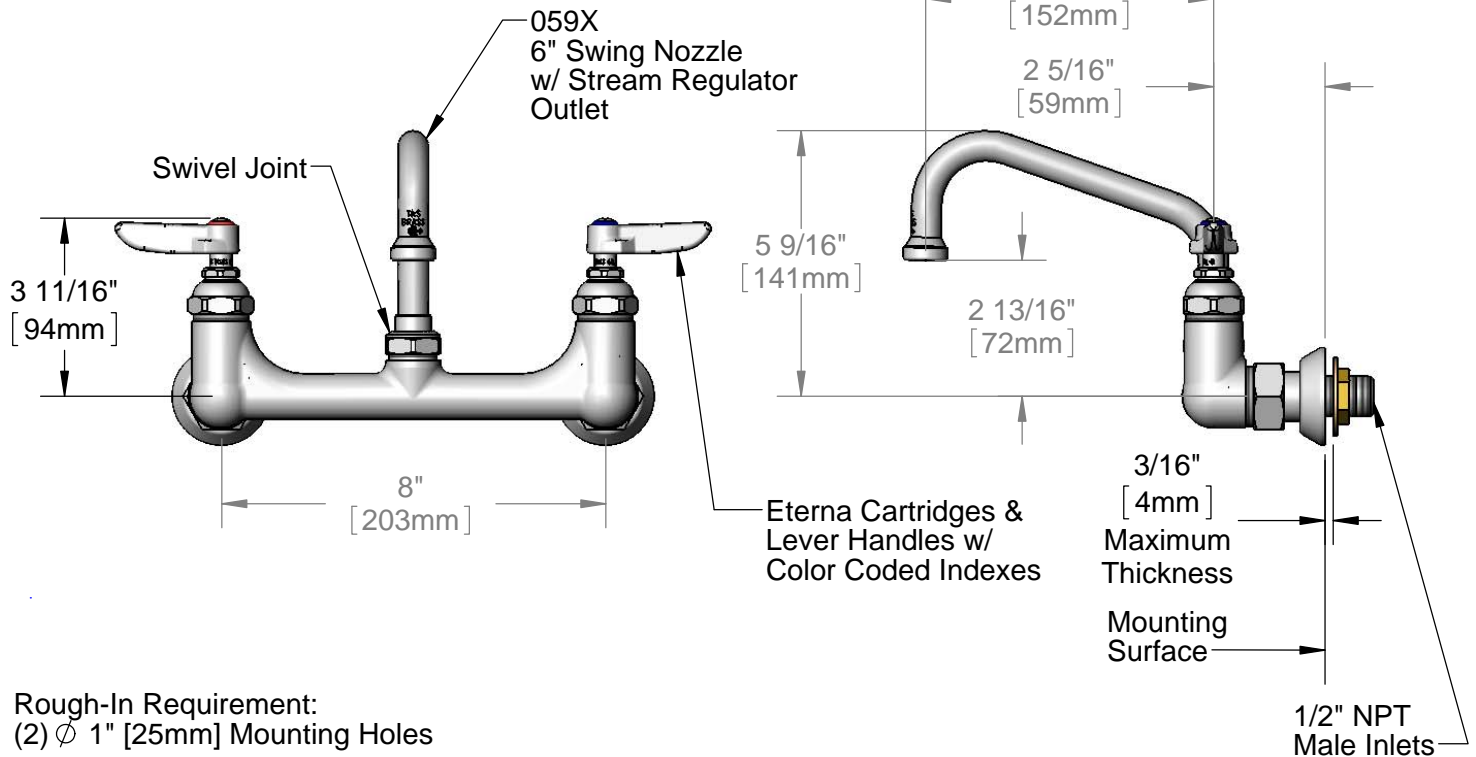
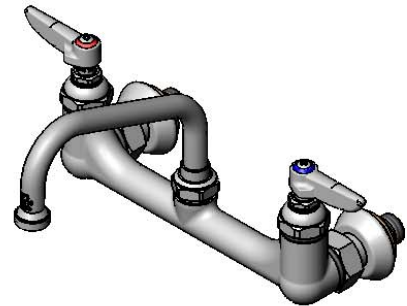
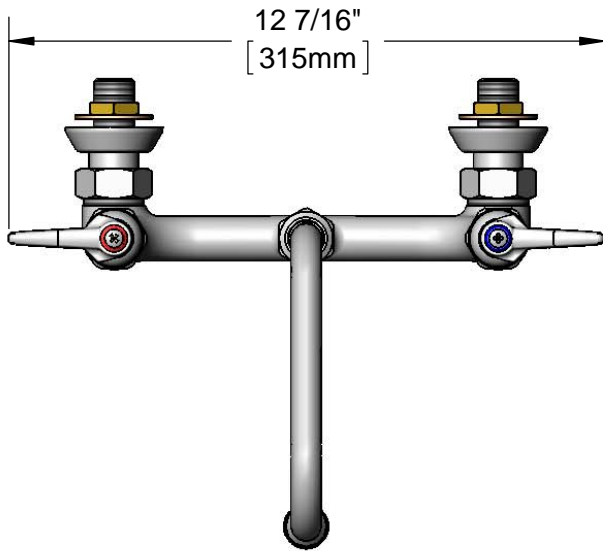
Job Name _____ Date _____

Model Specified _____ Quantity _____

Customer/Wholesaler _____

Contractor _____

Architect/Engineer _____



Rough-In Requirement:
 (2) ϕ 1" [25mm] Mounting Holes

Product Specifications:
 8" Wall Mount Mixing Faucet, Eterna Cartridges, Lever Handles, 6" Swing Nozzle & 1/2" NPT Male Inlets

Product Compliance:
 ASME A112.18.1 / CSA B125.1
 NSF 61 - Section 9
 NSF 372 (Low Lead Content)
 ANSI A117.1 (ADA)



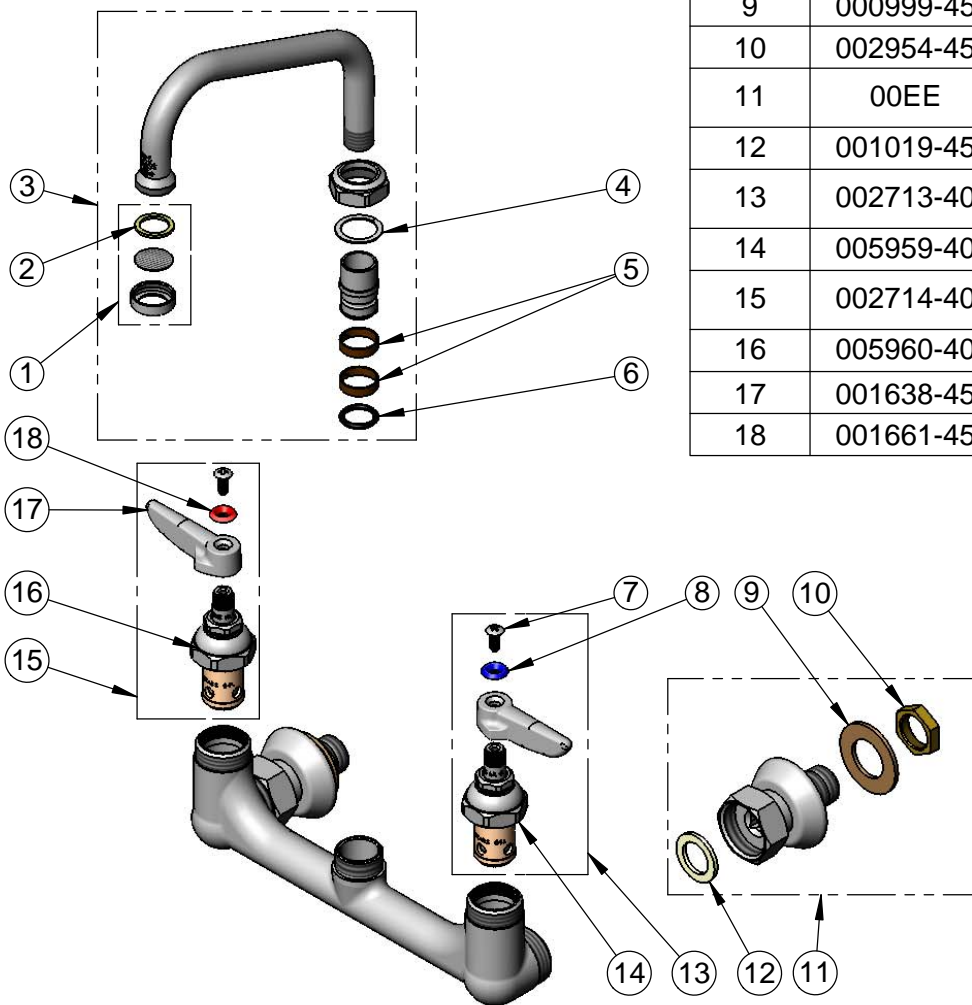
T&S BRASS AND BRONZE WORKS, INC.
 2 Saddleback Cove / P.O. Box 1088
 Travelers Rest, SC 29690

Model No.
B-0232-EE

Item No.

Travelers Rest, SC: 800-476-4103 • Simi Valley, CA: 800-423-0150 • Fax: 864-834-3518 • www.tsbrass.com

ITEM NO.	SALES NO.	DESCRIPTION
1	B-PT	Stream Regulator Outlet
2	001048-45	Nozzle Tip Washer
3	059X	6" Swing Nozzle
4	009538-45	Swivel Washer
5	011429-45	Swivel Sleeves (2)
6	001074-45	O-Ring
7	000922-45	Lever Handle Screw
8	001660-45	Blue Index-CW
9	000999-45	Brass Lock Washer
10	002954-45	Shank Lock Nut
11	00EE	1/2" NPT Male Inlet w/ Adjustable Flange
12	001019-45	Coupling Nut Washer
13	002713-40	Eterna Cartridge, LTC w/ Handle, Index & Screw
14	005959-40	Eterna Cartridge, LTC
15	002714-40	Eterna Cartridge, RTC w/ Handle, Index & Screw
16	005960-40	Eterna Cartridge, RTC
17	001638-45	Lever Handle
18	001661-45	Red Index-HW



Product Specifications:
 8" Wall Mount Mixing Faucet, Eterna Cartridges, Lever Handles, 6" Swing Nozzle & 1/2" NPT Male Inlets

Product Compliance:
 ASME A112.18.1 / CSA B125.1
 NSF 61 - Section 9
 NSF 372 (Low Lead Content)
 ANSI A117.1 (ADA)