



T&S BRASS AND BRONZE WORKS, INC.

2 Saddleback Cove / P.O. Box 1088
Travelers Rest, SC 29690



REG. #A2601
ISO #9001

Model No.

B-0230-132XA-CR

Item No.

Travelers Rest, SC: 800-476-4103 • Simi Valley, CA: 800-423-0150 • Fax: 864-834-3518 • www.tsbrass.com

This Space for Architect/Engineer Approval

Job Name _____ Date _____

Model Specified _____ Quantity _____

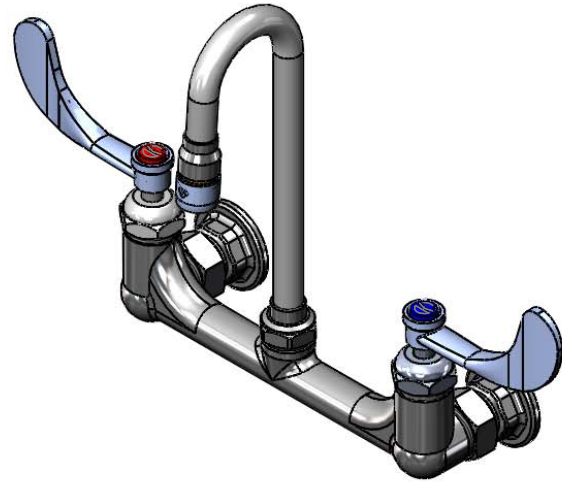
Customer/Wholesaler _____

Contractor _____

Architect/Engineer _____

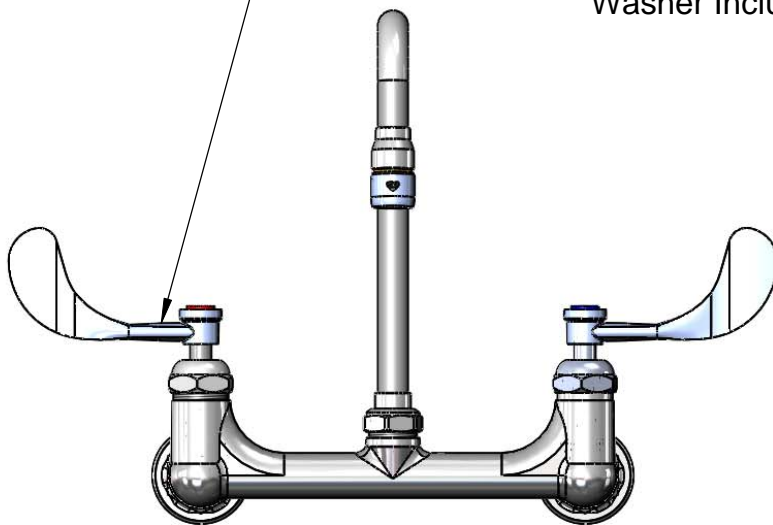


ADA Compliant

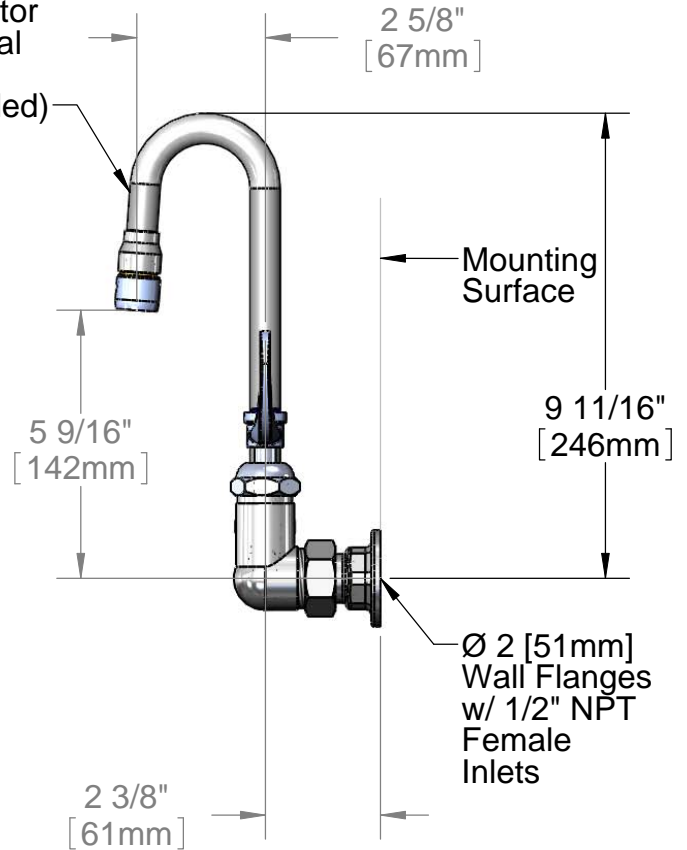


Cerama Cartridges
& Wrist Action
Handles w/ Color
Coded Indexes

Swivel
Gooseneck w/
2.2 GPM Aerator
Outlet (Optional
Swivel/Rigid
Washer Included)



8" c/c
[203mm]
Adjustable from
7 3/4" to 8 1/4"
[197mm to 210mm]



2 5/8"
[67mm]

5 9/16"
[142mm]

Mounting
Surface

9 11/16"
[246mm]

Ø 2 [51mm]
Wall Flanges
w/ 1/2" NPT
Female
Inlets

2 3/8"
[61mm]

Product Specifications:

8" Double Pantry Faucet, Cerama Cartridges, B-WH4 Wrist Action
Handles, 2-5/8" Swing Nozzle w/ 2.2 GPM Aerator Outlet & 00AA
Wall Flanges w/ 1/2" NPT Female Inlets

Drawn

DHL

Checked

JRM

Approved

JHB

Scale:

1:4

Date:

01/17/11



T&S BRASS AND BRONZE WORKS, INC.

2 Saddleback Cove / P.O. Box 1088
Travelers Rest, SC 29690



REG. #A2601
ISO #9001

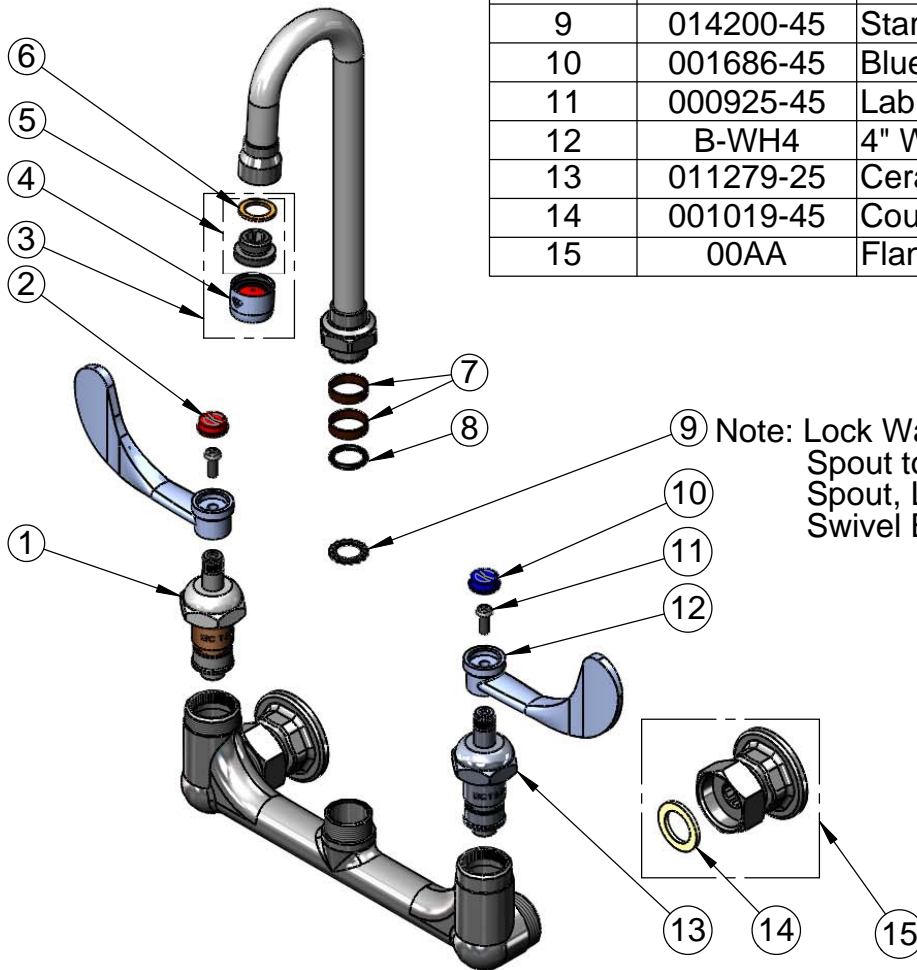
Model No.

B-0230-132XA-CR

Item No.

Travelers Rest, SC: 800-476-4103 • Simi Valley, CA: 800-423-0150 • Fax: 864-834-3518 • www.tsbrass.com

ITEM NO.	SALES NO.	DESCRIPTION
1	011278-25	Cerama Cartridge RTC
2	001194-45	Red HW Index
3	B-0199-02	2.2 GPM Aerator w/ Adapter
4	B-0199-01	2.2 GPM Aerator, Female
5	044A	3/8" to Aerator Adapter
6	001043-45	Washer
7	011429-45	Swivel Sleeve
8	001074-45	O-Ring
9	014200-45	Star Washer, Anti-Rotation
10	001686-45	Blue CW Index
11	000925-45	Lab Handle Screw
12	B-WH4	4" Wrist Action Handle
13	011279-25	Cerama Cartridge LTC
14	001019-45	Coupling Nut Washer
15	00AA	Flange Assembly



Product Specifications:

8" Double Pantry Faucet, Cerama Cartridges, B-WH4 Wrist Action Handles, 2-5/8" Swing Nozzle w/ 2.2 GPM Aerator Outlet & 00AA Wall Flanges w/ 1/2" NPT Female Inlets

Drawn

DHL

Checked

JRM

Approved

JHB

Scale:

NTS

Date:

01/17/11



T&S BRASS AND BRONZE WORKS, INC.

2 SADDLEBACK COVE / P.O. BOX 1088 / TRAVELERS REST, SC 29690

PHONE 800-476-4103

FAX 864-834-3518



REG.#A2601
ISO #9002

Model No.

B-0230-132XA-EL

Item No.:

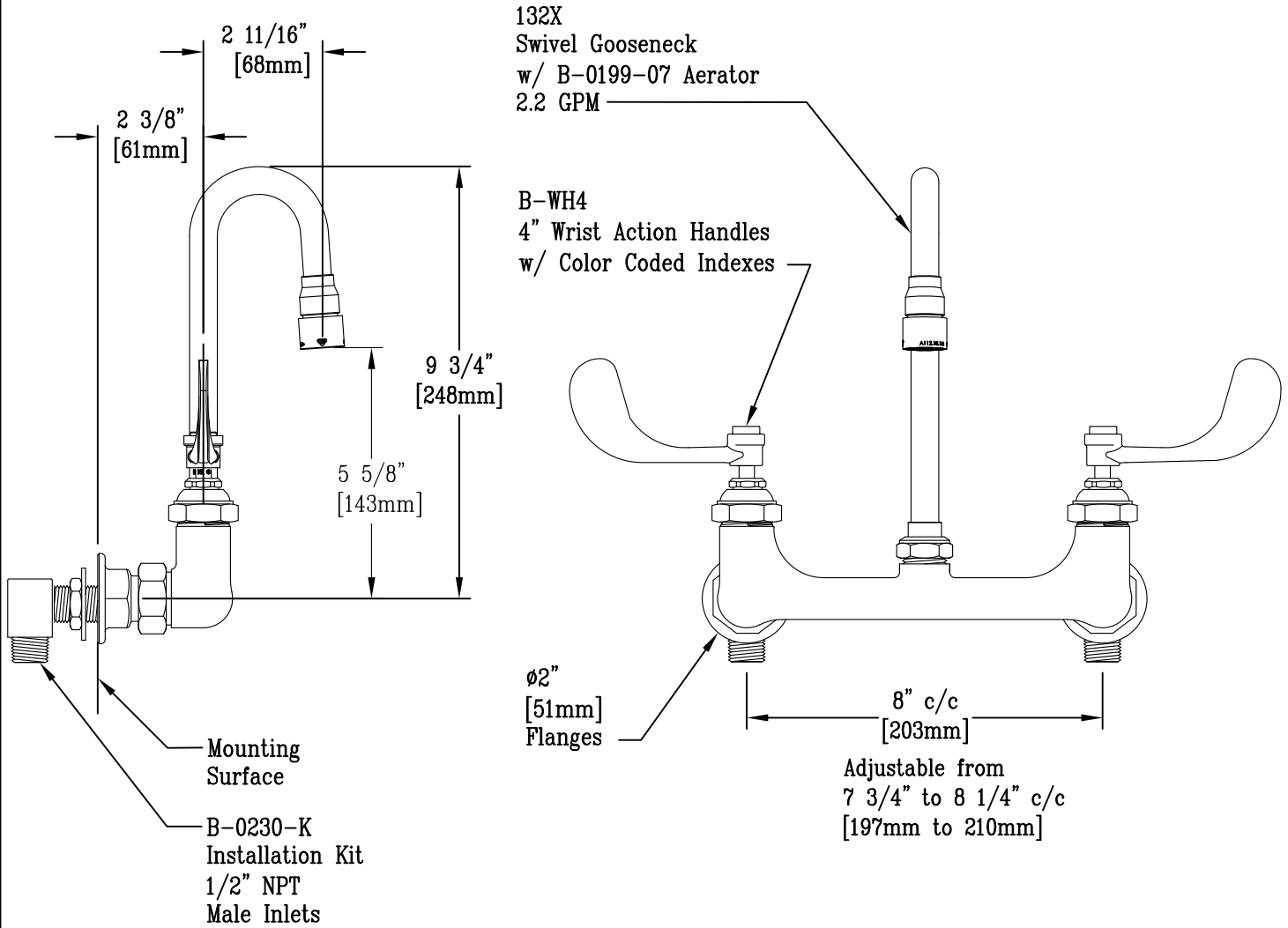
Job Name:

Architect/Engineer Approval:

Notes:



ADA COMPLIANT



Product Description:
8" c/c Wall Mount Faucet, 1/2" NPT Male Inlets,
4" Wrist Action Handles, Swivel Gooseneck w/
Vandal Resistant Aerator & B-0230-K Installation Kit

Drawn:
KJG
Approved
JHB

Checked
DMH

Scale:
1 : 4
Date:
03/04/11