



T&S BRASS AND BRONZE WORKS, INC.

2 Saddleback Cove / P.O. Box 1088
Travelers Rest, SC 29690



REG. #A2601
ISO #9001

Model No.

B-0230-0CS8-CR

Item No.

Travelers Rest, SC: 800-476-4103 • Simi Valley, CA: 800-423-0150 • Fax: 864-834-3518 • www.tsbrass.com

This Space for Architect/Engineer Approval

Job Name _____ Date _____

Model Specified _____ Quantity _____

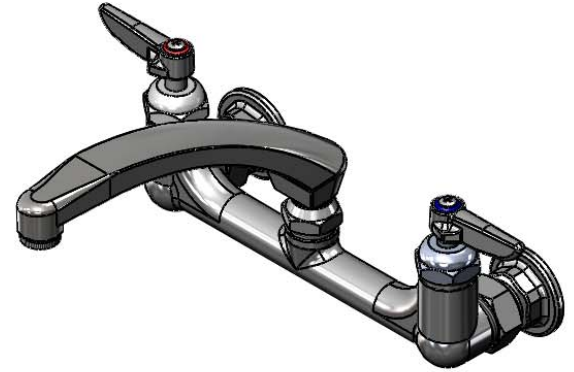
Customer/Wholesaler _____

Contractor _____

Architect/Engineer _____



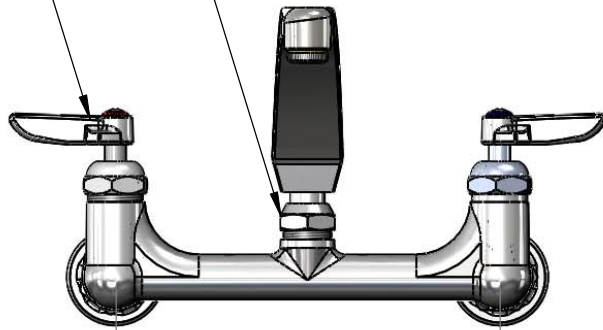
ADA Compliant



Cerama Cartridges
& Lever Handles w/
Color Coded Indexes

Swivel
Joint

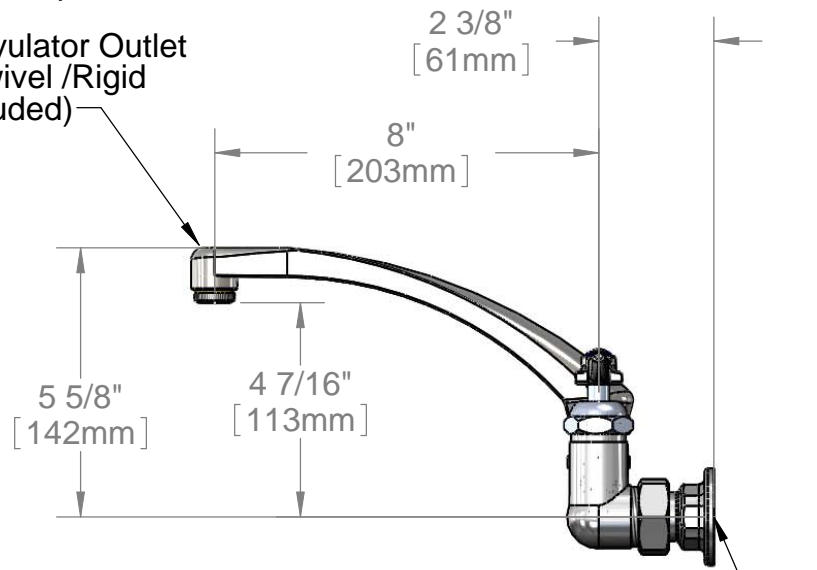
OCS8-LT
8" Swivel Cast Spout w/
B-LT
Stream Regulator Outlet
(Optional Swivel/Rigid
Washer Included)



8"

[203mm]

Adjustable from
7 3/4" to 8 1/4"
[197mm to 210mm]



2 3/8"
[61mm]

8"
[203mm]

5 5/8"
[142mm]

4 7/16"
[113mm]

Ø 2" [51mm]
Wall Flanges
w/ 1/2" NPT
Female Inlets

Rough-In Requirements:
(2) Ø 1" [25mm] Mounting Holes

Product Specifications:

8" Wall Mount Faucet, Cerama Cartridges, 8" Swivel Cast Spout,
1/2" NPT Wall Flange Inlets & Swivel to Rigid Spout Lock Washer

Drawn

DHL

Checked

JRM

Approved

JHB

Scale:

1:4

Date:

01/17/11



T&S BRASS AND BRONZE WORKS, INC.

2 Saddleback Cove / P.O. Box 1088
 Travelers Rest, SC 29690



REG. #A2601
 ISO #9001

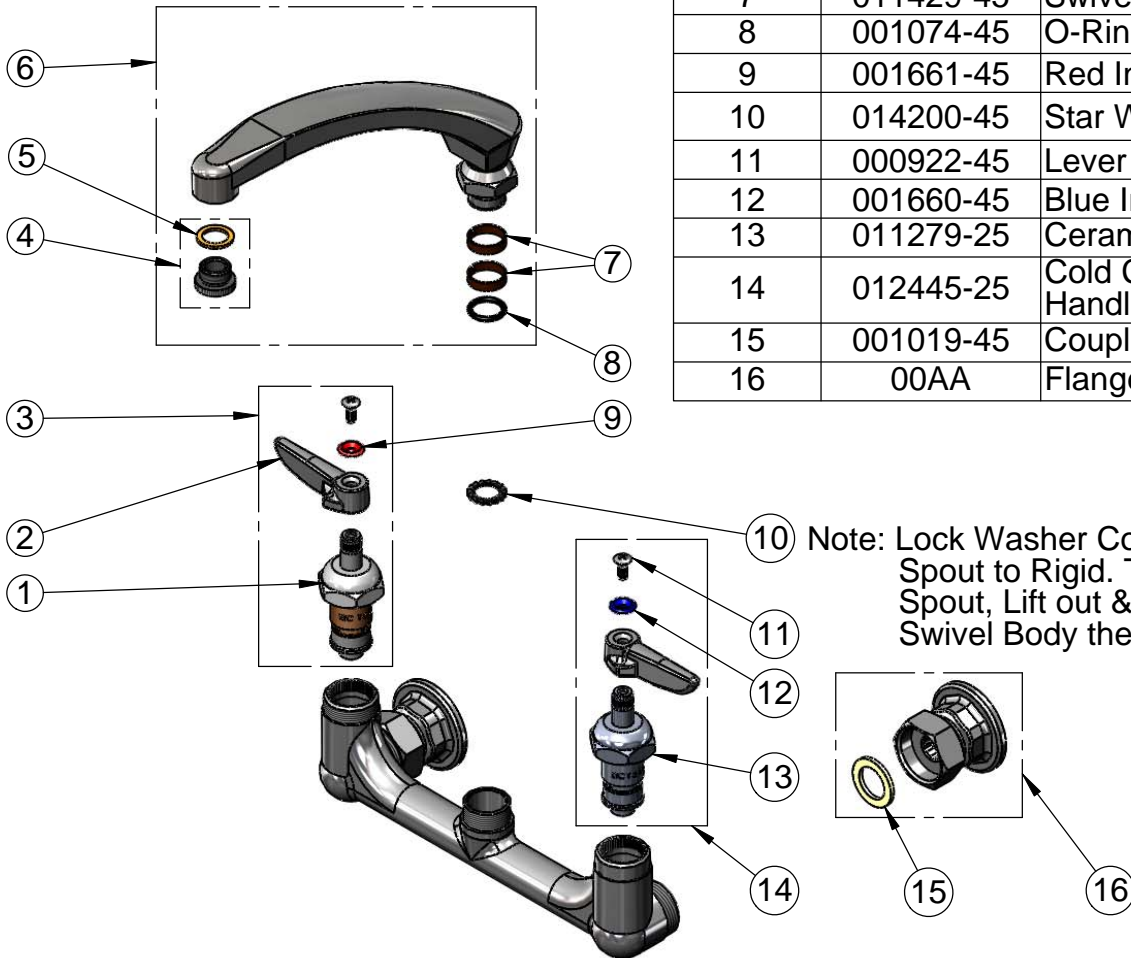
Model No.

B-0230-0CS8-CR

Item No.

Travelers Rest, SC: 800-476-4103 • Simi Valley, CA: 800-423-0150 • Fax: 864-834-3518 • www.tsbrass.com

ITEM NO.	SALES NO.	DESCRIPTION
1	011278-25	Cerama Cartridge RTC
2	001638-45	Lever Handle
3	012444-25	Hot Cerama Cartridge w/ Handle, Index & Screw
4	B-LT	Stream Regulator Outlet
5	001043-45	Washer
6	0CS8-LT	8" Swivel Cast Spout w/ B-LT Stream Regulator
7	011429-45	Swivel Sleeve
8	001074-45	O-Ring
9	001661-45	Red Index-HW
10	014200-45	Star Washer, Anti-Rotation
11	000922-45	Lever Handle Screw
12	001660-45	Blue Index-CW
13	011279-25	Cerama Cartridge LTC
14	012445-25	Cold Cerama Cartridge w/ Handle, Index & Screw
15	001019-45	Coupling Nut Washer
16	00AA	Flange Assembly



Product Specifications:

8" Wall Mount Faucet, Cerama Cartridges, 8" Swivel Cast Spout, 1/2" NPT Wall Flange Inlets & Swivel to Rigid Spout Lock Washer

Drawn DHL	Checked JRM	Approved JHB
Scale: NTS		Date: 01/17/11