



# T&S BRASS AND BRONZE WORKS, INC.

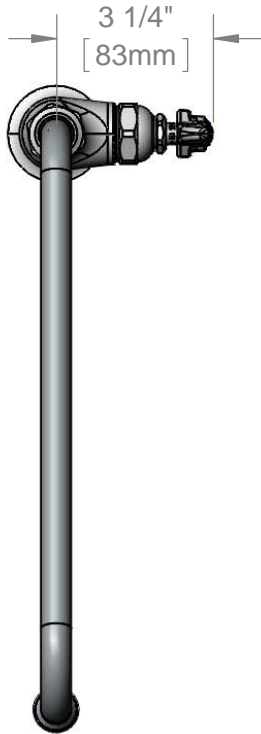
2 Saddleback Cove / P.O. Box 1088  
Travelers Rest, SC 29690

Model No.

**B-0206**

Item No.

Travelers Rest, SC: 800-476-4103 • Simi Valley, CA: 800-423-0150 • Fax: 864-834-3518 • www.tsbrass.com



**ADA Compliant**

This Space for Architect/Engineer Approval

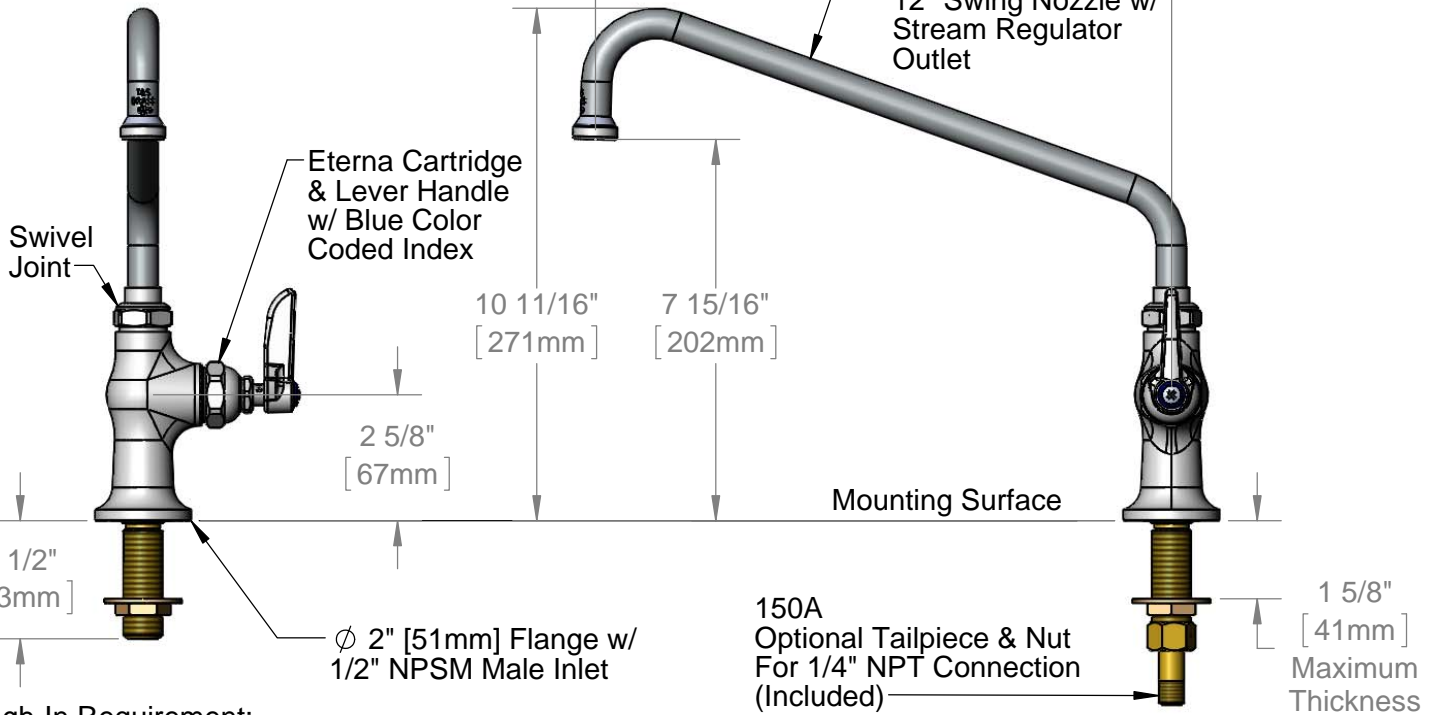
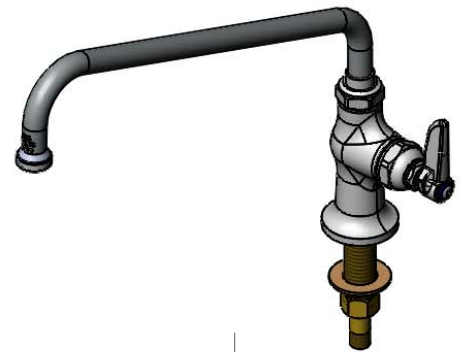
Job Name \_\_\_\_\_ Date \_\_\_\_\_

Model Specified \_\_\_\_\_ Quantity \_\_\_\_\_

Customer/Wholesaler \_\_\_\_\_

Contractor \_\_\_\_\_

Architect/Engineer \_\_\_\_\_



Rough-In Requirement:  
Ø 1" [25mm] Mounting Hole

Product Specifications:  
Single Hole Single Temperature Deck Mount Faucet, Eterna Cartridge, Lever Handle, 12" Swing Nozzle & 1/2" NPSM Male Inlet

Product Compliance:  
ASME A112.18.1 / CSA B125.1  
NSF 61 - Section 9  
NSF 372 (Low Lead Content)  
ANSI A117.1 (ADA)



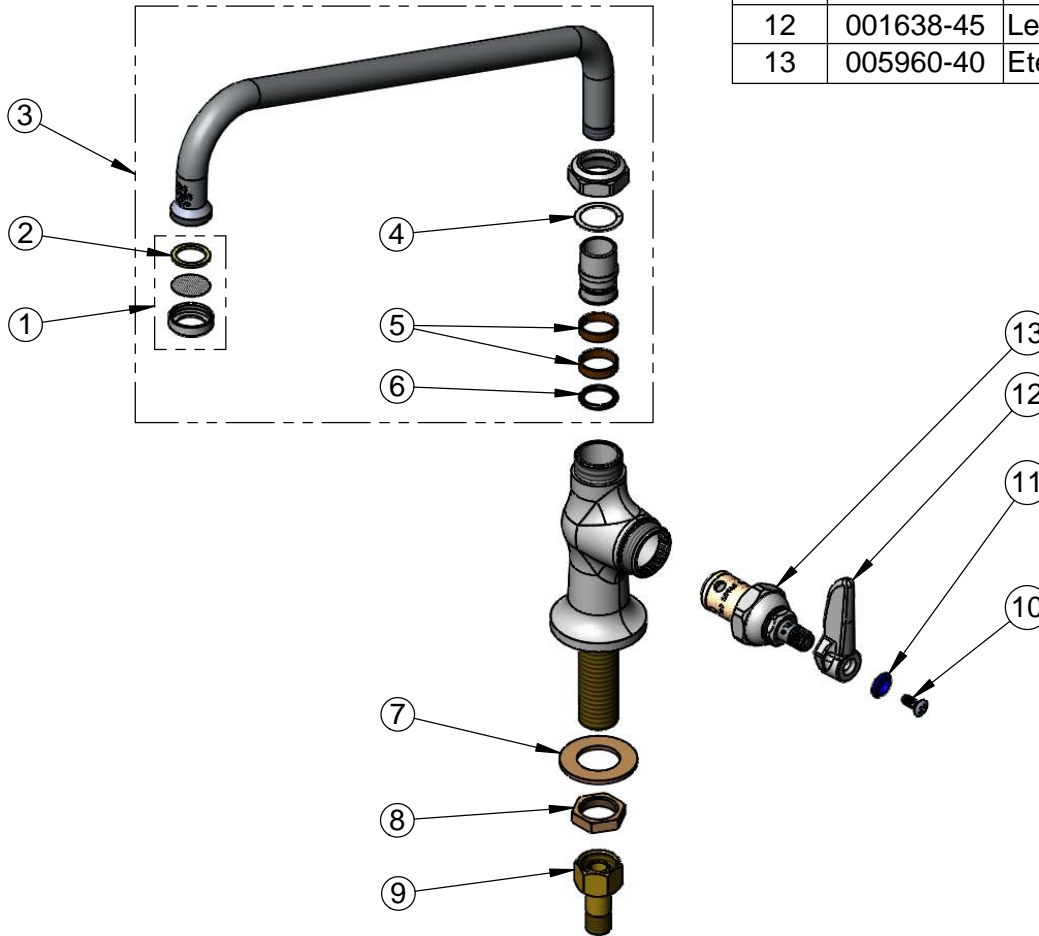
**T&S BRASS AND BRONZE WORKS, INC.**  
 2 Saddleback Cove / P.O. Box 1088  
 Travelers Rest, SC 29690

Model No.  
**B-0206**

Item No.

Travelers Rest, SC: 800-476-4103 • Simi Valley, CA: 800-423-0150 • Fax: 864-834-3518 • www.tsbrass.com

| ITEM NO. | SALES NO. | DESCRIPTION              |
|----------|-----------|--------------------------|
| 1        | B-PT      | Stream Regulator Outlet  |
| 2        | 001048-45 | Nozzle Tip Washer        |
| 3        | 062X      | 12" Swing Nozzle         |
| 4        | 009538-45 | Swivel Washer            |
| 5        | 011429-45 | Swivel Sleeves (2)       |
| 6        | 001074-45 | O-Ring                   |
| 7        | 000999-45 | Brass Lock Washer        |
| 8        | 002954-45 | Shank Lock Nut           |
| 9        | 150A      | 1/4" NPT Tailpiece & Nut |
| 10       | 000922-45 | Lever Handle Screw       |
| 11       | 001660-45 | Blue Index-CW            |
| 12       | 001638-45 | Lever Handle             |
| 13       | 005960-40 | Eterna Cartridge, RTC    |



Product Specifications:  
 Single Hole Single Temperature Deck Mount Faucet, Eterna Cartridge,  
 Lever Handle, 12" Swing Nozzle & 1/2" NPSM Male Inlet

Product Compliance:  
 ASME A112.18.1 / CSA B125.1  
 NSF 61 - Section 9  
 NSF 372 (Low Lead Content)  
 ANSI A117.1 (ADA)



T&S BRASS AND BRONZE WORKS, INC.

2 SADDLEBACK COVE / P.O. BOX 1088 / TRAVELERS REST, SC 29690

PHONE 800-476-4103 - FAX 864- 834-3518



REG. #A2601  
ISO #9001

Model No.

B-0206-CR

RELIABILITY  
BUILT IN

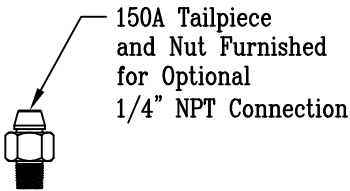
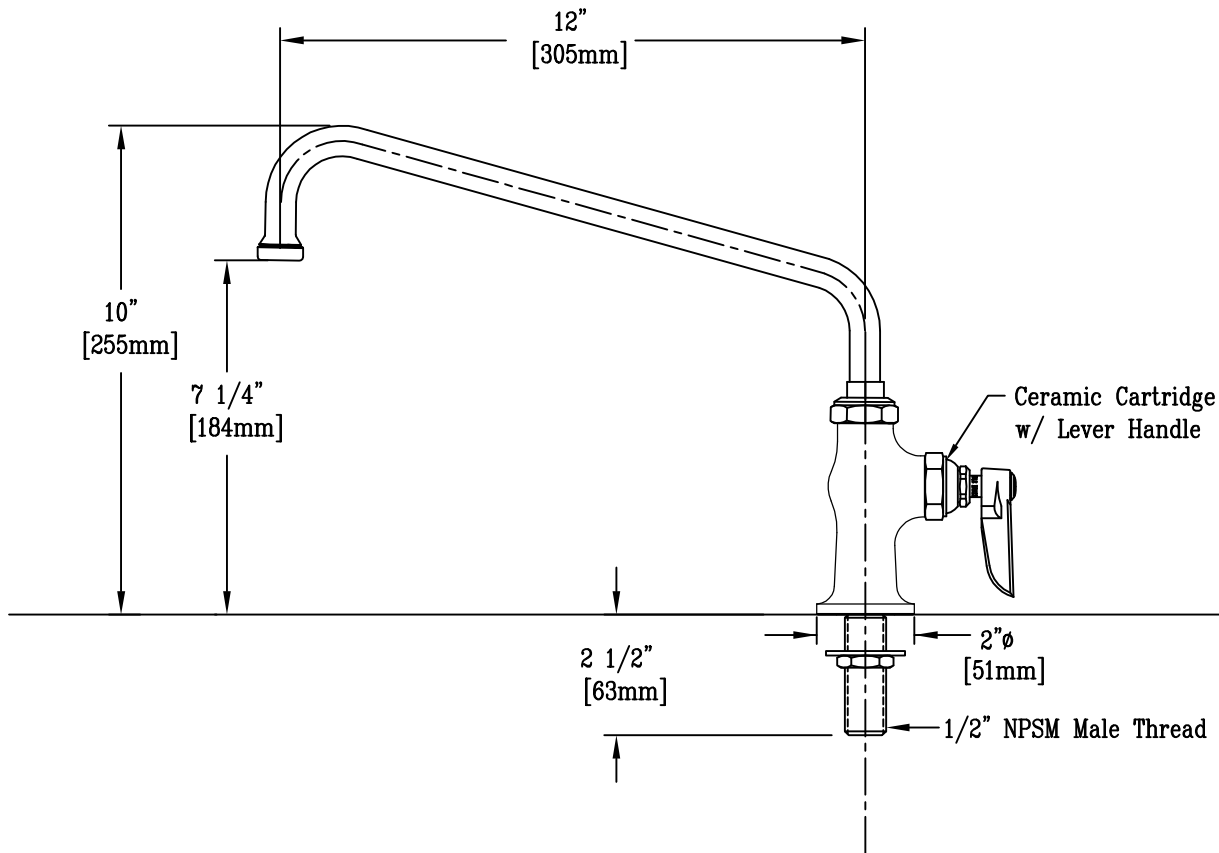
Job Name:

Architect/Engineer Approval:

Notes:



ADA COMPLIANT



Product Description:

Single Pantry Faucet w/ 12" Swing Nozzle and Ceramic Cartridge

Drawn:

WJS

Approved

JHB

Checked

DHL

Scale:

1:4

Date:

04/26/07



T&S BRASS AND BRONZE WORKS, INC.

2 SADDLEBACK COVE / P.O. BOX 1088 / TRAVELERS REST, SC 29690

PHONE 800-476-4103

FAX 864- 834-3518



REG.#A2601  
ISO #9002

Model No.

B-0206-01

Item No.:

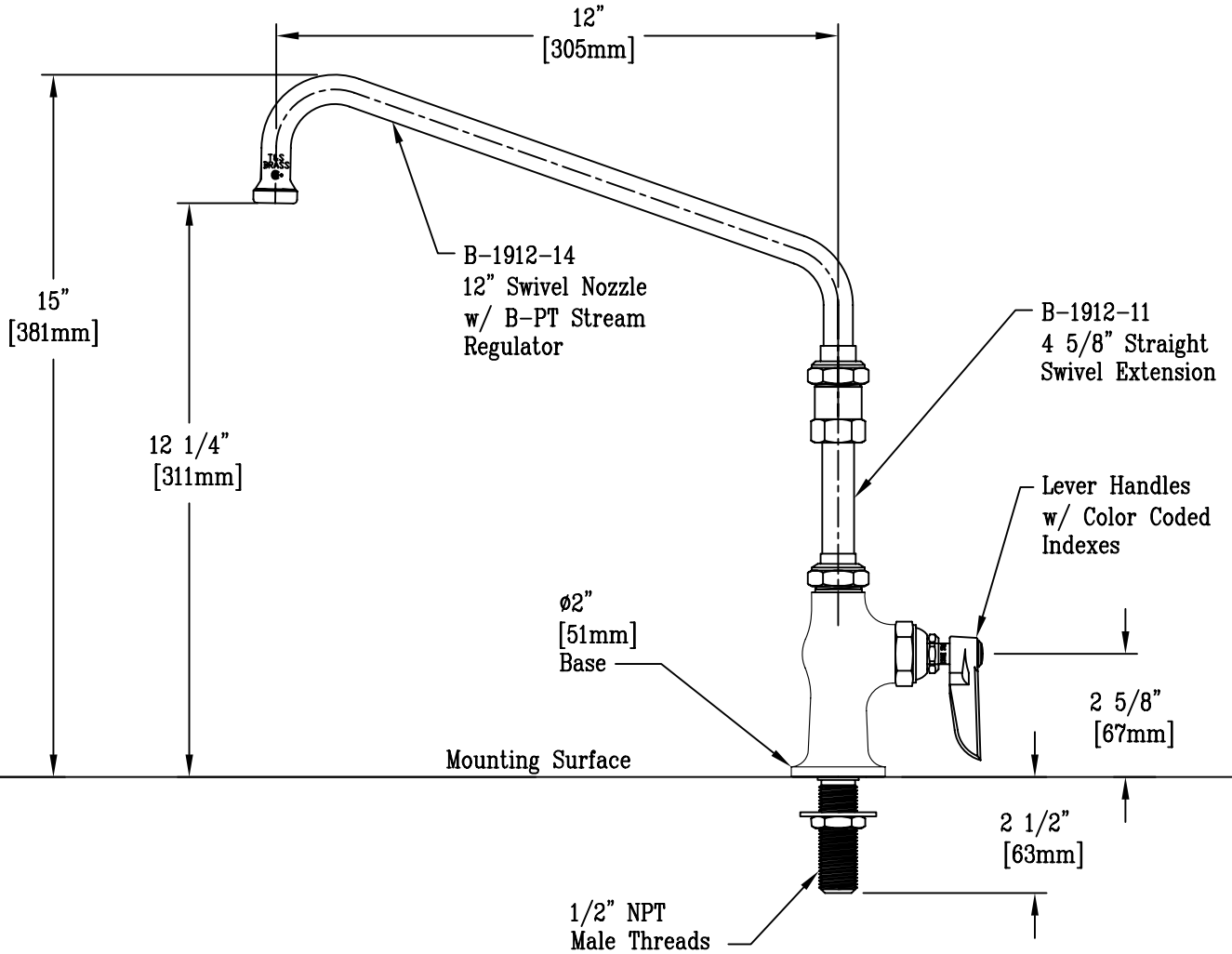
Job Name:

Architect/Engineer Approval:

Notes:



**ADA Compliant**

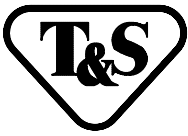


Note: Rough-In Requirement  
Ø1" [25mm] Hole

150A  
Tailpiece and Nut  
for 1/4" NPT  
Connection

Product Description:  
Single Pantry Mixing Faucet  
w/ 12" Swing Nozzle & 4 5/8" Extension

|                 |                   |                 |
|-----------------|-------------------|-----------------|
| Drawn:<br>KJG   | Checked<br>JRM    | Scale:<br>1 : 4 |
| Approved<br>JHB | Date:<br>04/26/10 |                 |



**T&S BRASS AND BRONZE WORKS, INC.**

2 SADDLEBACK COVE / P.O. BOX 1088 / TRAVELERS REST, SC 29690

PHONE 800-476-4103

FAX 864- 834-3518



REG.#A2601  
ISO #9002

Model No.

B-0206-02

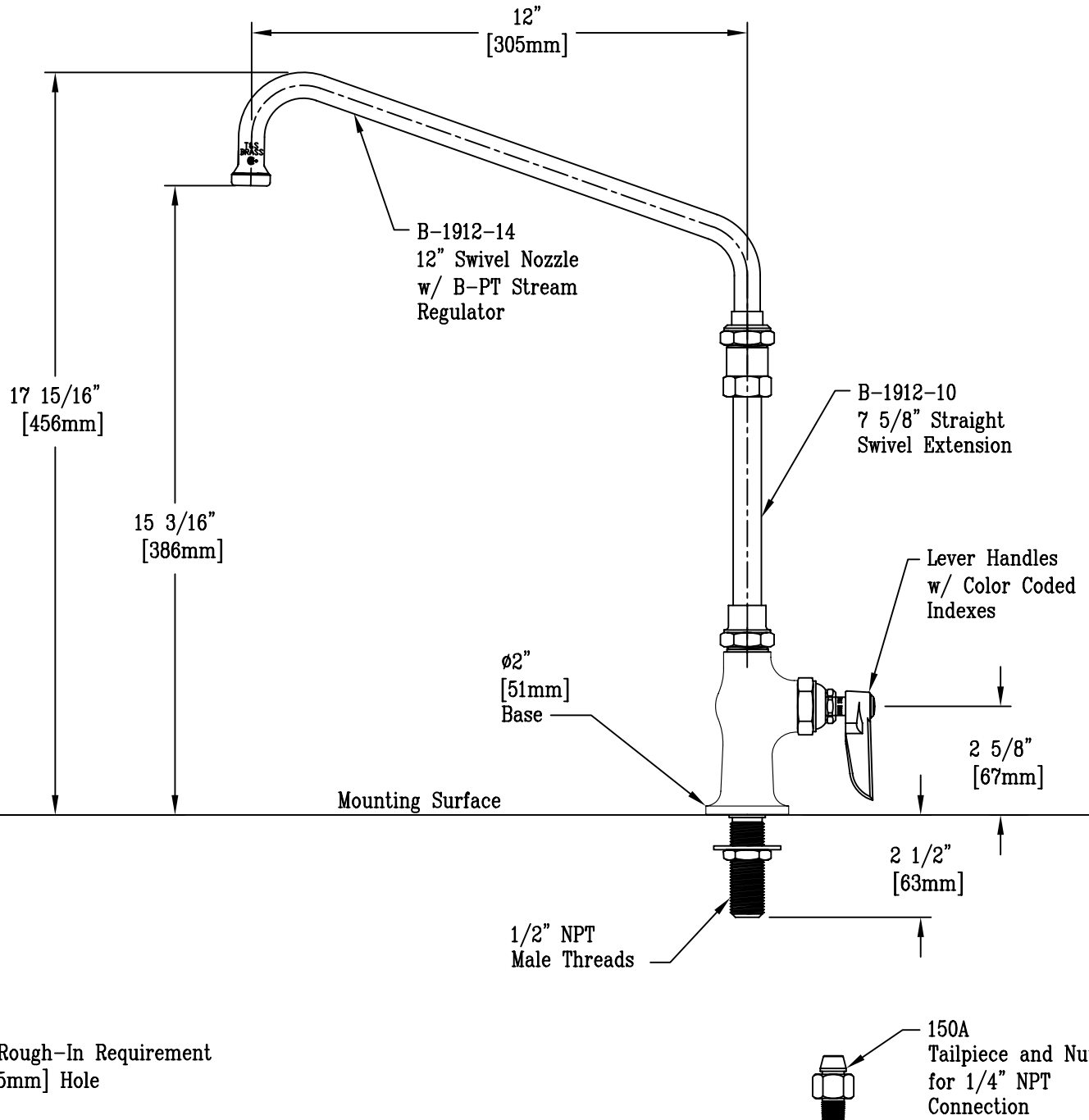
Item No.:

Job Name:

Architect/Engineer Approval:

Notes:

EPAct2005 COMPLIANT



Note: Rough-In Requirement  
Ø1" [25mm] Hole

Product Description:  
Single Pantry Mixing Faucet w/  
12" Swing Nozzle & 7 5/8" Extension

|                 |                   |                 |
|-----------------|-------------------|-----------------|
| Drawn:<br>KJG   | Checked<br>JRM    | Scale:<br>1 : 4 |
| Approved<br>JHB | Date:<br>04/26/10 |                 |



**T&S BRASS AND BRONZE WORKS, INC.**  
 2 SADDLEBACK COVE / P.O. BOX 1088 / TRAVELERS REST, SC 29690  
 PHONE 800-476-4103 - FAX 864- 834-3518



Model No.

B-0276

**RELIABILITY  
 BUILT IN**

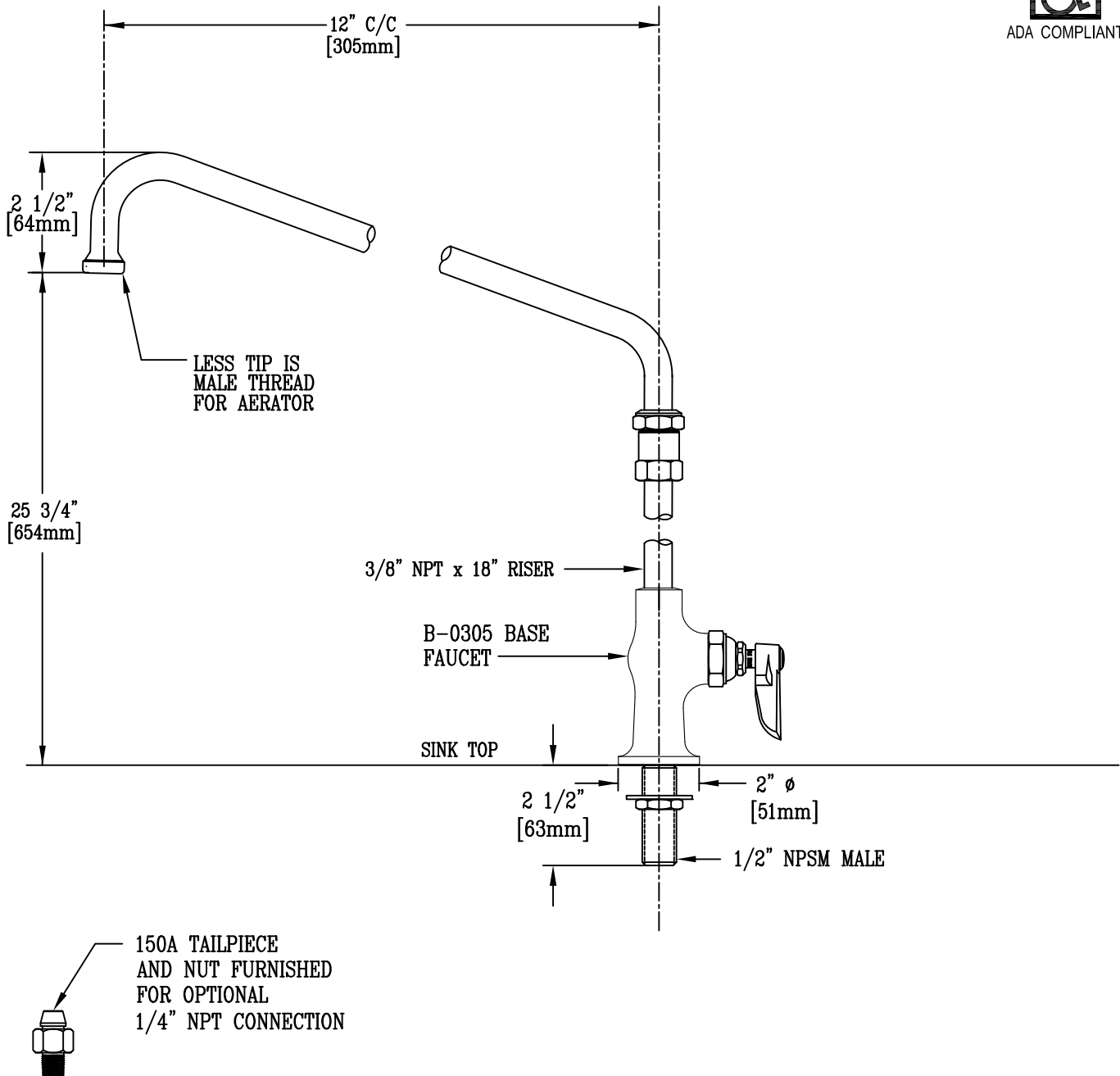
Job Name:

Architect/Engineer Approval:

Notes:



ADA COMPLIANT



**NSF STANDARD 61, SECTION 9 CERTIFIED**

Product Description:  
 SINGLE PANTRY FAUCET WITH ELEVATED  
 12" SWING NOZZLE, LEVER HANDLES,  
 AND 1/2" NPSM MALE SHANK INLET

|                 |                  |                 |
|-----------------|------------------|-----------------|
| Drawn:<br>LEL   | Checked<br>JKD   | Scale:<br>1 : 4 |
| Approved<br>MVW | Date:<br>9/11/02 |                 |