



# T&S BRASS AND BRONZE WORKS, INC.

2 SADDLEBACK COVE / P.O. BOX 1088 / TRAVELERS REST, SC 29690

PHONE 800-476-4103

FAX 803- 834-3518

Model No.

B-0192

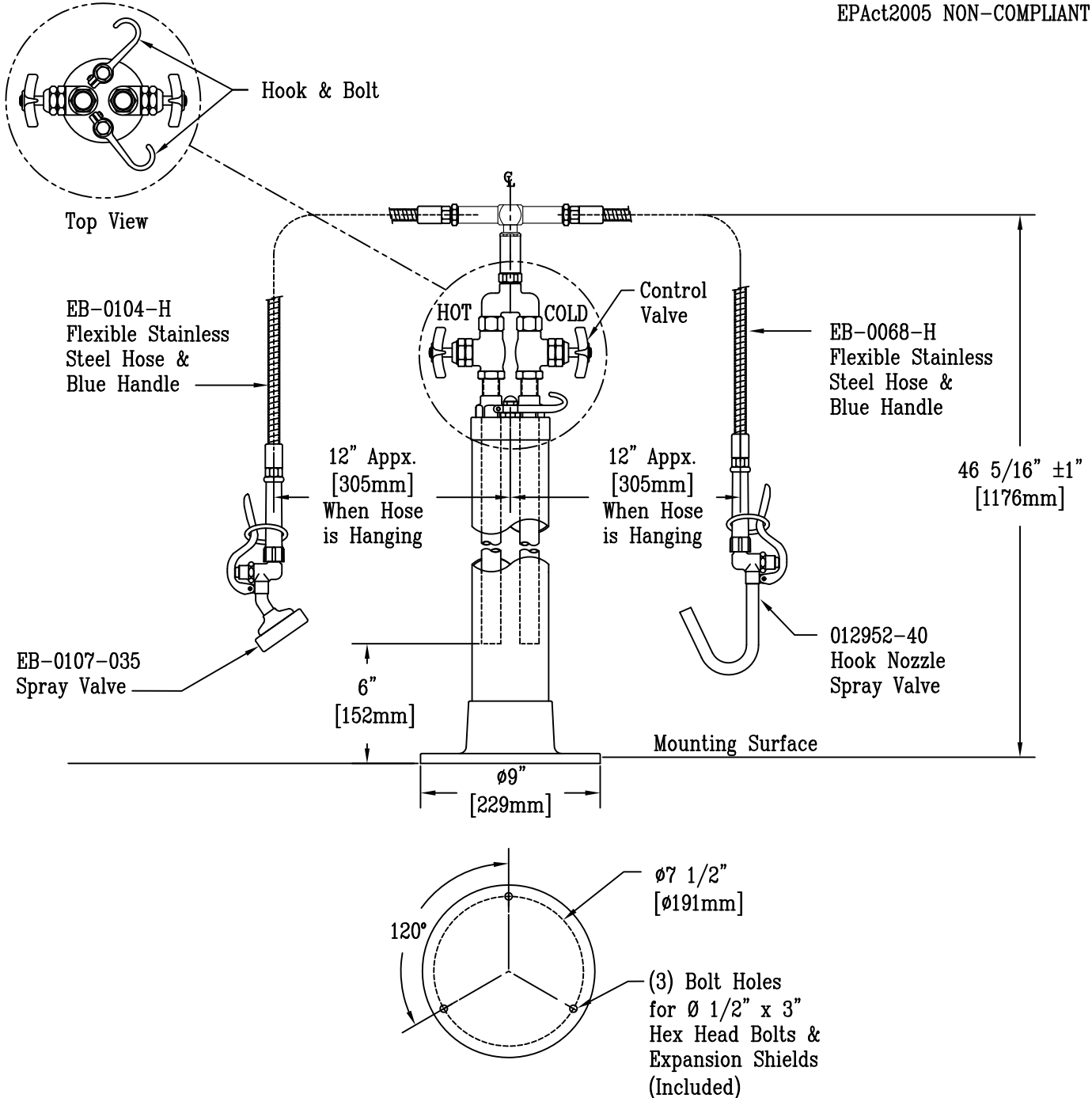
Item No.:

Job Name:

Architect/Engineer Approval:

Notes:

EPAct2005 NON-COMPLIANT



**Note:**

1. Assembly Connects to  $\phi 1/2$ " Pipe Nipples Roughed in from Floor on 2" Centers to a Height of 6"
2. Stanchion is Brass With Polished Chromum Plated Finish

Product Description:  
 Kettle Kaddy Combination Kettle Filler  
 & Spray Stanchion, Hot & Cold Water

Drawn: KJG	Checked DMH	Scale: 1:8
Approved JHB		Date: 03/17/14



**T&S BRASS AND BRONZE WORKS, INC.**

2 SADDLEBACK COVE / P.O. BOX 1088 / TRAVELERS REST, SC 29690

PHONE 800-476-4103

FAX 864- 834-3518

Model No.

B-0193

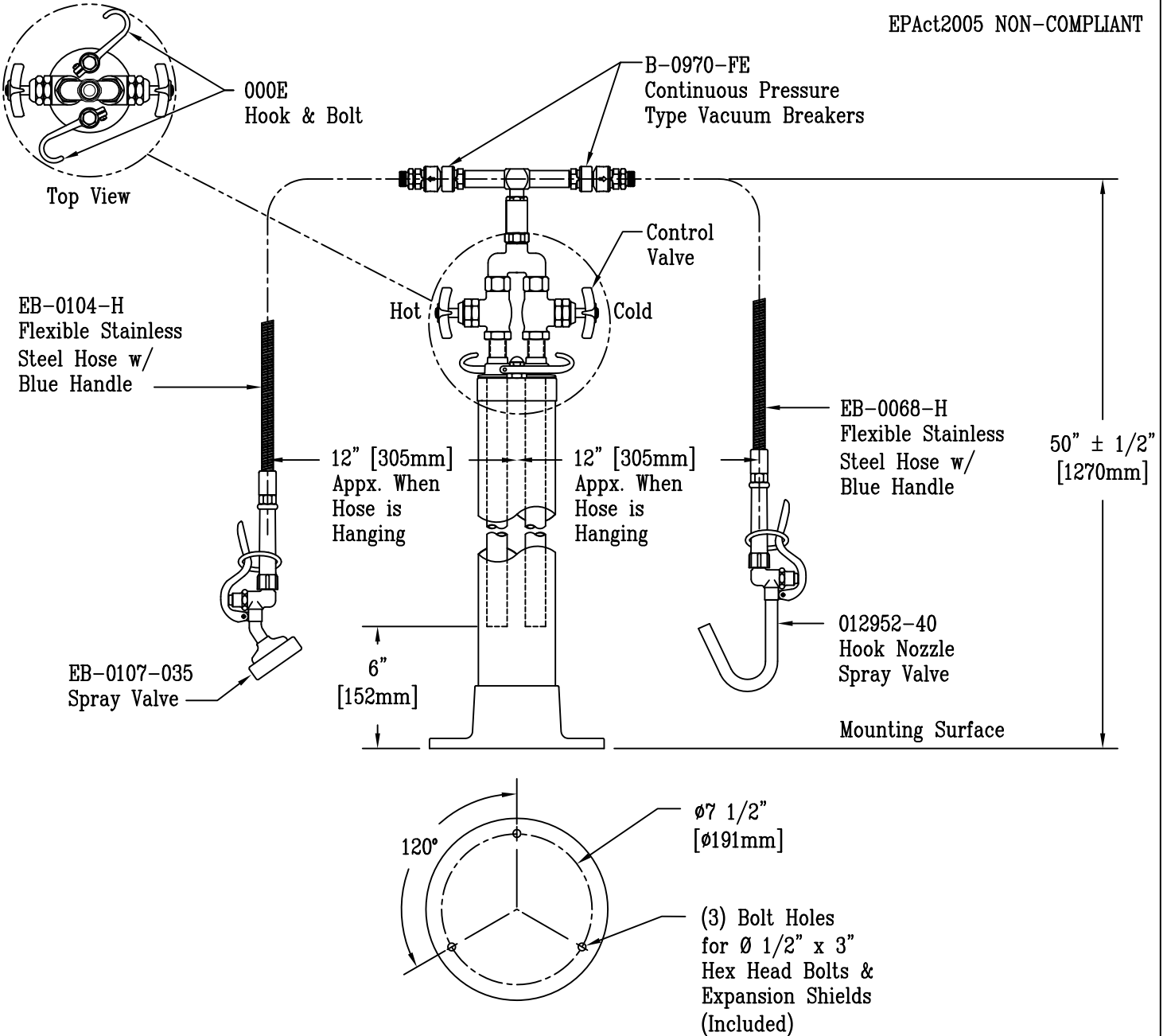
Item No.:

Job Name:

Architect/Engineer Approval:

Notes:

EPAct2005 NON-COMPLIANT



**Note:**

1. Assembly connects to  $\varnothing 1/2$ " pipe nipples roughed in from floor on 2" centers to a height of 6"
2. Stanchion is brass with polished chrome plated finish

Product Description:  
 Kettle Kaddy Combination Kettle Filler  
 Spray Stanchion, Separate Control Valves  
 & Vacuum Breakers

Drawn: KJG	Checked DMH	Scale: 1:8
Approved JHB		Date: 03/17/14