

# Airforce

## High Efficiency Hand Dryer

Secamanos altamente eficiente • Sèche-mains à haute efficacité



### All J & J4 Series

Todos los de la serie J4 y J4  
Ensemble de la série J4 et J4



**Please read and save these instructions. Read carefully before attempting to assemble, install, operate or service the product described. Protect yourself and others by observing all safety information. Failure to comply with instructions could result in personal injury and/or property damage. Retain instructions for future reference.**

Por favor lea y guarde estas instrucciones. Léelas cuidadosamente antes de tratar de montar, instalar, operar o dar mantenimiento al producto aquí descrito. Protéjase usted mismo y a los demás observando toda la información de seguridad. No seguir las instrucciones puede ocasionar daños, tanto personales como materiales. Guarde estas instrucciones para referencia en el futuro.

Lire et conserver ces instructions. Les lire attentivement avant de commencer à assembler, à installer, à faire fonctionner ou à entretenir l'appareil décrit. Pour se protéger et protéger autrui, observer toutes les consignes de sécurité. Négliger de se conformer à ces instructions peut causer des blessures personnelles et/ou des dommages matériels. Conserver ces instructions pour références ultérieures.



**World Dryer Corporation**

5700 McDermott Drive  
Berkeley, IL 60163 U.S.A.  
800-323-0701  
[www.worlddryer.com](http://www.worlddryer.com)

## Description

World warm air hand dryer, powered by universal brush motor, delivers 1100 Watts of drying power. This hand dryer runs on 120 Volt or 208-240 Volt AC electrical supply depending on model. An infrared sensor is used to automatically turn the dryer on and off. This model is intended for use in commercial, industrial, office and public facility environments.


## Electrical Specifications

**Table 1**


Models	Type	Electrical Input	Rated Amperage	Rated Watts	Certifications
J-XXX	Automatic	120 VAC, 50/60Hz	9.6A	1100	UL, E320188
J4-XXX	Automatic	208-240 VAC, 50/60Hz	4.8A	1100	UL, E320188

## General Safety Information


This appliance is not intended for use by young children or persons with physical, sensory or mental disabilities unless adequately supervised by a responsible person to ensure they can use the appliance safely. Young children should be supervised to ensure they do not play with the appliance.

 **DANGER** Failure to disconnect the power source before installation or servicing can result in serious injury or death from electric shock.


- Always disconnect the power source before servicing or installing the hand dryer.

 **DANGER** Failure to properly ground this unit could result in severe electrical shock and/or death.

- This hand dryer must be properly grounded (Earthed) for safe operation. An identified ground connection point is supplied on the hand dryer's wall base.
- We recommend GFCI protection in wet or damp locations or as required by local code.

 **WARNING** Risk of fire, personal injury or property damage are possible if local codes, or safety recommendations are not followed.

- Use only the electrical power (voltage and frequency) specified for the model hand dryer being installed. See Table 1 – Electrical Specifications.
- Connect the hand dryer to the nearest suitable distribution panel. The fixed wiring must include a disconnection means complying with local wiring codes.
- To limit a voltage drop, and insure efficient operation, use No. 12 AWG (4 mm<sup>2</sup>) wire or larger as required by local electrical codes.
- Always connect to a branch circuit with circuit breaker or fuse protection with an electrical rating greater than the model hand dryer's rated amperage shown in Table 1 - Electrical Specifications.
- To avoid a hazard due to inadvertent resetting of the thermal cutout, the hand dryer must not be supplied through an external switching device, such as a timer, or connected to a circuit that is regularly switched on and off by the utility.
- Each automatic model hand dryer must have a dedicated circuit.
- Route all field wiring away from moving parts within the hand dryer.

 **CAUTION** Improper mounting could result in personal injury or property damage.

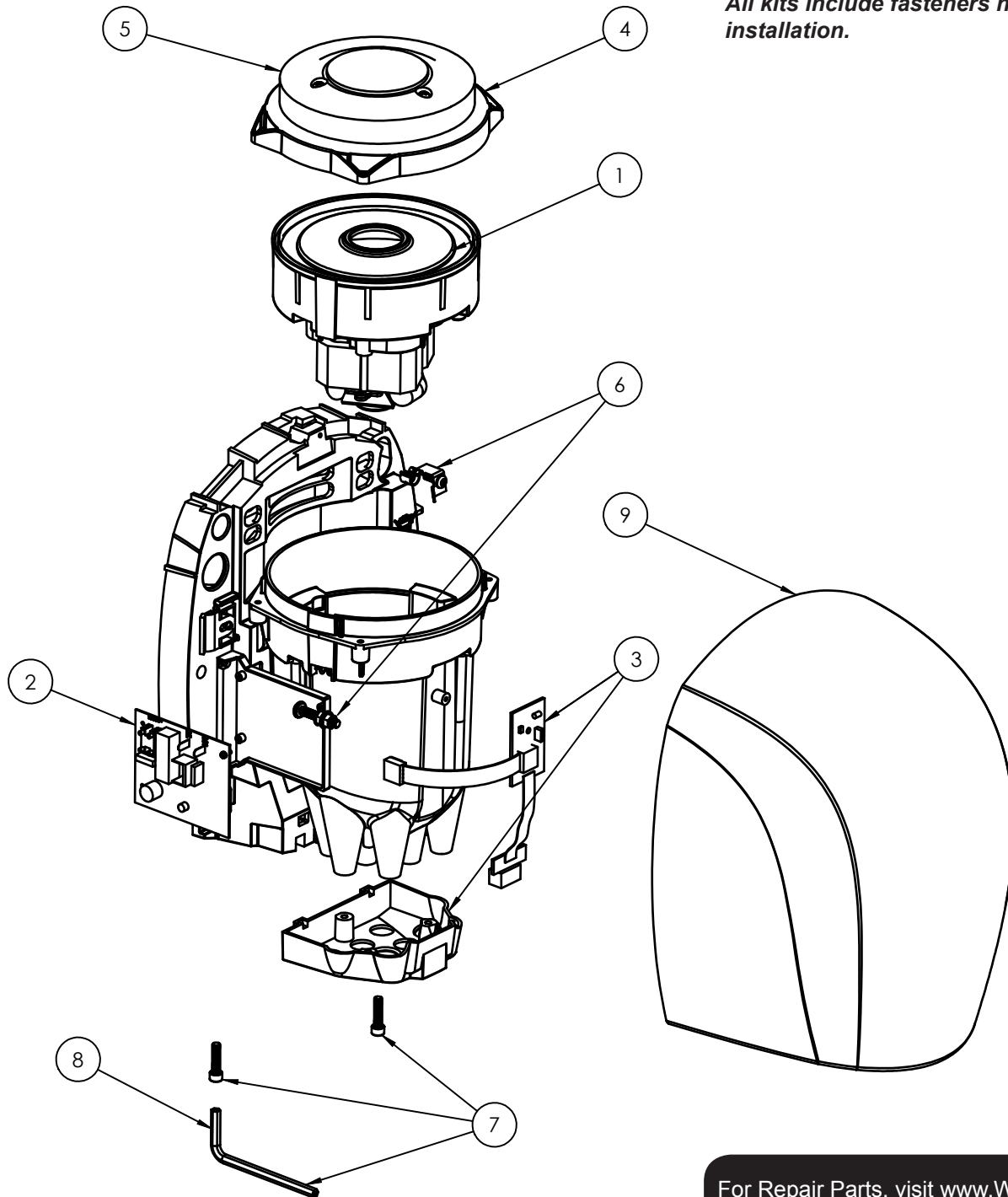
- Follow the mounting height recommendations in Table 2.
- On a stud wall, one side of the hand dryer should be mounted to an existing stud.

## Unpacking

1. Remove fuse or shut off power to the dryer at fuse box.
2. With Allen wrench supplied with dryer, turn clockwise two Allen screws from bottom side of dryer case.
3. Remove dryer cover.

# Parts List

## Repair Parts List For Airforce Hand Dryers



*All kits include fasteners needed for installation.*

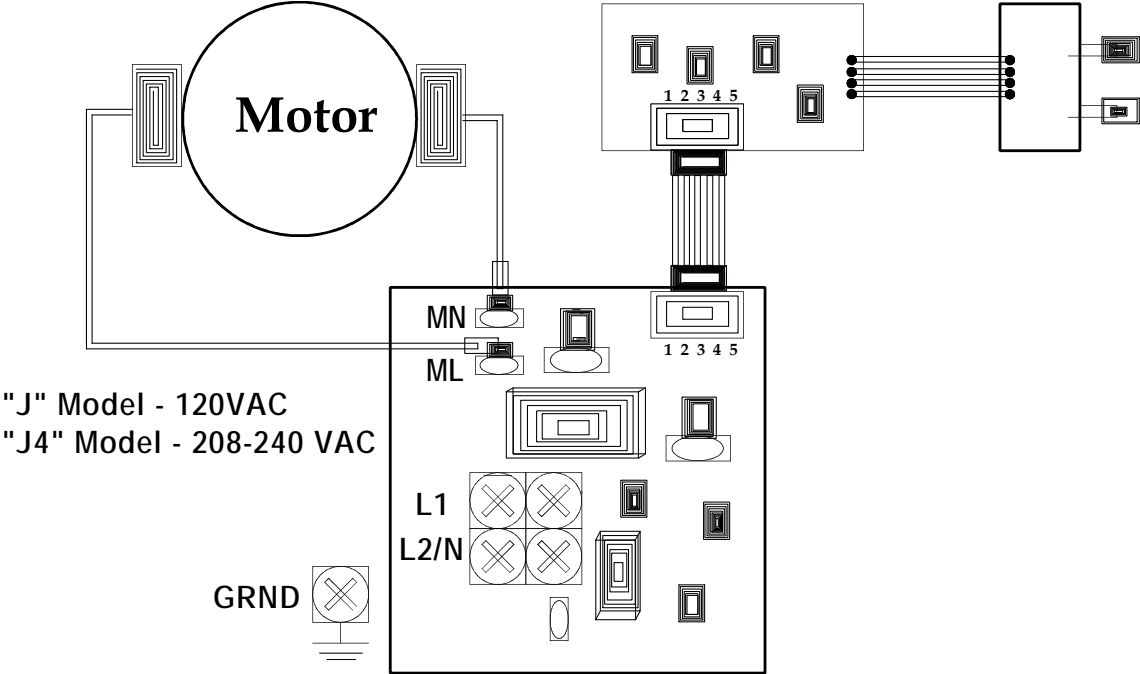
For Repair Parts, visit [www.WorldDryer.com](http://www.WorldDryer.com)  
Please provide following information:

- Model number
- Serial number
- Part description and number shown in parts list

#	Description	Part Number	Qty
1a	Motor, 120 V, Model J	32-J120K	1
1b	Motor, 240 V, Model J4	32-J240K	1
2	Kit, Main Controls (All voltage models)	16-200K	1
3	Kit, IR Sensor (All voltage models)	49-200K	1
4	Kit, Plenum Cap	47-120309K	1
5	Filter, Air Intake	93-120309	1
6	Kit, Grounding	52-030244K	1
7	Tamper-resistant Cover Screws and Wrench	46-040221K	2
8	Wrench	56-40189	1
9a	Cover, Alum, White	20-243-974JK	1
9b	Cover, Alum, Chrome, Polished	20-243-970JK	1
9c	Cover, Alum, Chrome, Brushed	20-243-971JK	1
9d	Cover, Alum, Black	20-243-162JK	1
9e	Cover, Steel, White	20-243-975JK	1
9f	Cover, Stainless Steel, Polished	20-243-972JK	1
9g	Cover, Stainless Steel, Brushed	20-243-973JK	1

All kits include fasteners needed for installation.

## Wiring Diagram



# Installation

1. Disconnect the power source.
2. Use the security hex key supplied to turn the cover mounting screws clockwise to remove the cover from the dryer.
3. Place the hand dryer base on the wall at the desired location using Table 2 to determine the recommended mounting height. With the base so located, use it as a template to mark locations of the 4 mounting bolt holes on the wall. Ensure that no reflective object (such as a hand basin) is located directly under infra-red sensor eye; the minimum distance is 18 inches (46 cm).
4. Fasten the base to the wall, using the type of bolts suggested in Table 3.
5. All automatic dryers must have their own dedicated 10 amp circuit.
6. Connect the dryer to the nearest suitable distribution panel.
7. Replace cover, turn screws counter-clockwise making certain not to over-tighten.

**IMPORTANT: Consult local and general regulations before performing dryer installation. Ensure that the electrical network is not overloaded. Do not connect to a branch circuit over 10 amps.**

**Table 2**

Recommended Mounting Heights from Floor to Dryer Bottom Edge	in. (cm.)
Men's washrooms	46 (117)
Women's washrooms	44 (112)
Children's washrooms, ages 4-7	32 (81)
Children's washrooms, ages 7-10	36 (91)
Children's washrooms, ages 10-13	40 (102)
Children's washrooms, ages 13-17	44 (112)
Handicap Mounting Height	37 (94)

**Table 3**

Type of Wall	Type of Bolt	Minimum Bolt Length
Hollow Tile, Lath, Wall Board or Metal	1/4" (M6) screw Type or Wing Type toggle Bolts	Dependent on wall thickness
Cement, Brick, or Tile Covered Cement or Brick	1/4" (M6) Stud Type Expansion Bolts	3" (76mm)
Stud Wall with wood Backing	No 16 (M8) Wood Screws	23/4" (70mm)

# Maintenance and Cleaning Instructions

## Maintenance

1. Remove fuse or shut off power to the dryer at fuse box.
2. With Allen wrench supplied with dryer, turn clockwise two Allen screws from bottom side of dryer case.
3. Remove dryer cover.

## Cleaning Instructions

Read complete instruction before proceeding. Under normal use, cleaning the Dryer once a year will keep it in good operating condition. If the washroom traffic is heavier than normal, the cleaning should be done every 6 months. Lint and dust build up inside the dryer can result in damage to motor.

1. Turn off dryer at circuit breaker or fuse panel.
2. Turn clockwise two cover mounting screws from dryer cover using security hex key provided. Support cover while removing screws.
3. Vacuum out dirt from blower and housing. Use caution not to damage wires or circuit boards.
4. The motor inlet cover may be removed by unscrewing the (4) screws. This allows access to the motor for cleaning or replacement.
5. Use soft-medium bristle 1/2" paint brush to clean dust and dirt from motor.
6. Replace cover. Place cover squarely over base and push flush to wall. Turn cover mounting screws counter-clockwise and tighten until snug. Do not over tighten.

# Troubleshooting Chart

Dryer fails to start.	Sensor obstruction	1. Check Sensor Lens for foreign material or dirt. Clean lens with soft damp cloth and mild cleaning agent 2. If Lens is damaged or scratched, replace it
	No power to the unit	Check if power is "ON"; Check electrical connections
	Faulty Circuit Board and Sensor	Listen for PCB Relay "Click"; If no "Click" is heard, replace the PCB and Sensor
	Faulty Motor	If Relay "Click" is heard, but unit does not start, replace the Motor / Fan assembly
Dryer will not shut off or runs 20-30 seconds, then will not re-start	Sensor obstruction	1. Check Sensor Lens for foreign material or dirt. Clean Lens with soft damp cloth and mild cleaning agent 2. If Lens is damaged or scratched, replace it
	Sensor receiving false signal or reflection	1. Hand Dryer should be mounted a minimum of 18" above a reflective surface 2. Check if other Infrared operated appliances in the vicinity may be triggering the Dryer
		3. Replace the PCB and Sensor
Dryer "Ghosts" starts with no hands present	Fluctuating power supply	1. Multiple Hand Dryers on one circuit or Dryers sharing a lighting circuit. Automatic Hand Dryers must be on dedicated circuits 2. Building wiring may be insufficient gauge or too long of a run from the supply
		Dryer mount on wall loose
Motor noisy or vibrates	Faulty Motor and Fan	Replace Motor and Fan Assembly
	Air intake blocked	Inspect for and remove foreign material blocking air intake slots. Using a soft brush and vacuum, clean intake slots
Dryer air too hot	Dirty air filter	Clean or replace air filter. To clean, remove and use a soft brush and vacuum to remove all foreign material. If air filter cannot be completely cleaned, replace it

## Limited Warranty

**World LIMITED FIVE- YEAR WARRANTY.** World dryer™ warm air hand dryers, covered in this manual, are warranted by world dryer corporation to the original owner against defects in workmanship or materials under normal use for five years and three years for electronic controls after the date of purchase. Normal wear or abuse of any component is excluded from this warranty. Any part which is determined to be defective in material or workmanship and returned, shipping costs prepaid, will be, as the exclusive remedy, repaired or replaced at world's option. For limited warranty claim procedures, see "prompt disposition" below. This limited warranty gives purchasers specific legal rights which vary from jurisdiction to jurisdiction.

**LIMITATION OF LIABILITY.** To the extent allowable under applicable law, World's liability for consequential and incidental damages is expressly disclaimed. World's liability in all events is limited to and shall not exceed the purchase price paid.

**WARRANTY DISCLAIMER.** World has made a diligent effort to provide product information and illustrate the products in this literature accurately; however, such information and illustrations are for the sole purpose of identification, and do not express or imply a warranty that the products are MERCHANTABLE, or FIT FOR A PARTICULAR PURPOSE, or that the products will necessary conform to the illustrations or descriptions. Except as provided below, no warranty or affirmation on fact, expressed or implied, other than as stated in the "LIMITED WARRANTY" above is made or authorized by World.

**PRODUCT SUITABILITY.** Many jurisdictions have codes and regulations governing sales, construction, installation, and/or use of products for certain purposes, which may vary from those in neighboring areas. While World attempts to assure that the products comply with such codes, it cannot guarantee compliance, and cannot be responsible for how the product is installed or used. Before purchase and use of a product, review the product application, and all applicable national and local codes and regulations, and be sure that the product, installation, and use will comply with them.

Certain aspects of disclaimers are not applicable to consumer products; e.g., (a) some jurisdictions do not allow the exclusion or limitation of incidental or consequential damages, so the above limitation or exclusion may not apply to you; (b) also, some jurisdictions do not allow a limitation on how long an implied warranty lasts, consequentially the above limitation may not apply to you; and (c) by law, during the period of this Limited Warranty, and implied warranties of implied merchantability or fitness for particular purpose applicable to consumer products purchased by consumers, may not be excluded or otherwise disclaimed.

Manufactured by World Dryer Corporation, Berkeley, Illinois 60163 U.S.A.

**PROMPT DISPOSITION.** World will make a good faith effort for prompt correction or other adjustment with respect to any product which proves to be defective within limited warranty. For any product believed to be defective within limited warranty, first write or call dealer from whom the product was purchased. Dealer will give additional directions. If unable to resolve satisfactorily, write to World at address below, giving dealer's name, address, date, and number of dealer's invoice, and describing the nature of defect. Title and risk of loss pass to buyer on delivery to common carrier. If product was damaged in transit to you, file claim with carrier.



5700 McDermott Drive  
Berkeley, IL 60163 U.S.A.  
800-323-0701  
www.worlddryer.com

## Descripción

El secamano por aire caliente World, impulsado por motor universal con escobillas, suministra 1100 vatios de potencia de secado. Este secamano funciona con un suministro eléctrico de 120 voltios de CA, o 208-240 voltios de CA, dependiendo del modelo. El secamano se enciende y apaga automáticamente mediante un sensor de infrarrojos. Este modelo está diseñado para entornos comerciales, industriales, de oficinas e instalaciones públicas.





## Especificaciones del sistema eléctrico

Tabla 1

Modelos	Tipo	Entrada eléctrica	Amperaje nominal	Vatios nominales	Certificaciones
J-XXX	Automático	120 VAC, 50/60Hz	9.6A	1100	UL, E320188
J4-XXX	Automático	208-240 VAC, 50/60Hz	4.8A	1100	UL, E320188

## Información de seguridad general

Este aparato no está hecho para que lo utilicen niños pequeños o personas con capacidades físicas, sensoriales o mentales disminuidas, a menos que sean supervisados por una persona responsable y puedan utilizar el aparato de manera segura. Hay que supervisar a los niños pequeños para evitar que jueguen con el aparato.

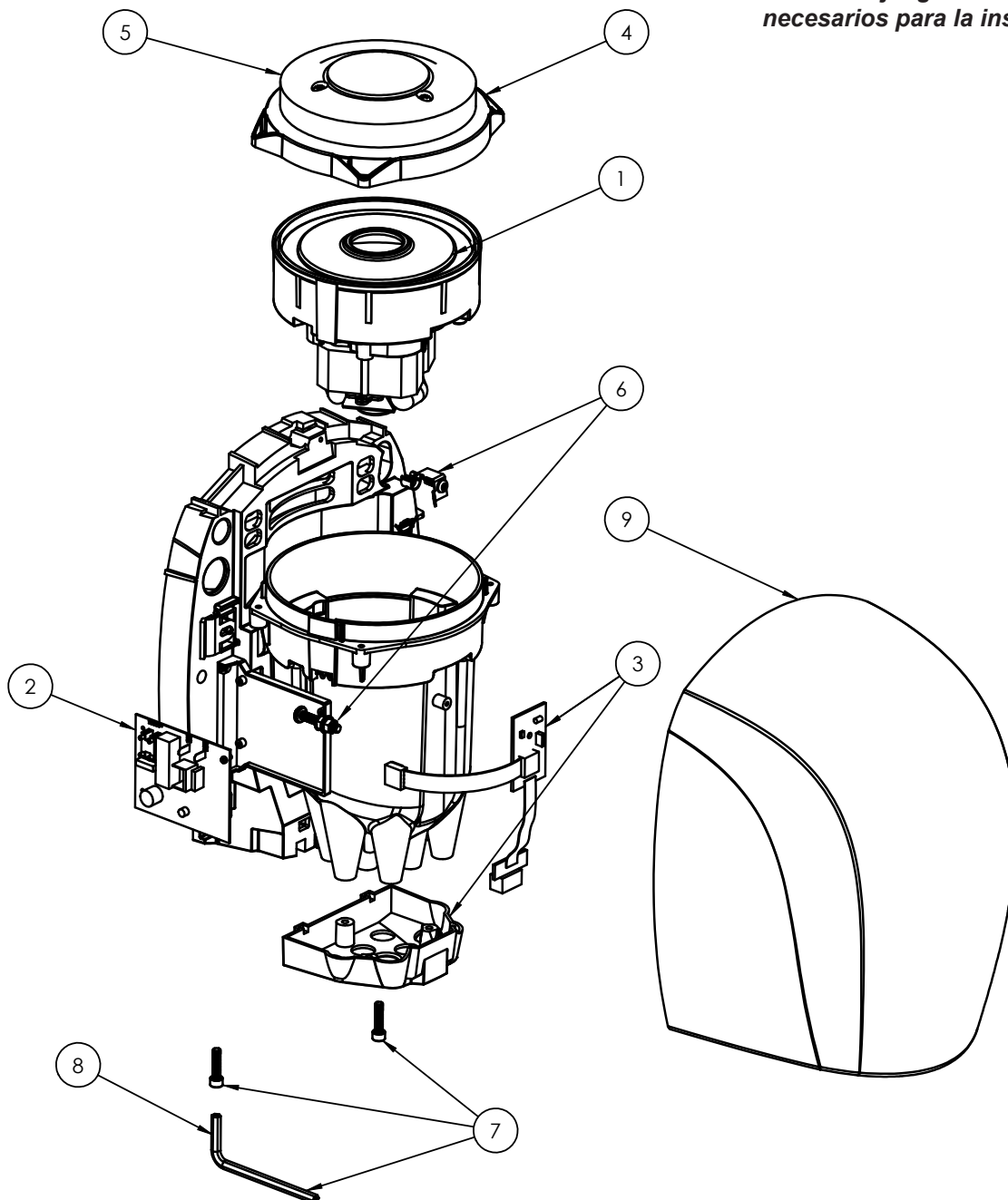
-  **PELIGRO** No desconectar la fuente de alimentación eléctrica antes de realizar la instalación o el mantenimiento puede resultar en lesiones graves o la muerte debido a un choque eléctrico.
- Siempre desconecte la fuente de alimentación antes de instalar el secamano o darle mantenimiento.
-  **PELIGRO** No conectar correctamente a tierra esta unidad puede resultar en un choque eléctrico grave y/o la muerte.
- Este secamano se debe conectar correctamente a tierra para que funcione en forma segura. En la base mural del secamano se identifica un punto de conexión a tierra.
  - Recomendamos utilizar un protector GFCI (interruptor de circuito de fallo a tierra) en emplazamientos mojados o húmedos, o donde lo exija el código local.
-  **ADVERTENCIA** Hay riesgos posibles de incendio, lesiones personales o daño a la propiedad si no se cumple con los códigos locales o las recomendaciones de seguridad.
- Utilice únicamente la energía eléctrica (voltaje y frecuencia) especificada para el modelo de secamano que se esté instalando. Consulte la Tabla 1: Especificaciones del sistema eléctrico.
  - Conecte el secamano en el panel de distribución adecuado más cercano. El cableado fijo debe incluir un medio de desconexión que cumpla con los códigos de cableado locales.
  - Para limitar las caídas de voltaje y garantizar un funcionamiento eficiente, utilice un conductor número AWG 12 (4 mm<sup>2</sup>) o mayor de acuerdo con los requisitos de los códigos eléctricos locales.
  - Siempre conecte a un ramal que tenga instalado un cortacircuito o un fusible protector cuya capacidad eléctrica supere la intensidad nominal del modelo del secamano, como se indica en la Tabla 1: Especificaciones del sistema eléctrico.
  - Para evitar el peligro de reconectar accidentalmente el interruptor térmico, el secamano no debe alimentarse a través de un dispositivo conmutador externo como, por ejemplo, un temporizador, ni conectarse a un circuito que la empresa de servicio eléctrico cierre o abra regularmente.
  - Todo secamano de modelo automático debe tener un circuito dedicado.
  - Separe todo el tendido de cables de las piezas móviles del interior del secamano.
-  **ATENCIÓN** El montaje incorrecto puede ocasionar lesiones personales o daños materiales.
- Observe las alturas de montaje recomendadas en la Tabla 2.
  - En una pared con postes de soporte, se debe montar un lado del secamano en un poste existente.

## Desembalaje

1. Extraiga el fusible o corte la alimentación eléctrica para el secador en la caja de fusibles.
2. Con la llave Allen suministrada con el secador, gire a la derecha los dos tornillos Allen del lado inferior de la caja del secador.
3. Retire la cubierta del secador.

# Lista de piezas

## Lista de piezas de reparación para los secamanos Airforce



*Todos los juegos incluyen los afianzadores necesarios para la instalación.*

Para información sobre repuestos, visite [www.WorldDryer.com](http://www.WorldDryer.com)  
Por favor proporcione la siguiente información:

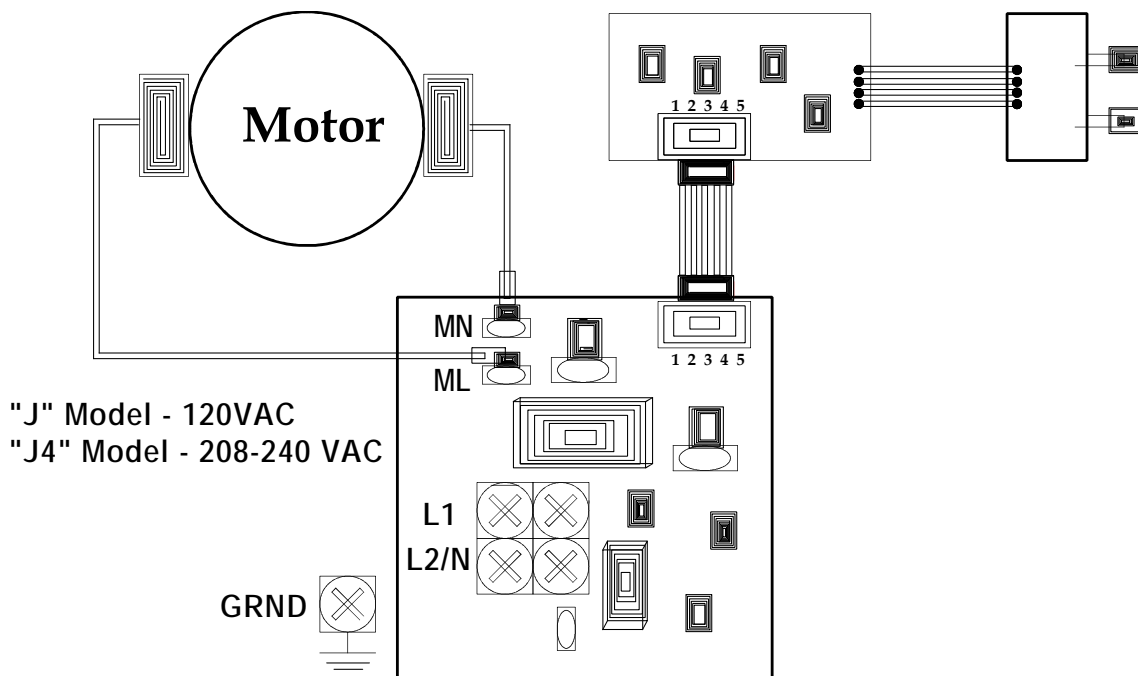
- Número de modelo
- Número de serie
- Descripción de la pieza y número indicados en la lista de piezas



#	Descripción	Número de pieza	Cant.
1a	Motor, 120 voltios (J Model)	32-J120K	1
1b	Motor, 230 voltios (J4 Model)	32-J240K	1
2	Estuche, Controles Principales (todo)	16-200K	1
3	Estuche, IR Sensor (todo)	49-200K	1
4	Estuche, Plenum Cap	47-120309K	1
5	Filtro de toma de aire	93-120309	1
6	Estuche, toma de tierra	52-030244K	1
7	Sabotaje resistente cubierta tornillos y llave	46-040221K	2
8	Llave	56-40189	1
9a	Cubierta , Aluminio, blanco	20-243-974JK	1
9b	Cubierta , Aluminio,, cromo, pulido	20-243-970JK	1
9c	Cubierta , Aluminio, cromo, cepillado	20-243-971JK	1
9d	Cubierta , Aluminio, negro	20-243-162JK	1
9e	Cubierta, Acero, blanco	20-243-975JK	1
9f	Cubierta , Acero inoxidable, pulido	20-243-972JK	1
9g	Cubierta , Acero inoxidable, cepillado	20-243-973JK	1

Todos los kits incluyen elementos de fijación necesarios para la instalación.

## Diagrama de Cableado



# Instalación

1. Desconecte la fuente de alimentación.
2. Utilice la llave hexagonal de seguridad que se proporciona para girar a la derecha los tornillos de montaje de la cubierta, y separarla del secador.
3. Coloque la base del secamanos en el lugar deseado en la pared usando la Tabla 2 para determinar la altura de montaje recomendada. Con la base ya situada, utilícela como una plantilla para marcar los lugares de los 4 orificios en la pared para los pernos de montaje. Asegúrese de que no haya ningún objeto reflexivo (tal como un lavabo) situado directamente debajo del ojo sensor infrarrojo; la distancia mínima es 46 cm.
4. Fije la base en la pared, usando el tipo de pernos sugerido en la Tabla 3.
5. Todos los secadores automáticos deben tener su circuito dedicado de 10 amperios.
6. Conecte el secador en el panel de distribución adecuado más cercano.
7. Coloque nuevamente la cubierta, gire los tornillos a la izquierda y asegúrese de no apretarlos demasiado.

**IMPORTANTE:** Consulte los reglamentos locales y generales antes de realizar la instalación del secamanos. Asegúrese de que la red eléctrica no esté sobrecargada. No conecte la unidad en un circuito ramal de más de 10 amperios.

**Tabla 2**

Alturas de montaje recomendadas desde el suelo hasta la parte inferior del secamanos	cm (pulg.)
Baños de hombres	117 (46)
Baños de mujeres	112 (44)
Baños de niños, 4 a 7 años de edad	81 (32)
Baños de niños, 7 a 10 años de edad	91 (36)
Baños de niños, 10 a 13 años de edad	102 (40)
Baños de niños, 13 a 17 años de edad	112 (44)
Altura de montaje para discapacitados	94 (37)

**Tabla 3**

Tipo de pared	Tipo de perno	Longitud mínima del perno
Baldosa hueca, malla, pared de yeso o metal	Pernos acodillados roscados (M6) o de palomilla de 1/4 pulg.	Depende del grosor de la pared
Cemento, ladrillo, o cemento o ladrillo recubierto con baldosas	Pernos de expansión de tipo para postes (M6) de 1/4 pulg.	76 mm (3 pulg.)
Pared de entramado con refuerzo de madera	Tornillos para madera (M8) número 16	70 mm (2 3/4 pulg.)

# Instrucciones de mantenimiento y limpieza

## Mantenimiento

1. Extraiga el fusible o corte la alimentación eléctrica para el secador en la caja de fusibles.
2. Con la llave Allen suministrada con el secador, gire a la derecha los dos tornillos Allen del lado inferior de la caja del secador.
3. Retire la cubierta del secador.

## Instrucciones de limpieza

Lea todas las instrucciones antes de proceder. Bajo uso normal, la limpieza del secador una vez al año lo mantendrá en buena condición de funcionamiento. Si el tráfico en el baño es más pesado que lo normal, la limpieza debe realizarse cada 6 meses. La acumulación de pelusa y polvo dentro del secador puede dañar el motor.

1. Apague el secador en el panel de fusibles o del cortacircuito.
2. Gire a la derecha los dos tornillos de montaje de la cubierta del secador usando la llave hexagonal de seguridad suministrada. Sujete la cubierta mientras extrae los tornillos.
3. aspire la suciedad del secador y de la carcasa. Tenga cuidado de no dañar los cables ni las placas de circuito.
4. Puede extraer la cubierta del orificio de entrada del motor; para ello desenrosque los cuatro (4) tornillos. Eso permite acceder al motor para limpiarlo o reemplazarlo.
5. Elimine el polvo y la suciedad del motor con una brocha para pintar de cerdas suaves o intermedias de 13 mm
6. Vuelva a instalar la cubierta. Coloque la cubierta encuadrada sobre la base y presiónela hasta que esté al ras contra la pared. Gire a la izquierda los tornillos de montaje de la cubierta y apriételes hasta que estén ajustados. No apriete demasiado.

## Tabla de identificación de problemas

El secador no arranca.	Sensor obstruido	1. Compruebe que la lente del sensor no esté sucia ni tenga materias extrañas. Limpie la lente con un trapo suave y húmedo, y un producto de limpieza suave. 2. Si la lente está dañada o rayada, reemplácela
	La unidad no recibe alimentación eléctrica	Compruebe que la unidad esté energizada; revise las conexiones eléctricas
	Placa de circuitos impresos y sensor averiados	Preste atención al chasquido del relé de la placa de circuitos impresos. Si no se oye, reemplace la placa de circuitos impresos y el sensor.
	Motor averiado	Si se oye el chasquido del relé, pero no arranca la unidad, reemplace el conjunto de motor/ventilador
El secador no puede apagarse, o funciona 20-30 segundos y después no puede encenderse de nuevo.	Sensor obstruido	1. Compruebe que la lente del sensor no esté sucia ni tenga materias extrañas. Limpie la lente con un trapo suave y húmedo, y un producto de limpieza suave. 2. Si la lente está dañada o rayada, reemplácela.
	El sensor está recibiendo una señal falsa o el reflejo de alguna superficie	1. El secamanos debe montarse a no menos de 46 cm por encima de las superficies reflectantes. 2. Verifique si hay algún otro artefacto accionado por infrarrojos cerca del secamanos que pueda estar activándolo. 3. Reemplace la placa de circuitos impresos y el sensor.
	La alimentación eléctrica fluctúa	1. Hay varios secamanos en un mismo circuito, o los secamanos comparten un circuito de luces. Los secamanos automáticos deben instalarse en circuitos dedicados. 2. El cableado de la edificación tiene un calibre insuficiente o se extiende demasiado desde la fuente de alimentación eléctrica.
El motor hace ruidos o vibra	Está suelto el montaje del secador en la pared	Revise si están apretados los tornillos y si el secador está bien amurado.
	Ventilador y motor defectuosos	Reemplace el conjunto de ventilador y motor.
El aire que expulsa el secamanos es demasiado caliente	La entrada de aire está bloqueada	Compruebe si hay material extraño que bloquee las ranuras de entrada de aire y quítelo. Limpie las ranuras de entrada con un cepillo suave y una aspiradora.
	Filtro de aire sucio	Limpie o reemplace el filtro de aire. Para limpiarlo, retírelo y utilice un cepillo suave y una aspiradora para eliminar todo material extraño. Si no puede eliminar totalmente los residuos del filtro, reemplácelo.

## Garantía limitada

**GARANTÍA LIMITADA DE 5 AÑOS DE World.** World Dryer secadores de aire caliente, modelos norteamericanos incluidos en este manual, están garantizados por World Dryer Corporation al dueño original contra defectos de fabricación o de materiales durante el uso normal durante cinco años y tres años para controles electrónicos después de la fecha de compra. Modelos de exportación incluidos en este manual están garantizados por cinco años a partir de la fecha de compra. Desgaste normal o abuso de cualquier componente está excluido de esta garantía. Cualquier parte que está decidido a ser defectuoso en materiales o mano de obra y devuelto, los gastos pagados, de envío será, como remedio exclusivo, reparado o reemplazado, a opción del mundo. Garantía limitada reclamo procedimientos, consulte "oportuna" a continuación. Esta garantía limitada otorga al comprador derechos legales específicos que varían de jurisdicción a jurisdicción.

**ÍMITES DE RESPONSABILIDAD.** En la medida en que las leyes aplicables lo permitan, se excluye expresamente la responsabilidad de World Dryer por daños indirectos o menores. La responsabilidad de World Dryer se limita al precio de compra pagado, al cual no sobrepasará.

**EXCLUSIÓN DE RESPONSABILIDAD DE LA GARANTÍA.** World Dryer se ha esforzado diligentemente en proporcionar a través de este manual información e ilustraciones concernientes al producto; sin embargo, esta información y estas ilustraciones tienen como único fin la identificación del producto, y no expresan ni implican garantía de que los productos sean VENDIBLES o ADECUADOS A UN PROPÓSITO EN PARTICULAR, ni que se ajusten necesariamente a las ilustraciones o descripciones. Con excepción de lo que se establece a continuación, World Dryer no hace ni autoriza ninguna garantía o afirmación de hecho, expresa o implícita, que no se estipule en la "GARANTÍA LIMITADA" anterior.

**ADECUACIÓN DEL PRODUCTO.** Muchas jurisdicciones tienen códigos o reglamentos sobre la venta, el diseño, la instalación y/o el uso de productos para ciertas aplicaciones; dichas leyes pueden variar de un área a otra. Si bien World Dryer trata que los productos cumplan con estos códigos, no puede garantizar su cumplimiento ni puede hacerse responsable de la forma en que se instale o utilice el producto. Antes de comprar y utilizar el producto, revise su aplicación y todos los códigos y reglamentos nacionales y locales aplicables, y asegúrese de que el producto, la instalación y el uso los cumplan.

Ciertos aspectos de las limitaciones de responsabilidad no se aplican a los productos de consumo; es decir (a) algunas jurisdicciones no permiten la exclusión o limitación de daños menores o indirectos, por lo cual la limitación o exclusión anterior quizás no se aplique en su caso; (b) asimismo, algunas jurisdicciones no permiten limitar el plazo de las garantías implícitas, por lo cual la limitación anterior quizás no se aplique en su caso; y (c) por ley, mientras estén vigentes, no pueden excluirse ni de ninguna otra manera denegarse la Garantía Limitada y las garantías implícitas de comerciabilidad o idoneidad para un propósito en particular implícitas que corresponden a los productos de consumo adquiridos por los consumidores.

Fabricado por World Dryer Corporation, Berkeley, Illinois 60163 EE. UU.

**ATENCIÓN OPORTUNA.** World Dryer hará un esfuerzo de buena fe para corregir oportunamente o hacer otros ajustes relacionados con cualquier producto que resulte defectuoso dentro de los términos de esta garantía limitada. En el caso de que encuentre un producto defectuoso y que esté cubierto dentro de los límites de esta garantía haga el favor de escribir primero, o llame, al distribuidor a quien le compró el producto. El distribuidor le dará las instrucciones adicionales. Si no logra resolver el problema de forma satisfactoria, escriba a World a la siguiente dirección, y proporcione el nombre y la dirección del distribuidor así como la fecha y el número de su factura, y describa la naturaleza del defecto. La propiedad del artículo y el riesgo de pérdida pasan al comprador en el momento de la entrega del artículo a la compañía de transporte. Si el producto se daña durante el transporte, debe presentar su reclamo a la compañía transportista.



**WORLD DRYER**

5700 McDermott Drive  
Berkeley, IL 60163 EE. UU.  
800-323-0701  
www.worlddryer.com

## Description

Le sèche-mains à air chaud à moteur universel avec balais de World offre une puissance de séchage de 1100 watts. Ce sèche-mains requiert une alimentation électrique de 220-240 volts CA. Un capteur infrarouge met en marche et arrête automatiquement le sèche-mains. Ce modèle est conçu pour être utilisé dans les établissements commerciaux, industriels, publics et dans les bureaux.


## Caractéristiques électriques

Tableau 1


Modèles	Type	Alimentation électrique	Intensité nominale	Puissance nominale	Homologations
J-XXX	Automatique	120 Vc.a., 50/60Hz	9.6 A	1100	UL, E320188
J4-XXX	Automatique	208 - 240 Vc.a., 50/60Hz	4,8 A	1100	UL, E320188

## Consignes générales de sécurité


Cet appareil n'est pas conçu pour être utilisé par de jeunes enfants ou des personnes ayant une incapacité physique, sensorielle ou mentale sans la supervision adéquate d'une personne responsable pour assurer que l'appareil est utilisé en toute sécurité. Les jeunes enfants doivent être surveillés afin de ne pas les laisser jouer avec l'appareil.

 **DANGER** Négliger de débrancher la source d'alimentation avant de procéder à l'installation peut entraîner des blessures graves ou mortelles provoquées par une décharge électrique.


- Toujours débrancher la source d'alimentation avant de réparer ou d'installer le sèche-mains.

 **DANGER** Négliger de mettre cet appareil à la terre correctement peut entraîner une décharge électrique grave ou mortelle.

- Ce sèche-mains doit être mis à la terre correctement pour fonctionner en toute sécurité. Un point de raccordement pour la mise à la terre est fourni et identifié sur la base murale du sèche-mains.
- Nous recommandons une protection par disjoncteur de fuite à la terre dans les endroits mouillés ou humides, ou si les normes locales l'exigent.

 **AVERTISSEMENT** Un risque d'incendie, de blessures ou de dommages matériels est possible en cas de non-respect des codes locaux en vigueur ou des recommandations de sécurité.

- N'utiliser que le type d'alimentation électrique (tension et fréquence) spécifié pour le modèle de sèche-mains en cours d'installation. Consulter le tableau 1 – Caractéristiques électriques.
- Raccorder le sèche-mains au panneau de distribution qui convient le plus proche. Le câblage fixe doit comporter un moyen de déconnexion conforme aux codes électriques locaux.
- Pour limiter les chutes de tension et garantir un fonctionnement efficace, utiliser du fil de calibre 12 AWG (4 mm<sup>2</sup>) ou plus gros conformément aux codes électriques locaux en vigueur.
- Toujours raccorder l'appareil à un circuit de dérivation protégé par un disjoncteur ou un fusible d'une capacité supérieure à l'intensité nominale du modèle de sèche-mains indiquée au Tableau 1 Caractéristiques électriques.
- Afin d'éviter les risques liés à un réamorçage accidentel du thermo-contact, cet appareil ne doit pas être alimenté par un interrupteur externe, comme une minuterie, ni branché sur un circuit régulièrement allumé et éteint par le fournisseur d'électricité.
- Chaque modèle de sèche-mains doit avoir son propre circuit réservé.
- Acheminer le câblage loin de toute pièce mobile à l'intérieur du sèche-mains.

 **ATTENTION** Un montage incorrect de ce sèche-mains risque de provoquer des blessures ou des dommages matériels.

- Suivre les recommandations sur la hauteur d'installation indiquée au Tableau 2.
- Sur une cloison à montants, installer un côté du sèche-mains sur un montant existant.

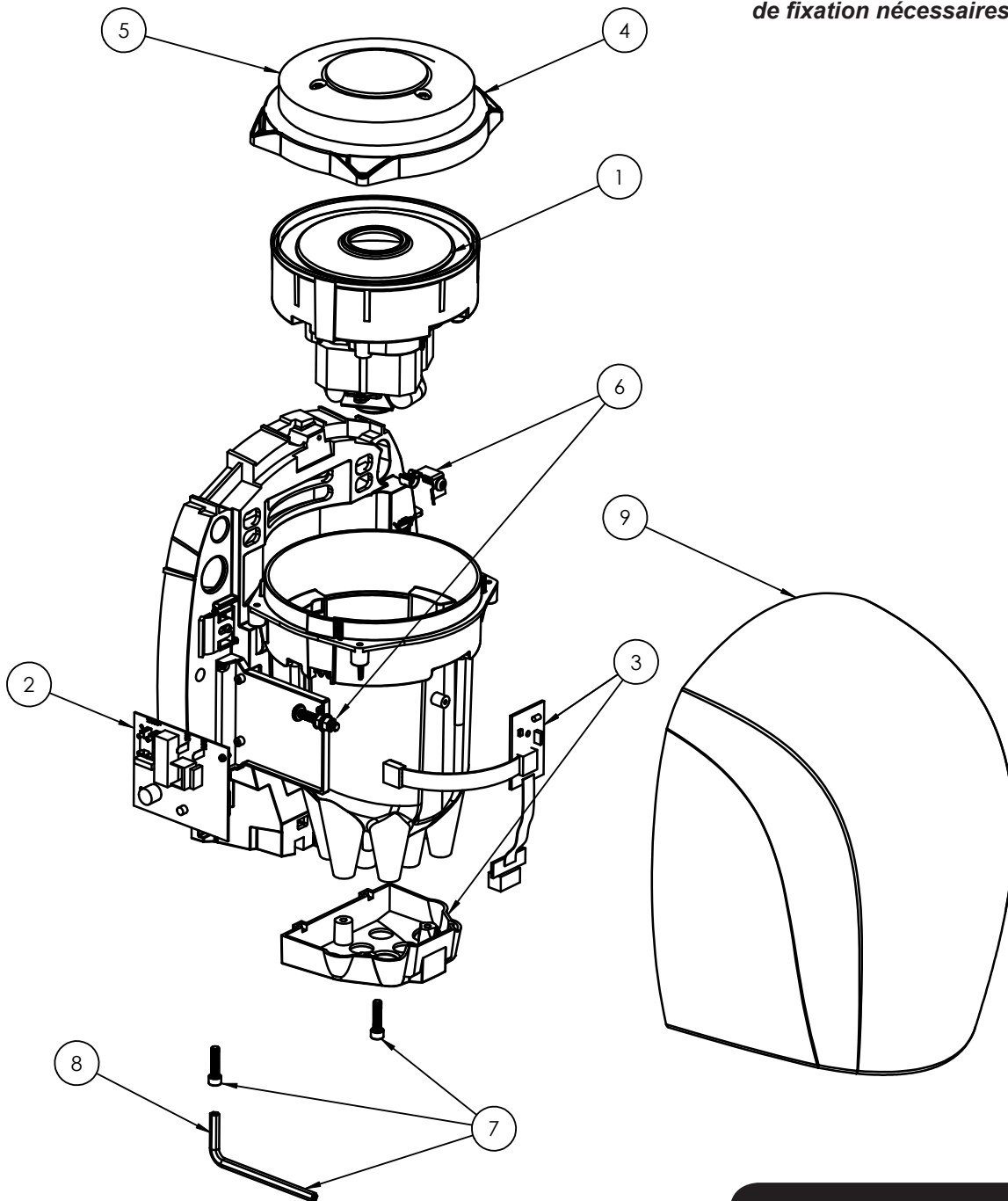
## Déballage

1. Retirer le fusible ou couper le courant du sèche-mains au panneau électrique.
2. À l'aide de la clé hexagonale fournie avec le sèche-mains, tourner vers la droite les deux vis Allen au fond du boîtier de l'appareil.
3. Enlever le capot du sèche-mains.

# Liste des pièces

## Liste des pièces du sèche-mains Airforce

*Tous les ensembles comprennent les pièces de fixation nécessaires à l'installation.*



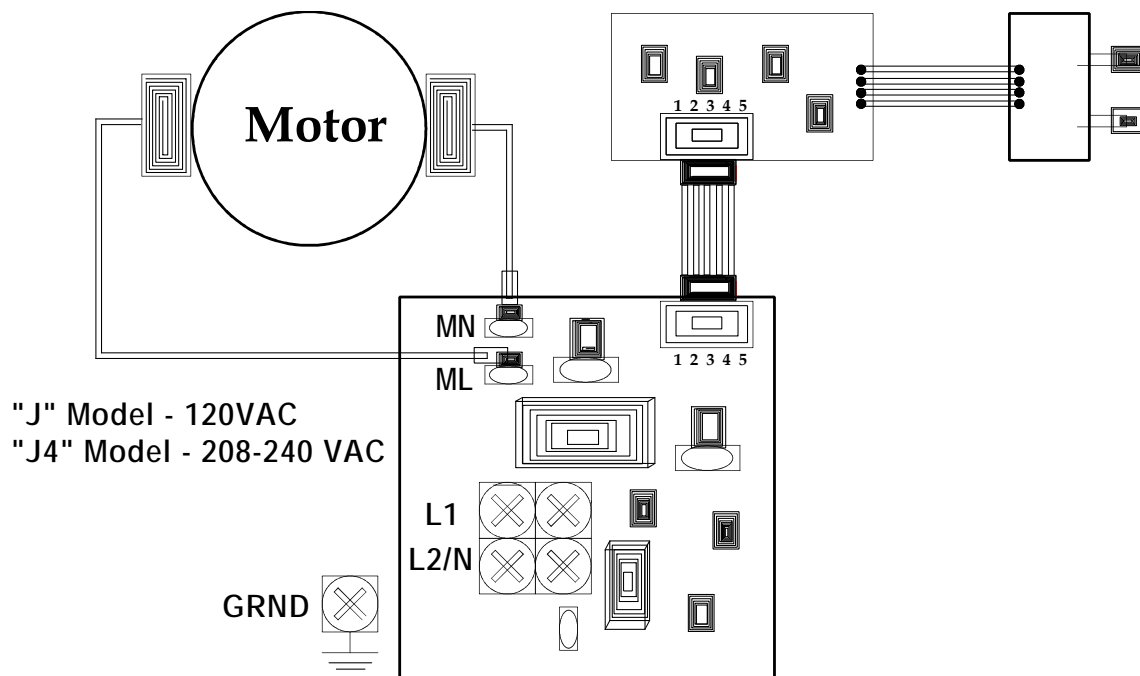
Pour les pièces de rechange, consulter [www.WorldDryer.com](http://www.WorldDryer.com)  
Fournir l'information suivante :

- Numéro de modèle
- Numéro de série
- Description et numéro de la pièce figurant sur la liste des pièces

#	Description	Numéro de pièce	Q <sup>te</sup>
1a	Moteur, 120 V (J Model)	32-J120K	1
1b	Moteur, 230 V (J4 Model)	32-J240K	1
2	Trousse, Commandes principales (tout)	16-200K	1
3	Trousse, IR Capteur (tout)	49-200K	1
4	Trousse, Plenum Cap	47-120309K	1
5	Filtre d'entrée d'air	93-120309	1
6	Trousse, échouage	52-030244K	1
7	Inviolables vis de couverture et clé	46-040221K	2
8	Clé	56-40189	1
9a	Couverture, aluminium, blanc	20-243-974JK	1
9b	Couverture, aluminium Chrome, poli	20-243-970JK	1
9c	Couverture, aluminium Chrome brossé	20-243-971JK	1
9d	Couverture, aluminium noir	20-243-162JK	1
9e	Couverture, Acier, blanc	20-243-975JK	1
9f	Couverture, Acier inoxydable, poli	20-243-972JK	1
9g	Couverture, Acier inoxydable brossé	20-243-973JK	1

Tous les kits comprennent des fixations nécessaires pour l'installation.

## Schéma de câblage



# Installation

1. Couper la source d'alimentation électrique.
2. Utiliser la clé hexagonale de sécurité fournie pour tourner les vis de montage du capot vers la droite afin d'enlever le capot du sèche-mains.
3. Placer la base du sèche-mains sur le mur à l'emplacement souhaité en se reportant au Tableau 2 pour déterminer la hauteur de montage recommandée. La base étant dans cette position, l'utiliser comme gabarit pour marquer l'emplacement des 4 trous des boulons de fixation sur le mur. S'assurer qu'aucun objet réfléchissant (comme un lavabo) ne se trouve directement sous la lentille du capteur infrarouge; la distance minimale est de 46 cm (18 po).
4. Fixer la base au mur au moyen des boulons du type recommandé, tel qu'indiqué au Tableau 3.
5. Tout sèche-mains automatique doit avoir son propre circuit réservé de 10 ampères.
6. Brancher le sèche-mains au panneau de distribution le plus proche.
7. Remettre le capot en place, tourner les vis vers la gauche sans trop les serrer.

**IMPORTANT: Consulter les règlements locaux et généraux avant d'installer le sèche-mains. S'assurer que le réseau électrique n'est pas surchargé. Ne pas raccorder l'appareil à un circuit de dérivation de plus de 10 A.**

## Tableau 2

Hauteurs de montage recommandées entre le plancher et le bord inférieur du sèche-mains	cm (po)
Toilettes pour hommes	117 (46)
Toilettes pour femmes	112 (44)
Toilettes pour enfants de 4 à 7 ans	81 (32)
Toilettes pour enfants de 7 à 10 ans	91 (36)
Toilettes pour enfants de 10 à 13 ans	102 (40)
Toilettes pour enfants de 13 à 17 ans	112 (44)
Hauteur de montage pour les personnes handicapées	94 (37)

## Tableau 3

Type de mur	Type de boulon	Longueur minimale des boulons
Parpaings creux, lattes, panneaux de revêtement ou métal	Boulons type vis M6 (1/4 po) ou à ailettes	Selon l'épaisseur du mur
Ciment ou brique, carrelés ou non	Boulons type goujon M6 (1/4 po) à coquille d'expansion	76 mm (3 po)
Colombage avec support en bois	Vis à bois (M8) no 16	70 mm (2 3/4 po)

# Instructions d'entretien et de nettoyage

## Entretien

1. Retirer le fusible ou couper le courant du sèche-mains au panneau électrique.
2. À l'aide de la clé hexagonale fournie avec le sèche-mains, tourner vers la droite les deux vis Allen au fond du boîtier de l'appareil.
3. Enlever le capot du sèche-mains.

## Instructions de nettoyage

Lire toutes les instructions avant de commencer. Dans des conditions d'utilisation normales, le nettoyage du sèche-mains une fois par an le maintient en bon état de marche. Si la fréquentation des toilettes est supérieure à la normale, effectuer le nettoyage tous les 6 mois. L'accumulation de charpies et de poussières dans le sèche-mains peut endommager le moteur.

1. Couper l'alimentation électrique du sèche-mains au panneau de disjoncteurs ou de fusibles.
2. À l'aide de la clé hexagonale fournie avec le sèche-mains, tourner les deux vis du capot vers la droite. Soutenir le capot pendant l'enlèvement des vis.
3. Avec un aspirateur, enlever la poussière du ventilateur et du boîtier. Prendre garde de ne pas endommager le câblage ni les circuits imprimés.
4. Pour enlever la grille d'aspiration du moteur, dévisser les quatre (4) vis. Le moteur est alors accessible pour le nettoyer ou le replacer.
5. Utiliser un pinceau à soies souples de 13 mm (1/2 po) pour dépoussiérer et nettoyer le moteur.
6. Remettre le capot. Replacer le capot bien droit sur la base et en l'appuyant contre le mur. Tourner les vis de montage vers la gauche et serrer jusqu'à ce qu'elles soient bien appuyées. Ne pas trop les serrer.

## Tableau de dépannage

Le sèche-mains ne démarre pas	Le capteur est obstrué	1. Vérifier que la lentille du capteur ne contient pas de corps étrangers ni de saletés. Nettoyer la lentille avec un chiffon doux humide et un nettoyant doux. 2. Si la lentille est endommagée ou rayée, la remplacer.
	Il n'y a pas de courant alimentant l'appareil	Vérifier que l'alimentation est en MARCHÉ. Vérifier les branchements électriques
	Le circuit imprimé et le capteur sont défectueux	Vérifier si le relais du circuit imprimé produit un « clic ». Si aucun « clic » ne se produit, remplacer le circuit imprimé et le capteur
	Le moteur est défectueux	Si le « clic » du relais se produit mais que l'appareil ne démarre pas, remplacer l'ensemble moteur/ventilateur
Le sèche-mains fonctionne sans s'arrêter pendant 20-30 secondes et ne redémarre plus	Le capteur est obstrué	1. Vérifier que la lentille du capteur ne contient pas de corps étrangers ni de saletés. Nettoyer la lentille avec un chiffon doux humide et un nettoyant doux. 2. Si la lentille est endommagée ou rayée, la remplacer.
	Le capteur reçoit de faux signaux ou un reflet de surface réfléchissante	1. Le sèche-mains doit être monté au moins à 46 cm (18 po) au-dessus de toute surface réfléchissante. 2. Vérifier si d'autres appareils à infrarouge se trouvent à proximité, qui pourraient déclencher le sèche-mains. 3. Remplacer le circuit imprimé et le capteur.
	L'alimentation électrique fluctue	1. Plusieurs sèche-mains sont sur un seul circuit ou plusieurs sèche-mains partagent un circuit d'éclairage. Chaque sèche-mains automatique doit se trouver sur un circuit distinct. 2. Les câbles de l'établissement peuvent être de calibre insuffisant ou la source d'alimentation est trop éloignée.
Moteur bruyant ou qui vibre	Support mural du sèche-mains desserré	Vérifier le serrage des vis de montage et que le sèche-mains est bien fixé au mur.
	Moteur et ventilateur défectueux	Remplacer l'ensemble de moteur et ventilateur.
Air du sèche-mains trop chaud	Entrée d'air obstruée	Vérifier et enlever tout corps étranger pouvant obstruer les orifices d'entrée d'air. Utiliser un pinceau à soies souples et un aspirateur pour nettoyer les orifices d'entrée d'air.
	Filtre à air encrassé	Nettoyer ou remplacer le filtre à air. Pour nettoyer le filtre à air, l'enlever et utiliser un pinceau à soies souples et un aspirateur pour éliminer tous les corps étrangers. Si le filtre à air ne peut pas être complètement nettoyé, le remplacer.

## Garantie limitée

**GARANTIE LIMITÉE DE CINQ ANS DE World.** Les modèles de sèche-mains World Dryer nord-américains à air chaud couverts dans ce manuel sont garantis par la société World Dryer à l'acheteur d'origine contre tout défaut de fabrication ou de matériau dans des conditions d'utilisation normales durant cinq ans et durant trois ans pour les commandes électroniques à compter de la date d'achat. Les modèles d'exportation couverts dans ce manuel sont garantis cinq ans à compter de la date d'achat. L'usure normale ou les abus relatifs à toute composante sont exclus de cette garantie. Toute pièce présentant un défaut de fabrication ou de matériau et retournée, port payé, sera réparée ou remplacée, au choix de World, à titre de recours exclusif. Voir les procédures de réclamations sous garantie à la section « Règlement rapide », ci-dessous. La présente garantie limitée donne aux acheteurs des droits spécifiques qui varient selon les juridictions.

**LIMITES DE RESPONSABILITÉ.** Dans la mesure permise par la loi en vigueur, World décline expressément toute responsabilité pour dommage consécutif ou accessoire. La responsabilité de World est dans tous les cas limitée et ne saurait dépasser le prix d'achat.

**EXONÉRATION DE GARANTIE.** World s'est efforcée d'illustrer et de décrire avec exactitude les produits de cette brochure. Toutefois, ces illustrations et ces descriptions ne sont données qu'aux fins d'identification et ne constituent pas une garantie expresse ou implicite que les produits sont de VALEUR MARCHANDE ou ADAPTÉS À UN USAGE PARTICULIER, ou qu'ils seront nécessairement conformes aux illustrations ou aux descriptions fournies. Sauf dispositions contraires ci-dessous, aucune garantie ou affirmation de fait, expresse ou implicite, autre que celle énoncée à la section « GARANTIE LIMITÉE » ci-dessus, n'est fournie ou autorisée par World.

**ADÉQUATION DU PRODUIT.** Dans de nombreuses juridictions, les normes et règlements qui régissent les ventes, la construction, l'installation et/ou l'utilisation de produits à certaines fins peuvent être différentes de celles des régions avoisinantes. Bien que World se soit efforcée de rendre ses produits conformes à ces codes, la société ne peut en garantir la conformité et ne saurait être responsable de la manière dont les produits sont installés ou utilisés. Avant d'acheter et d'utiliser un produit, il est conseillé d'étudier son application ainsi que les normes et règlements nationaux et locaux, et de s'assurer que le produit, son installation et son utilisation y sont conformes.

Certains aspects des exonérations de garantie ne sont pas applicables aux produits de consommation. Par exemple, (a) certaines juridictions n'autorisent pas l'exclusion ou la limitation des dommages accessoires ou consécutifs, de sorte que ladite limitation ou exclusion peut ne pas s'appliquer à votre situation; (b) de plus, certaines juridictions n'autorisent pas de limiter la durée d'une garantie implicite, il se peut que la limite mentionnée ci-dessus ne s'applique pas à votre situation; et (c) en vertu de la loi, au cours de la période de garantie limitée, toute garantie implicite de valeur marchande ou d'adéquation à un usage particulier applicable aux produits de consommation achetés par des consommateurs, est susceptible de ne pas pouvoir être exclue ou autrement exonérée. Fabriqué par World Dryer Corporation, Berkeley, Illinois 60163 États-Unis.

**RÈGLEMENT RAPIDE.** World s'efforcera en toute bonne foi d'apporter rapidement les corrections ou ajustements prévus à tout produit qui s'avère défectueux au cours de la période de garantie limitée. Pour tout produit jugé défectueux au cours de la période de garantie limitée, contacter tout d'abord le marchand chez qui l'appareil a été acheté. Le marchand fournira des instructions supplémentaires. S'il est impossible de résoudre le problème de façon satisfaisante, écrire à World à l'adresse ci-dessous, en indiquant le nom et l'adresse du marchand, la date et le numéro de la facture du marchand, ainsi que la nature de la défectuosité. Le titre et le risque de perte passent à l'acheteur au moment de la livraison par le transporteur. Si le produit a été endommagé pendant le transport, une réclamation doit être adressée auprès du transporteur.