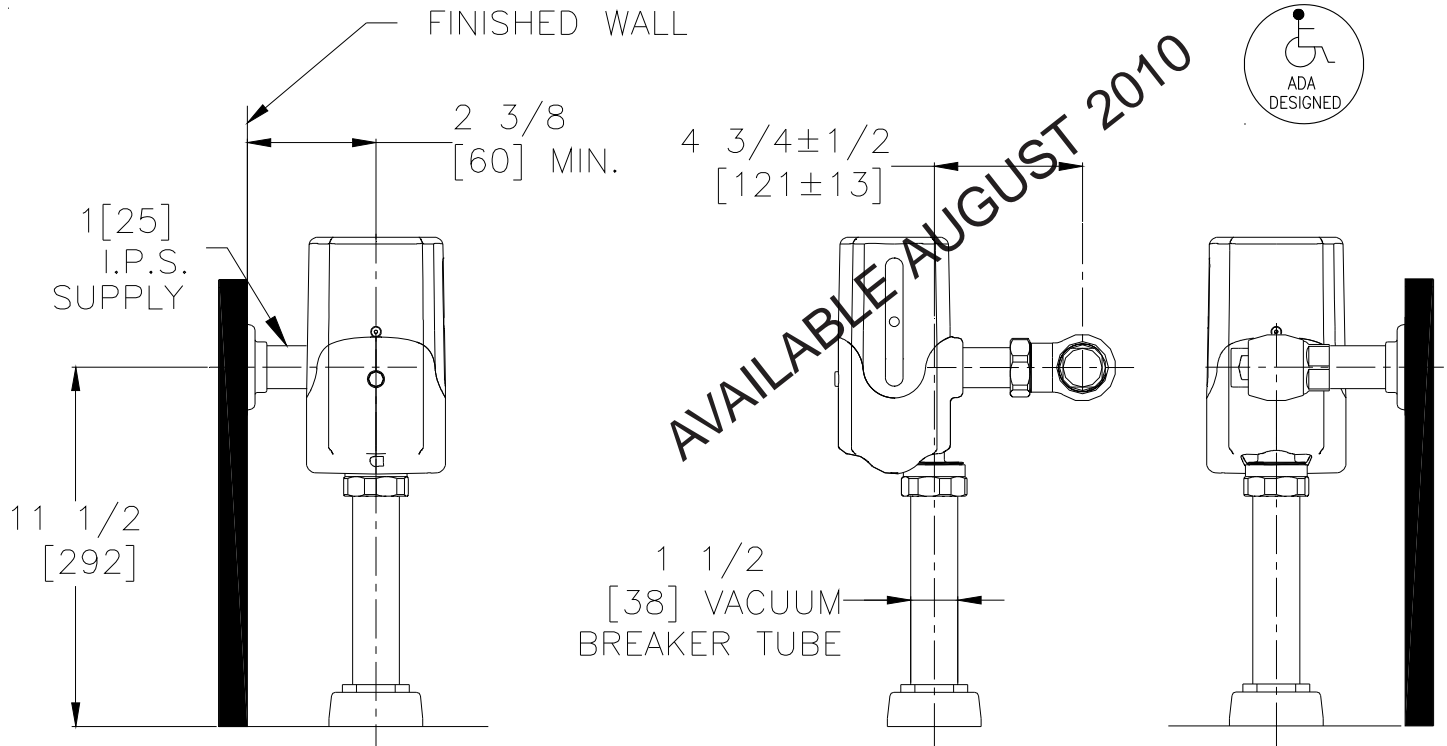




# ZGEN6200EV

## Hydro Generator Powered Flush Valve for 1.28 GPF Water Closets



### Suffix Options (Check/Specify Appropriate Options)

- |       |     |                         |
|-------|-----|-------------------------|
| _____ | -YJ | Split Ring Pipe Support |
| _____ | -YK | Solid Ring Pipe Support |
| _____ | -YO | Bumper on Angle Stop    |
| _____ |     | Other                   |

### ENGINEERING SPECIFICATION: ZURN ZGEN6200EV 1.28 GPF Hydro Generator Powered Flush Valve-

Zurn HydroVantage™ ZGEN6200EV high efficiency 1.28 gpf flush valve operated by Zurn 4.0 Sensor Technology™ and powered by a self sustaining hydro generator which creates electrical energy with each activation and stores it in a rechargeable energy cell. The hydro generator, energy cell, and a back-up battery combine for a self-sustaining system for approximately 10 years. The valve incorporates Zurn Environmental Trending Technology™ which continually monitors light and usage levels to maximize power savings. The valve is furnished with a true manual override button, filtered piston operator, high pressure vacuum breaker, vandal resistant stop cap, sweat solder kit, cast wall flange with set screw and stop valve with anti-siphon back check feature. All gaskets and seals are chemical and chloramine resistant for extended life. Additional features include:

- Data retrieval port
- Cast Brass Valve Body of Dezincification Resistant Alloy
- Diagnostic trouble shooting features
- Replaceable back-up battery
- All metal chrome plated housings
- Five year warranty

This space is for Architectural/Engineering Approval

The information contained in this document is subject to change without notice. Please contact Zurn for most up to date information.

Air Delights, Inc. - 9974 SW Arctic Dr. - Beaverton, Or. 97005  
Phone: 800-440-5556 or 503-643-8224 - Fax: 503-643-8224

Email: [Customer\\_Service@airdelights.com](mailto:Customer_Service@airdelights.com) - Web: [www.airdelights.com](http://www.airdelights.com)