



Z5798

1/8 gpf, EcoVantage®, High Efficiency Urinal (HEU) System

TAG



Z5798 Series

Suffix Options:

- ~~UB~~ Universal retro-fit mounting bracket. Time saving urinal mounting bracket allows the urinal to be mounted to existing carrier studs and outlet piping without the need to make any adjustments behind the wall in most applications.

These dimensions and specifications are subject to change without notice.

Fixture dimensions meet ANSI/ASME standards A112.19.2-2003 and CAN/CSA B45 requirements.

Meets the American Disabilities Guidelines and ANSI A117.1 requirements when urinal is installed 17" [432 mm] from finished floor.



Z5798 Series

- Zurn One ultra low consumption urinal system designed for optimal performance between Zurn fixture and Zurn flush valve to save water while exceeding industry performance standards
- 1/8 gallons per flush [0.5 Liters per flush]
- Vitreous china
- High efficiency washout flushing action
- Over 85% water savings over standard 1.0 gpf [4.0 Lpf] system
- Pressure compensating internal flow regulator
- Oversized footprint to make retrofit easy
- 3/4" top spud
- 2" I.P.S. outlet flange and rubber gasket with integral trap
- 14" extended rim for handicap compliance when installed at proper height
- Vandal resistant outlet strainer included
- Shipping Weight: 65 lbs.

ENGINEERING SPECIFICATION:

Z5798 EcoVantage® High Efficiency Urinal (HEU) System- System comes complete with exposed ZEG6003AV high efficiency flushometer valve and vitreous china urinal. The system is designed to perform to industry standards with as little as 1/8th gallon per flush. Valve is operated by an infrared convergence-type proximity sensor with smart technology, powered by 4 "AA" batteries, furnished with vandal resistant chrome plated metal housing, chloramine resistant internal seals, and reversible cover. Valve features an internal flow regulator to maintain constant flow rates independent of line pressures and an in-line filter to protect the valve from debris within the water. Complete with high pressure vacuum breaker, one piece hex coupling nut, adjustable tailpiece, spud coupling and flange for top spud connection. Control stop has internal siphon-guard protection, vandal resistant stop cap, sweat solder kit, and a cast wall flange with set screw. Vitreous china urinal is supplied with 3/4" top spud, 2" outlet connection and vandal resistant outlet strainer.



www.GreenSpec.com

~~This space is for Architectural/Engineering Approval~~



AIR DELIGHTS, INC. - 9974 SW ARCTIC DR. - BEAVERTON, OREGON, 97005
Phone: 1-800-440-5556 - Fax: 503-643-8224 - World Wide Web: www.airdelights.com

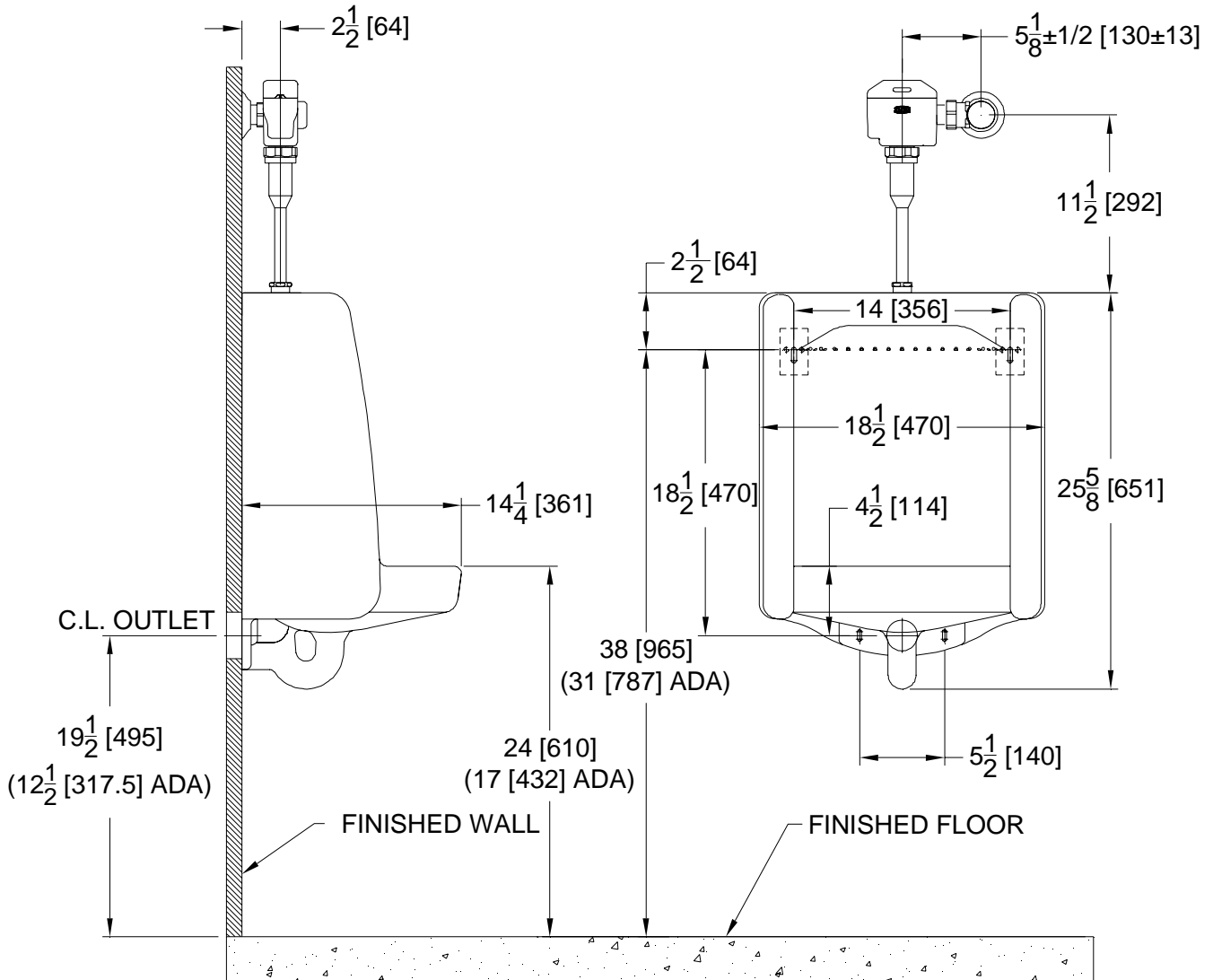


Z5798

1/8 gpf, EcoVantage® High Efficiency Urinal (HEU) System. Rough-In

TAG _____

Rough-in dimensions for Z5798 Series
*Z5798 with top spud



These dimensions and specifications are subject to change without notice.

Fixture dimensions meet ANSI/ASME standard A112.19.2-2003 and CAN/CSA B45 requirements.

Meets the American Disabilities Guidelines and ANSI A117.1 requirements when urinal is installed 17" [432 mm] from finished floor.



AIR DELIGHTS, INC. - 9974 SW ARCTIC DR. - BEAVERTON, OREGON, 97005
Phone: 1-800-440-5556 - Fax: 503-643-8224 - World Wide Web: www.airdelights.com