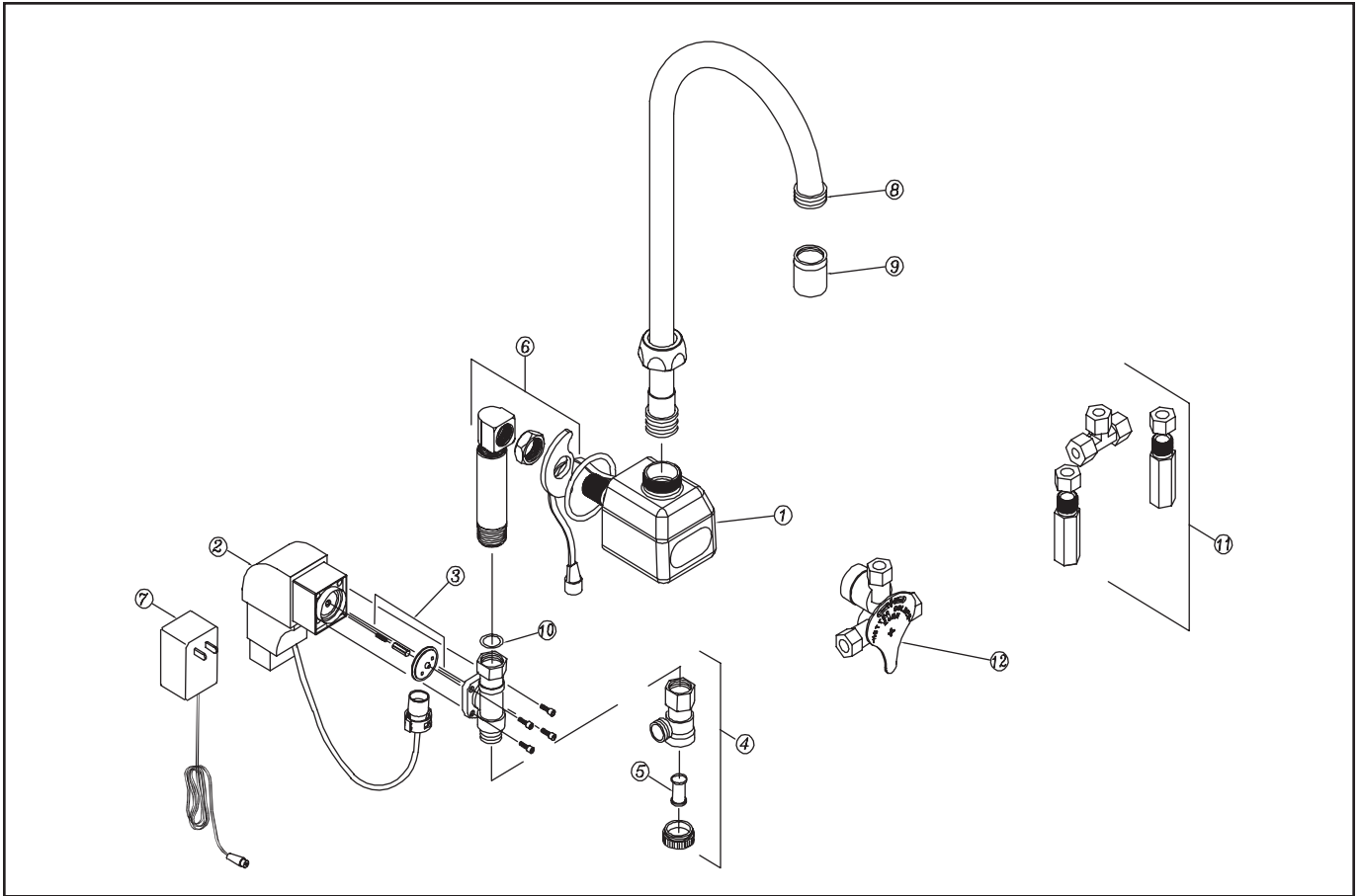


# Z6922 Repair Kits



AquaSense 'A'  
Battery-Powered Faucets



Description	Product No.
1. Spout Base with Sensor Assembly	P6922-1
2. Electronics Box with Solenoid	P6900-B-L-EXT
3. Solenoid Rebuild Kit (Diaphragm, Plunger, and Plunger Spring)	P6900-SRK
4. Filter Kit	P6900-120
5. Filter Screen	P6900-MV-7
6. Mounting Kit	P6922-43
7. Optional Plug-in Power Converter	P6900-ACA
8. 5-3/8" Gooseneck Spout with Nut	P6900-GB
9. 2.0 GPM Vandal-Resistant Aerator	P6900-20A-GN
10. Shank Gasket	P6900-SG
11. Mixing Tee with Filters and Backchecks	P6900-MT
12. Mixing Valve with Filter	P6900-MV