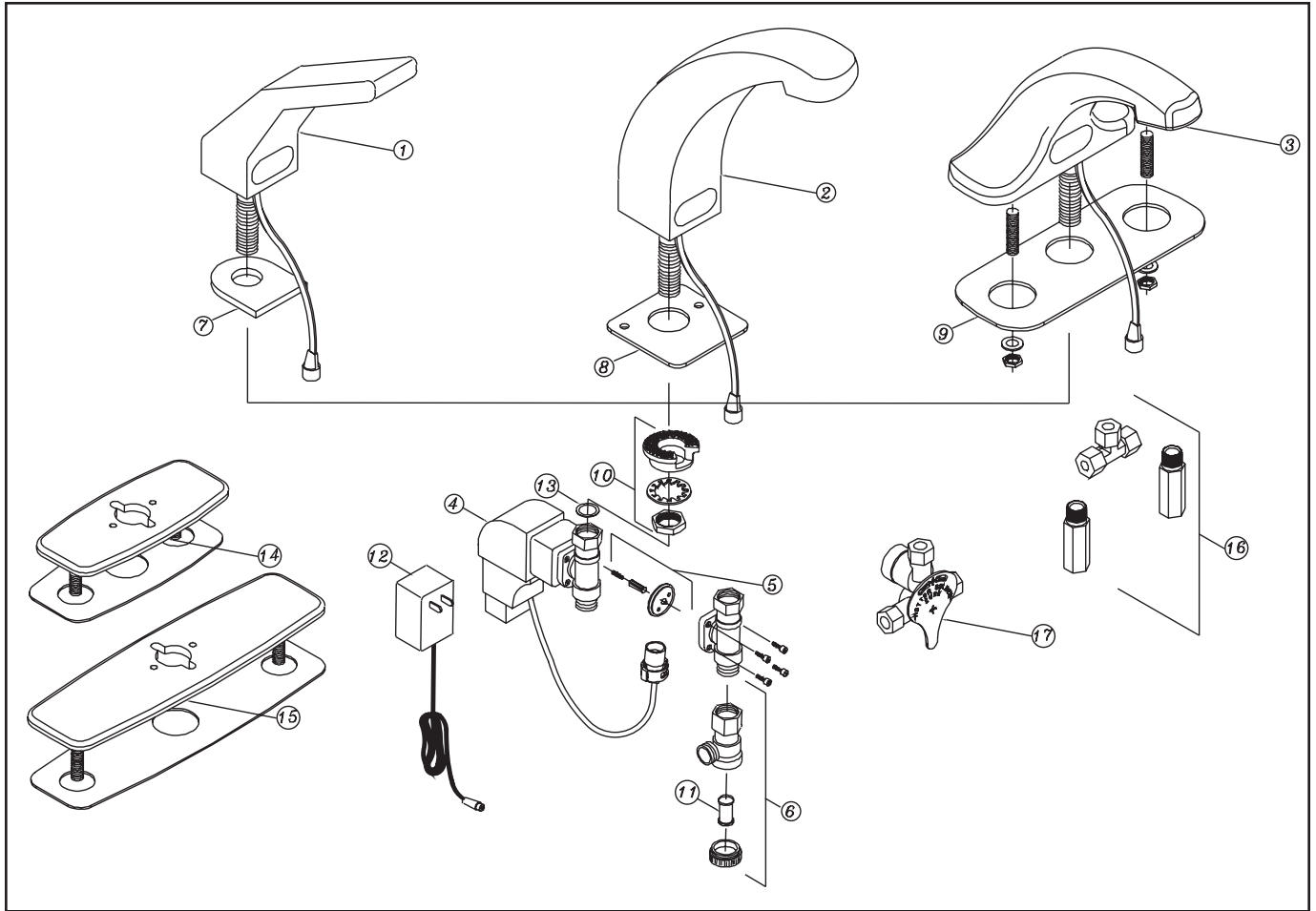


Z6912, Z6913, and Z6915 Repair Kits



AquaSense 'A'
Battery-Powered Faucets



Description	Product No.
1. Z6912 Spout Assembly with Sensor	P6912-1
2. Z6913 Spout Assembly with Sensor	P6913-1
3. Z6915 Spout Assembly with Sensor	P6915-1
4. Electronics Box with Solenoid	P6900-B-L
5. Solenoid Rebuild Kit (Diaphragm, Plunger, and Plunger Spring)	P6900-SRK
6. Filter Kit	P6900-120
7. Z6912 Base Plate Gasket	P6912-42
8. Z6913 Base Plate Gasket	P6913-42
9. Z6915 Base Plate Gasket	P6915-42
10. Mounting Kit	P6900-43
11. Filter Screen	P6900-MV-7
12. Optional Plug-in Power Converter	P6900-ACA
13. Shank Connection Gasket	P6900-SG
14. 4" Cast Cover Plate with Gasket	P6913-12CP4
15. 8" Cast Cover Plate with Gasket	P6913-12CP8
16. Mixing Tee with Filters and Backchecks	P6900-MT
17. Mixing Valve with Filter	P6900-MV