



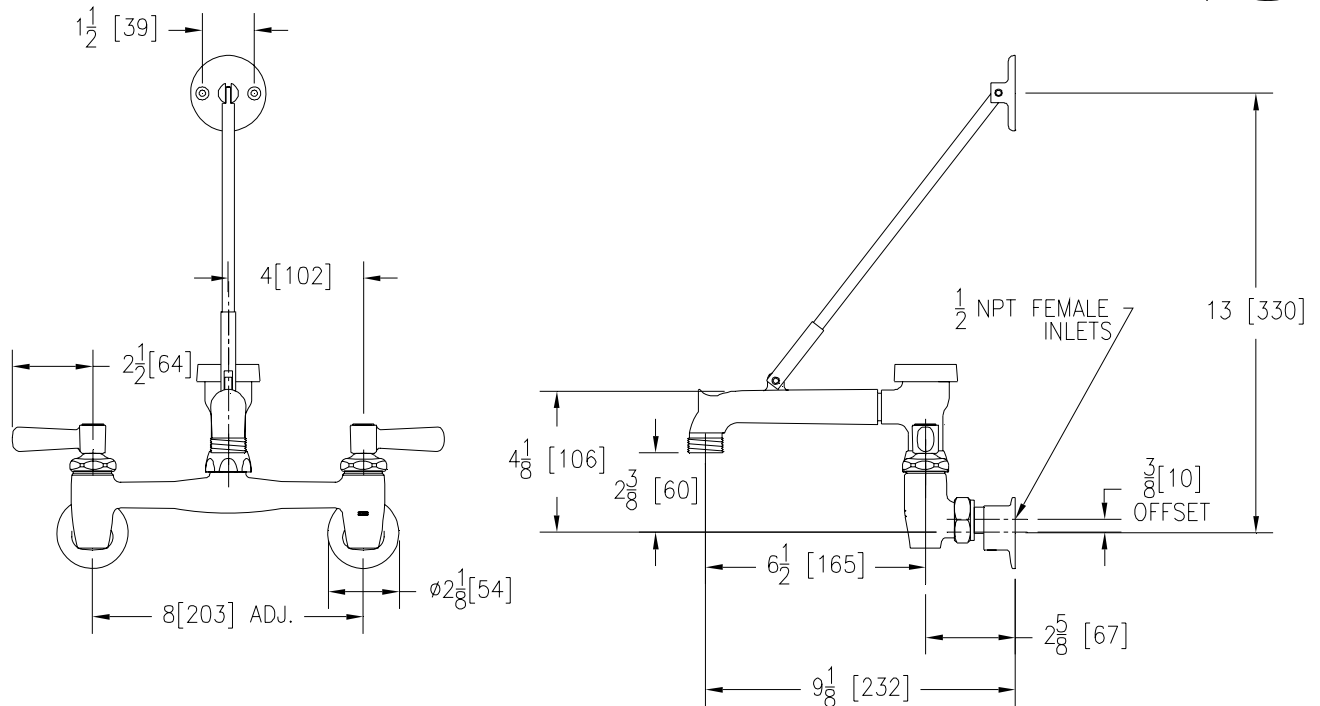
# SINK FAUCET Z843M1

TAG \_\_\_\_\_



### Engineering Specifications: Zurn AquaSpec® Z843M1

Polished chrome-plated cast brass 8" [203mm] sink faucet with quarter turn ceramic disc cartridges, 3/8" [10mm] short swivel inlets providing adjustable centers from 7-1/4" [184mm] to 8-3/4" [222mm], integral service stops and a 6" [152mm] centerline cast brass spout with chemical resistant atmospheric vacuum breaker, 3/4" hose threaded outlet, pail hook and adjustable wall brace. Unit is furnished with 2-1/2" [64mm] vandal-resistant color-coded brass lever handles. Vacuum breaker is certified to the Uniform Plumbing Code®, ASSE 1001-2002 and CSA B64-01.



Note: All dimensions are for reference only. Do not use for pre-plumbing

### OPTIONAL ACCESSORIES

Suffix	Description
___-CS	Check Stops
___-HCT	Hot/Cold Text Indexes
___-LSI	2-1/2" [64mm] Long Swivel Inlets
___-RC	Rough Chrome Plated
___-WHK	Wall Hook
___-5H	5' [152cm] Vinyl Hose
___-6P	Master Carton (Qty. 6)

AIR DELIGHTS, INC. ♦ COMMERCIAL BRASS OPERATION ♦ 9974 SW ARCTIC DR. ♦ BEAVERTON, OR. 97005

Phone: 1-800-440-5556 ♦ Fax: 1-503-643-8224 ♦ World Wide Web: www.airdelights.com

In Canada: ZURN INDUSTRIES LIMITED ♦ 3544 Nashua Drive ♦ Mississauga, Ontario L4V1L2 ♦ Phone: 503/352-1201 Fax: 503/643-8224