

AQUASPEC FAUCETS

MODEL – Z81000 SERIES
SINGLE CONTROL FAUCET



TECHNICAL INFORMATION

FLOW: 2.2 GPM [7.6 L] VARIABLE ORIFICE AERATOR*

MAXIMUM PRESSURE: 125 PSI

CARTRIDGE STYLE: CERAMIC DISC MIXING CARTRIDGE WITH TEMPERATURE LIMIT STOP

* OTHER AERATORS AVAILABLE BY REQUEST

INSTALLATION INSTRUCTIONS

1. MOUNT GASKET (ITEM #6) ONTO SHANKS OF FAUCET BODY (ITEM #5).
 2. PLACE FAUCET WITH GASKET ON SINK THROUGH PRE-DRILLED MOUNTING HOLES IN SINK.
 3. SECURE FAUCET (ITEM #5) TO SINK USING MOUNTING NUTS (ITEM #7A). **DO NOT OVERTIGHTEN.**
 4. INSTALL HANDLE (ITEM #1A).
 - 4.1. REMOVE COLORED HOT/COLD INDEX (ITEM #1C) FROM HANDLE BY PRESSING OUT FROM UNDERSIDE OF HANDLE (ITEM #1A).
 - 4.2. LOOSEN SETSCREW (ITEM #1B) USING 3/32" ALLEN WRENCH.
 - 4.3. SLIDE HANDLE ONTO STEM OF CERAMIC MIXING CARTRIDGE (ITEM #4).
 - 4.4. TIGHTEN SETSCREW (ITEM #1B) USING 3/32" ALLEN WRENCH. DO NOT OVERTIGHTEN.
 - 4.5. PRESS COLORED HOT/COLD INDEX (ITEM #1C) INTO HANDLE.
 5. ATTACH LAVATORY SUPPLIES TO SHANKS WITH RISER NUTS (ITEM #7B).
 6. OPTIONAL: POP-UP DRAIN (-P)
 GRID STRAINER DRAIN (-G)
 INSTALL POP-UP DRAIN OR GRID STRAINER DRAIN IN SINK OUTLET AND PLUMB WASTE CONNECTION.
 7. TURN SUPPLY WATER ON AND OPERATE FAUCET CHECKING FOR LEAKS.
 8. INSTALL AERATOR INTO FAUCET AND HAND TIGHTEN INTO FAUCET SPOUT. IT MAY BE NECESSARY TO REMOVE AND CLEAN THE AERATOR AT START UP.
-

MAINTENANCE

1. YOUR ZURN FAUCET HAS A HIGHLY POLISHED NICKEL CHROME PLATED FINISH. CLEAN WITH SOAP AND WATER OR A MILD CLEANER WHICH IS SAFE FOR CHROME PLATING. DO NOT USE ACIDS OR TOILET BOWL CLEANER AS THEY WILL DAMAGE THE FINISH.
2. AQUASPEC FAUCETS CONTAIN CERAMIC MIXING CARTRIDGES WHICH REQUIRE NO MAINTENANCE. TO REMOVE AND REPLACE THE CARTRIDGE:
 - 2.1. REMOVE HOT/COLD INDEX BUTTON (ITEM #1C) BY CAREFULLY PRYING LOOSE FROM UNDERSIDE OF HANDLE (ITEM #1A).
 - 2.2. LOOSEN SET SCREW (ITEM # 1B) IN HANDLE.
 - 2.3. REMOVE HANDLE FROM CARTRIDGE STEM.
 - 2.4. LOOSEN AND REMOVE CARTRIDGE CAP (ITEM # 2).
 - 2.5. LOOSEN AND REMOVE CARTRIDGE RETAINING NUT (ITEM #3).
 - 2.6. PULL CERAMIC MIXING CARTRIDGE (ITEM #4) BY PULLING ON STEM WHILE WIGGLING FROM SIDE-TO-SIDE.
 - 2.7. INSTALL NEW CARTRIDGE USING THE ALIGNMENT PINS FOR PROPER ORIENTATION AND PROPER SEATING IN THE FAUCET BODY.
 - 2.8. REINSTALL HANDLE ASSEMBLY BY REVERSING STEPS 2.1 THROUGH 2.5.
3. TEMPERATURE LIMIT ADJUSTMENT – THE Z81000 FAUCET MAY BE ADJUSTED TO LIMIT THE MAXIMUM OPERATING TEMPERATURE.

- 3.1. REMOVE CERAMIC MIXING CARTRIDGE (ITEM #4) PER MAINTENANCE INSTRUCTIONS 2.1 THROUGH 2.6 ABOVE.
- 3.2. REMOVE RED TEMPERATURE LIMIT RING FROM BLUE MIXING CARTRIDGE.
- 3.3. ROTATE RED TEMPERATURE LIMIT RING CLOCKWISE TO INCREASE MAXIMUM TEMPERATURE OR COUNTERCLOCKWISE TO DECREASE MAXIMUM TEMPERATURE. RED TEMPERATURE LIMIT RING IS MARKED WITH ARROWS AND +/- TO INDICATE DIRECTION OF ROTATION AND EFFECT ON MAXIMUM TEMPERATURE.
- 3.4. REPLACE RED TEMPERATURE LIMIT RING IN DESIRED ORIENTATION.
- 3.5. REINSTALL HANDLE ASSEMBLY BY REVERSING STEPS 2.1 THROUGH 2.5.
- 3.6. TEST MAXIMUM TEMPERATURE FOR ACCEPTABILITY AND REPEAT STEPS 3.1 THROUGH 3.5 IF NECESSARY.

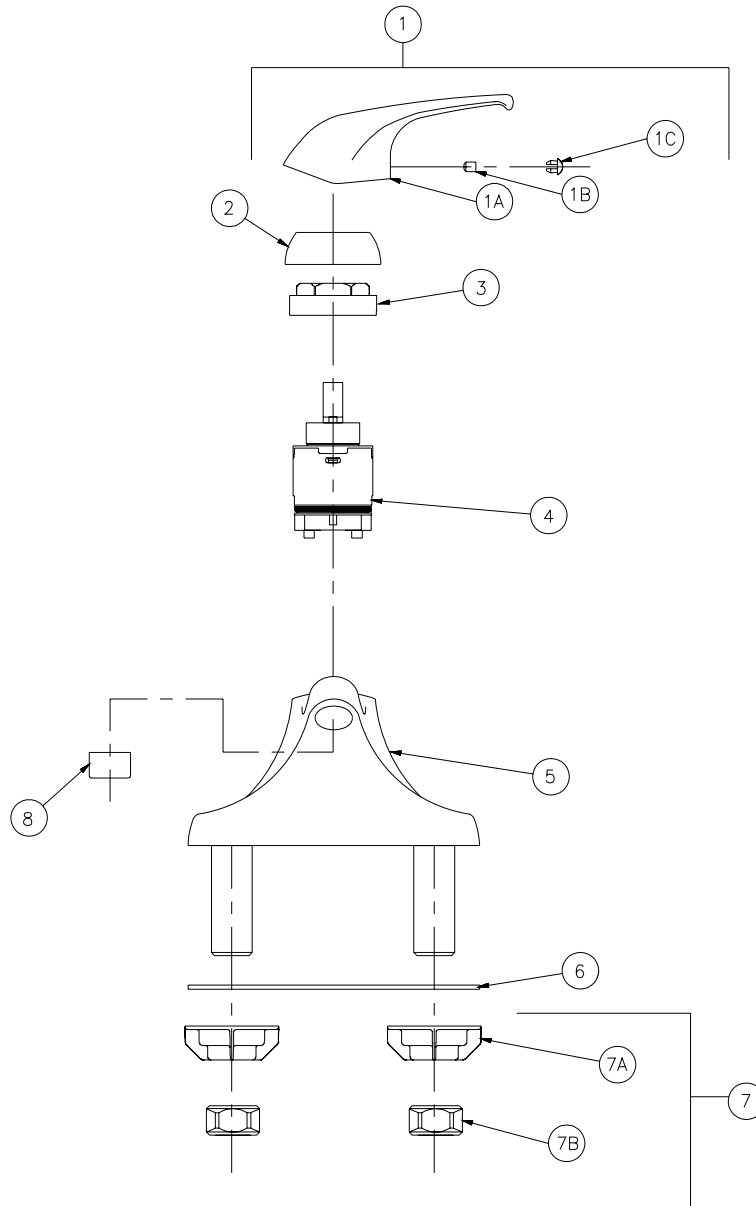
REPAIR PARTS

G66685 SINGLE CONTROL HANDLE ASSEMBLY
 G60502 MOUNTING HARDWARE
 G66686 CERAMIC MIXING CARTRIDGE

TROUBLE SHOOTING GUIDE		
PROBLEM	CAUSE	SOLUTION
FAUCET LEAKS FROM UNDER FAUCET HANDLE. ALL SUPPLIES ARE ON.	CARTRIDGE RETAINING NUT TOO LOOSE	REMOVE FAUCET HANDLE. TIGHTEN CARTRIDGE RETAINING NUT. DO NOT OVER TIGHTEN. TIGHTEN UNTIL NUT IS SNUG
NO WATER COMES OUT OF FAUCET SPOUT. ALL SUPPLIES ARE ON.	AERATOR IS CLOGGED.	REMOVE AERATOR. REMOVE DEBRIS AND REINSTALL AERATOR.
WATER DEFLECTS AT AN ANGLE FROM THE FAUCET SPOUT	AERATOR HAS DEBRIS	REMOVE AERATOR. REMOVE DEBRIS AND REINSTALL AERATOR.

AIR DELIGHTS, INC.
 9974 SW ARCTIC DR
 BEAVERTON, OR 97005
 PHONE: 1-800-440-5556 FAX: 1-503-643-8442
 www.airdelights.com





Item	Part Number	Description	Qty.
1	G66685	Handle Assembly	1
1A	92025001	Handle	1
1B	92024001	Set Screw	1
1C	92023001	Index	1
2	92026001	Cartridge Cap	1
3	92027001	Retaining Nut	1
4	G66686	Cartridge Assembly	1
5	G66687	Body Assembly	1
6	92041001	Gasket	1
7	G60502	Mounting Hardware	1
7A	59530002	Mounting Nut	2
7B	59532001	1/2" NPSM Riser Nut	2
8	G63505	13/16"-27 Male Aerator - 2.2 GPM	1