

## For Health Hazard Applications

Job Name \_\_\_\_\_

Contractor \_\_\_\_\_

Job Location \_\_\_\_\_

Approval \_\_\_\_\_

Engineer \_\_\_\_\_

Contractor's P.O. No. \_\_\_\_\_

Approval \_\_\_\_\_

Representative \_\_\_\_\_

# Series 800MQT, 800MCQT

## Compact Pressure Vacuum Breaker

### Sizes 1/2", 3/4" (15, 20mm)

Series 800MQT/800MCQT is designed to prevent back-siphonage of contaminated water into the potable water supply. These valves are ideally suited for use in continuous pressure piping system applications when the water enters the equipment at or below its flood rim. This includes use with degreasers, laboratory sinks, photo tanks, lawn sprinklers, and swimming pools. The Series 800MQT/800MCQT uses a disc float and check valve that are suitable for use at temperatures up to 210°F (99°C). The durable silicone disc on the float and the check valve have high heat and shock resistance.

Model 800MQT - Bronze body

Model 800MCQT - Chrome finish

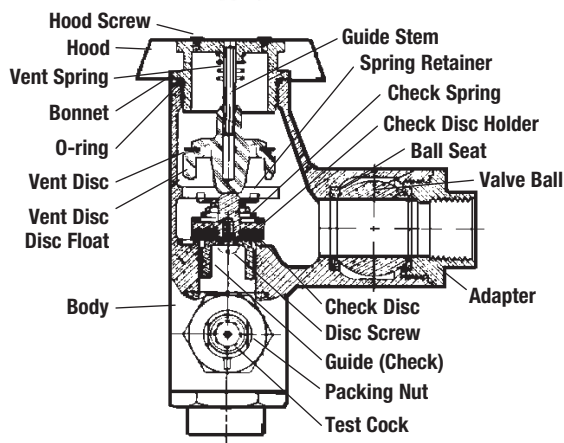
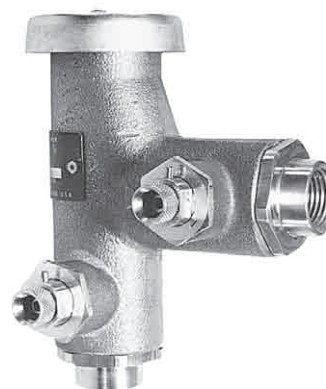
### Features

- Easy maintenance of internal parts
- Space saving design
- Integral test cocks for easy testing to ensure proper operation
- Silicone discs for durability
- Built-in drip tight ball valves
- No special tools required for servicing

### Installations

Series 800MQT/800MCQT is designed for installation in a continuous pressure potable water supply system, 12" (305mm) above the highest point of the downstream piping. The valve must be installed with the supply connected to the bottom and in a vertical position where it is available for inspection, servicing or testing. The valve should not be installed in a wall or where freezing or spillage will cause damage when a drain is not available.

**Important Note:** Vacuum breakers are not designed, tested or approved to protect against backpressure backflow or water hammer shock. For protection against backpressure backflow, install a Watts Reduced Pressure Zone Backflow Preventer. For protection against water hammer install a Watts shock arrester.



### Specifications

An anti-siphon pressure vacuum breaker shall be installed where indicated on the plans to prevent the backsiphonage of contaminated water. This assembly is not to be used where there is a possibility that a backpressure condition may develop. The assembly shall include a chrome plated bronze bodied pressure vacuum breaker with two integral ball valve shutoffs and test cocks. The assembly shall meet the requirements of ASSE Standard 1020 and CSA B64.1.2. Approved by the Foundation for Cross-Connection Control and Hydraulic Research at the University of Southern California. Watts Series 800MQT/800MCQT.

#### CALIFORNIA PROPOSITION 65 WARNING

**WARNING:** This product contains chemicals known to the State of California to cause cancer and birth defects or other reproductive harm. (California law requires this warning to be given to customers in the State of California.)

For more information: [www.watts.com/prop65](http://www.watts.com/prop65)

**IMPORTANT: INQUIRE WITH GOVERNING AUTHORITIES  
FOR LOCAL INSTALLATION REQUIREMENTS**

Watts product specifications in U.S. customary units and metric are approximate and are provided for reference only. For precise measurements, please contact Watts Technical Service. Watts reserves the right to change or modify product design, construction, specifications, or materials without prior notice and without incurring any obligation to make such changes and modifications on Watts products previously or subsequently sold.

## Materials

Hood - Brass  
 Bonnet - Bronze  
 Vent disc - Silicone rubber  
 Disc holder float - Polyethylene  
 Check valve disc - Silicone rubber  
 Check valve seat - Bronze  
 Body - Bronze

## Pressure – Temperature

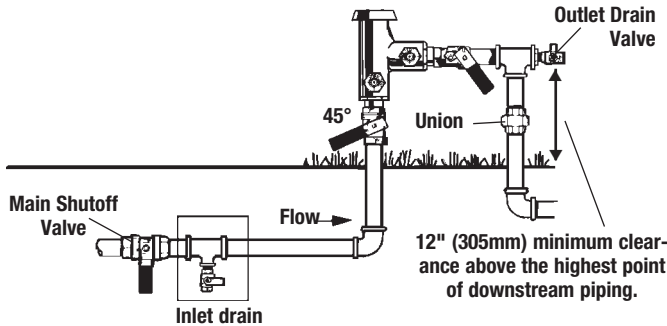
Working Temperature: 33°F to 210°F (0.6°C to 99°C)  
 Maximum Pressure: 150psi (10.34 bars)  
 Minimum Pressure: 15psi (103 kPa)

## Standards



This series complies with the ASSE. IAPMO listed, file No. 1913 and CSA B64.1.2. Approved by the Foundation for Cross-Connection Control and Hydraulic Research at the University of Southern California.

## Typical Installations



## Freeze Protection Guidelines

1. Close main shutoff valve.
2. Open upstream drain, test cocks and isolation ball valves to depressurize line.
3. Purge with air.
4. Leave test cocks and isolation ball valve handles in 45° angle to drain ball valves and prevent casting damage.

## Cover Kit

ORDERING CODE NO.	KIT NO.	SIZE	
		in.	mm
0886043	RK 800M C	1/2" - 3/4"	15 - 20
0886044	RK 800MC C	1/2" - 3/4"	15 - 20

Kit Includes: Hood and hood screws

## Total Repair Kit

ORDERING CODE NO.	KIT NO.	SIZE	
		in.	mm
0886030	RK 800M/MC T	1/2" - 3/4"	15 - 20

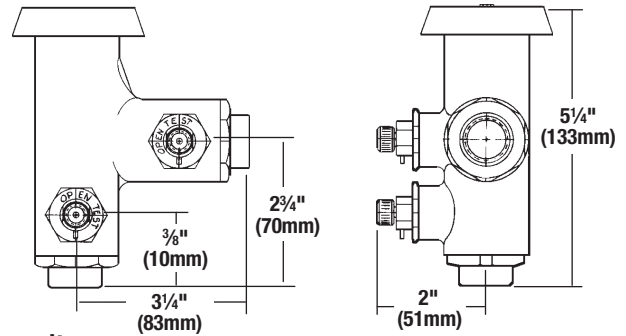
Kit includes: Check disc assembly, check spring, vent spring, hood screws, float and vent seal assembly and bonnet o-ring.



A Watts Water Technologies Company

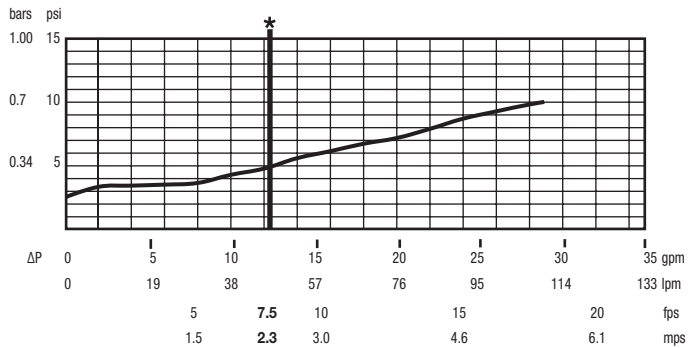
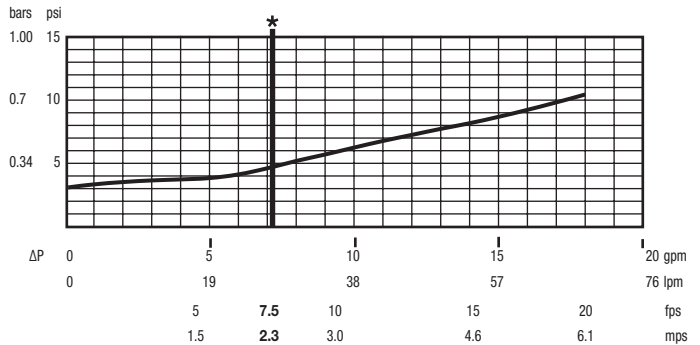
## Dimensions – Weights

Weight: 2½ lbs. (1.13 kgs.)



## Capacity

\* Typical maximum system flow rate (7.5 feet/sec.) (2.3 meters/sec.)



**Limited Warranty:** Watts Regulator Co. (the "Company") warrants each product to be free from defects in material and workmanship under normal usage for a period of one year from the date of original shipment. In the event of such defects within the warranty period, the Company will, at its option, replace or recondition the product without charge.

**THE WARRANTY SET FORTH HEREIN IS GIVEN EXPRESSLY AND IS THE ONLY WARRANTY GIVEN BY THE COMPANY WITH RESPECT TO THE PRODUCT. THE COMPANY MAKES NO OTHER WARRANTIES, EXPRESS OR IMPLIED. THE COMPANY HEREBY SPECIFICALLY DISCLAIMS ALL OTHER WARRANTIES, EXPRESS OR IMPLIED, INCLUDING BUT NOT LIMITED TO THE IMPLIED WARRANTIES OF MERCHANTABILITY AND FITNESS FOR A PARTICULAR PURPOSE.**

The remedy described in the first paragraph of this warranty shall constitute the sole and exclusive remedy for breach of warranty, and the Company shall not be responsible for any incidental, special or consequential damages, including without limitation, lost profits or the cost of repairing or replacing other property which is damaged if this product does not work properly, other costs resulting from labor charges, delays, vandalism, negligence, fouling caused by foreign material, damage from adverse water conditions, chemical, or any other circumstances over which the Company has no control. This warranty shall be invalidated by any abuse, misuse, misapplication, improper installation or improper maintenance or alteration of the product. Some States do not allow limitations on how long an implied warranty lasts, and some States do not allow the exclusion or limitation of incidental or consequential damages. Therefore the above limitations may not apply to you. This Limited Warranty gives you specific legal rights, and you may have other rights that vary from State to State. You should consult applicable state laws to determine your rights. **SO FAR AS IS CONSISTENT WITH APPLICABLE STATE LAW, ANY IMPLIED WARRANTIES THAT MAY NOT BE DISCLAIMED, INCLUDING THE IMPLIED WARRANTIES OF MERCHANTABILITY AND FITNESS FOR A PARTICULAR PURPOSE, ARE LIMITED IN DURATION TO ONE YEAR FROM THE DATE OF ORIGINAL SHIPMENT.**



USA: No. Andover, MA • Tel. (978) 688-1811 • Fax: (978) 794-1848 • www.watts.com  
 Canada: Burlington, ONT. • Tel. (905) 332-4090 • Fax: (905) 332-7068 • www.wattscanada.ca