

For Residential and Commercial Applications

Job Name _____

Contractor _____

Job Location _____

Approval _____

Engineer _____

Contractor's P.O. No. _____

Approval _____

Representative _____

Series 142

Process Boiler Water Feeder with Direct Feed Through Float Chamber

Size: 1/2" (15mm)

Series 142 Process Boiler Water Feeders are used in heating applications on pressing machines and other small process boilers when direct feed through the float chamber is permissible. This series has direct water feed connections—a 1/2" (15mm) NPT female water feed connection and a 1" (25mm) NPT female float chamber connection. Water is fed automatically as needed to maintain the correct water operating level in the boiler. The entire unit is simple in design and operation, easy to install, and inexpensive to operate. The simple construction of the feed valve permits quick and easy cleaning should it become fouled by dirt in the water supply.



142

Features

- Direct water feed connections:
 - 1/2" (15mm) NPT female water feed connection
 - 1" (25mm) NPT female float chamber connection
- Automatic water feed
- Strainer (Model 142S)
- Easy cleaning

Models

142-without strainer

142S-with strainer

Pressure-Temperature

Maximum Working Pressure: 100psi (6.9 bar) Steam

Maximum Working Pressure: 145psi (10.0 bar) Water

The water pressure must be at least 10psi (69 kPa) higher than steam pressure

Materials

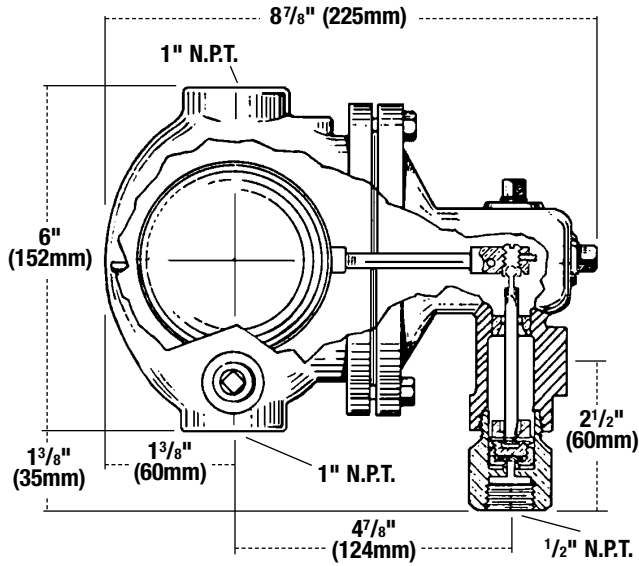
Body: Cast Iron

Strainer: Bronze

WATTS®

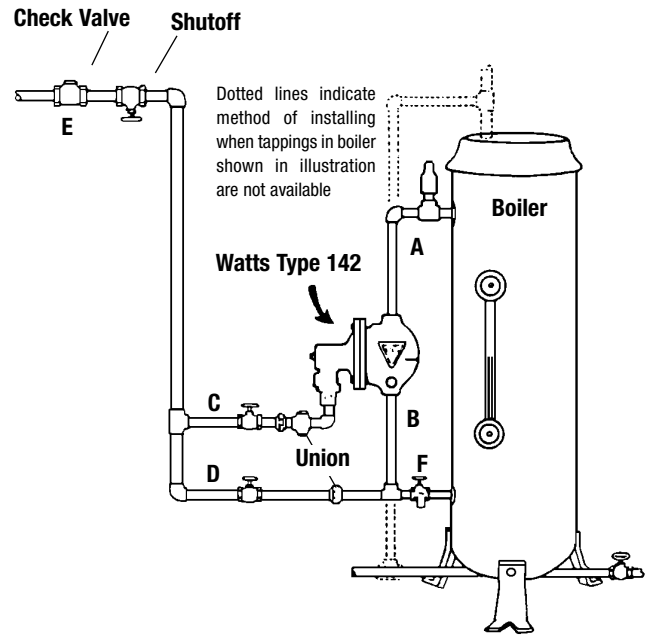
Watts product specifications in U.S. customary units and metric are approximate and are provided for reference only. For precise measurements, please contact Watts Technical Service. Watts reserves the right to change or modify product design, construction, specifications, or materials without prior notice and without incurring any obligation to make such changes and modifications on Watts products previously or subsequently sold.

Dimensions



Capacity

DIFF. BETWEEN STEAM AND WATER PRESSURE	BOILER HORSE POWER
10	8
20	13
30	16
40	18
50	19



CALIFORNIA PROPOSITION 65 WARNING

WARNING: This product contains chemicals known to the State of California to cause cancer and birth defects or other reproductive harm. (California law requires this warning to be given to customers in the State of California.)

For more information: www.watts.com/prop65

WATTS®

Water Safety & Flow Control Products

ISO 9001-2000
CERTIFIED