

For Potable Hot Water Applications

Job Name _____
 Job Location _____
 Engineer _____
 Approval _____

Contractor _____
 Approval _____
 Contractor's P.O. No. _____
 Representative _____

LEAD FREE*

Series DETA ASME – Pressurized Expansion Tanks for Potable Hot Water

Models DETA 5 to DETA 210

Watts Model DETA Tanks are ASME fixed bladder type pre-charged expansion tanks for commercial and industrial fresh potable hot water applications. They are designed to accept the expanded volume of hot water keeping the system pressure below the relief valve setting. The water is contained in a butyl bladder.

Features

- ASME Section VIII Construction
- Fixed Butyl Bladder (FDA approved)
- Stainless Steel System Connection
- Precharged to 40 psi (Field Adjustable)

Construction

Shell: Carbon steel
 System Connection: Stainless steel
 Bladder: Butyl (FDA approved)
 Prime painted exterior

Pressure – Temperature

Maximum Design Pressure:
 DETA 5 through DETA 210: 150 psi (10 bar)
 Precharged to 40 psi (275 kPa)
Maximum Design Temperature: 240°F (115°C)

Specifications

Furnish and install as shown on plans a Watts Model DETA _____ gallon _____ " diameter x _____ " (high) pre-charged steel thermal expansion tank with a fixed butyl bladder. The tank shall have a top NPT stainless steel system connection and a .301" - 32 charging valve connection (standard tire valve) to facilitate the on-site charging of the tank to meet system requirements. The tank must be constructed in accordance with Section VIII of the ASME Boiler and Pressure Vessel Code.

***The wetted surface of this product contacted by consumable water contains less than one quarter of one percent (0.25%) of lead by weight.**



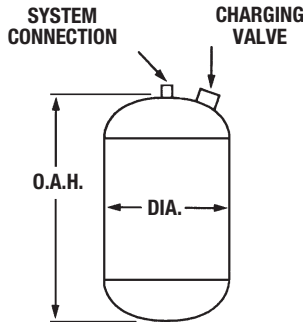
Schedule

MODEL NUMBER	TANK VOLUME GALLONS	ACCEPTANCE VOLUME GALLONS	TAGGING INFORMATION	QUANTITY
DETA 5	3.5	2.1		
DETA 12	5	3.1		
DETA 20	8	3.1		
DETA 30	15	10.5		
DETA 42	22	15.5		
DETA 60	26	15.5		
DETA 80	35	15.5		
DETA 100	45	21		
DETA 125	60	21		
DETA 160	70	52.5		
DETA 180	80	52.5		
DETA 210	90	52.5		

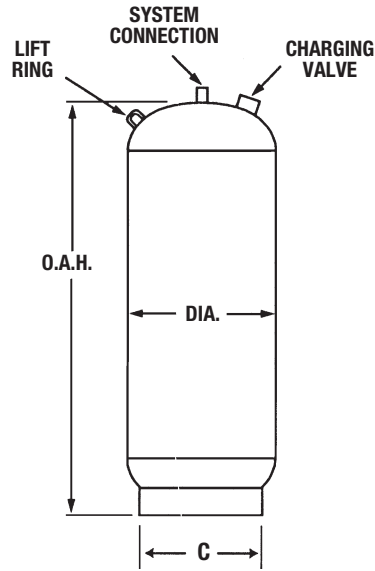
Watts product specifications in U.S. customary units and metric are approximate and are provided for reference only. For precise measurements, please contact Watts Technical Service. Watts reserves the right to change or modify product design, construction, specifications, or materials without prior notice and without incurring any obligation to make such changes and modifications on Watts products previously or subsequently sold.



Thermal Expansion Tanks — Pressurized



DETA 5 and DETA 12



DETA 20 through DETA 210

Dimensions — Weight

MODEL NUMBER	SYSTEM CONNECTION DN		MAX. OPERATING PRESSURE (PSIG)	DIA.		DIMENSIONS				WEIGHT*	
	in.	mm		in.	mm	HEIGHT	C		lbs.	kgs.	
DETA 5	3/4	20	150	10	254	14	356	—	—	22	10
DETA 12	3/4	20	150	12	305	14	356	—	—	28	13
DETA 20	3/4	20	150	12	305	20	508	10	254	34	15
DETA 30	1	25	150	16	406	23	584	12	305	64	29
DETA 42	1	25	150	16	406	32	813	14	356	88	40
DETA 60	1	25	150	16	406	34	864	14	356	93	42
DETA 80	1	25	150	16	406	45	1143	14	356	109	49
DETA 100	1	25	150	20	508	38	965	18	457	148	67
DETA 125	1	25	150	20	508	49	1245	18	457	175	79
DETA 160	1 1/2	40	150	24	610	46	1676	22	559	259	117
DETA 180	1 1/2	40	150	24	610	49	1168	22	559	268	122
DETA 210	1 1/2	40	150	24	610	52	1321	22	559	283	128

Note: Tanks are factory pre-charged at 40 psi and field adjustable.
Lift ring on models DETA 42 through DETA 210.

(*approximate)



A Watts Water Technologies Company



USA: 815 Chestnut St., No. Andover, MA 01845-6098; www.watts.com

Canada: 5435 North Service Rd., Burlington, ONT. L7L 5H7; www.wattscanada.ca