

**For Commercial & Residential Applications**

Job Name \_\_\_\_\_

Contractor \_\_\_\_\_

Job Location \_\_\_\_\_

Approval \_\_\_\_\_

Engineer \_\_\_\_\_

Contractor's P.O. No. \_\_\_\_\_

Approval \_\_\_\_\_

Representative \_\_\_\_\_

# Series 656

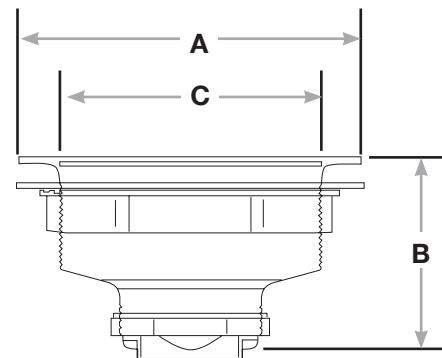
## Pro-Brite™ SPX Sink Strainers

### Features

- Bright chrome finish
- Sta-tite locknut
- Stick post basket
- Water-tight leak-proof seal



Series 656



PRODUCT SUBMITTAL		
Model #	✓ To Submit	QTY
656003		

MODEL	DESCRIPTION	DIMENSIONS						FINISH
		A		B		C		
		in	mm	in	mm	in	mm	
656003	plain	4 <sup>3</sup> / <sub>8</sub>	111	2 <sup>1</sup> / <sub>2</sub>	64	3 <sup>11</sup> / <sub>32</sub>	85	Chrome

Watts product specifications in U.S. customary units and metric are approximate and are provided for reference only. For precise measurements, please contact Watts Technical Service. Watts reserves the right to change or modify product design, construction, specifications, or materials without prior notice and without incurring any obligation to make such changes and modifications on Watts products previously or subsequently sold.

**USA:** 815 Chestnut St., No. Andover, MA 01845-6098; [www.watts.com](http://www.watts.com)  
**Canada:** 5435 North Service Rd., Burlington, ONT. L7L 5H7; [www.wattscanada.ca](http://www.wattscanada.ca)  
 ES-WB&T-656 0751



**Brass & Tubular Products**