

**For Residential Applications**

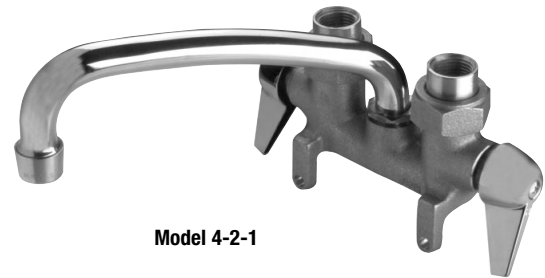
Job Name \_\_\_\_\_  
 Job Location \_\_\_\_\_  
 Engineer \_\_\_\_\_  
 Approval \_\_\_\_\_

Contractor \_\_\_\_\_  
 Approval \_\_\_\_\_  
 Contractor's P.O. No. \_\_\_\_\_  
 Representative \_\_\_\_\_

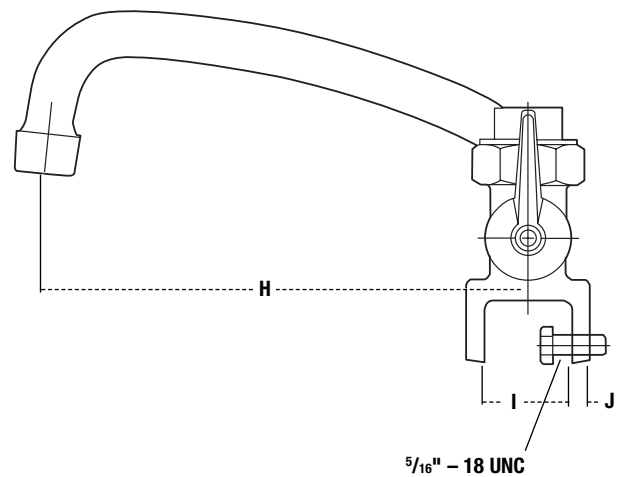
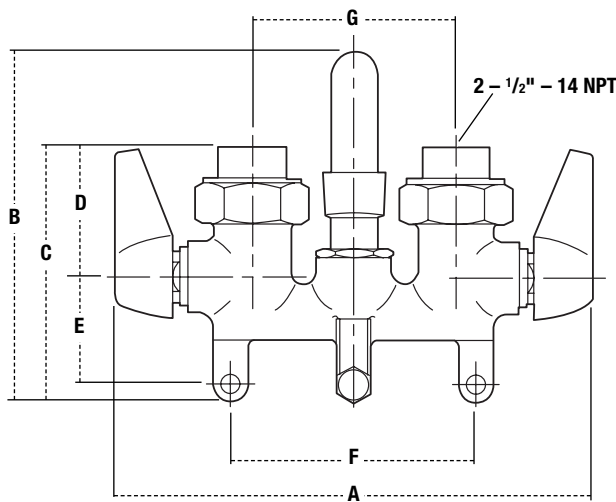
# Model 4-2-1 Laundry Tray Faucet

## Features

- 4" Centers
- Cast brass body (Rough)
- Clamping unions for thread and Solder connections - Rim Mount
- 3/4" hose spout



Model 4-2-1



MODEL	DESCRIPTION	DIMENSIONS																			
		A		B		C		D		E		F		G		H		I		J	
		in.	mm	in.	mm	in.	mm	in.	mm	in.	mm	in.	mm	in.	mm	in.	mm	in.	mm	in.	mm
4-2-1	Laundry Faucet	7	178	5 1/6	131	3 3/4	96	1 15/16	49	1 9/16	40	3 9/16	91	3	76	7 1/16	180	1 1/4	32	1/4	7

Watts product specifications in U.S. customary units and metric are approximate and are provided for reference only. For precise measurements, please contact Watts Technical Service. Watts reserves the right to change or modify product design, construction, specifications, or materials without prior notice and without incurring any obligation to make such changes and modifications on Watts products previously or subsequently sold.



**Brass & Tubular Products**