

For Commercial & Residential Applications

Job Name _____

Contractor _____

Job Location _____

Approval _____

Engineer _____

Contractor's P.O. No. _____

Approval _____

Representative _____

Series 393

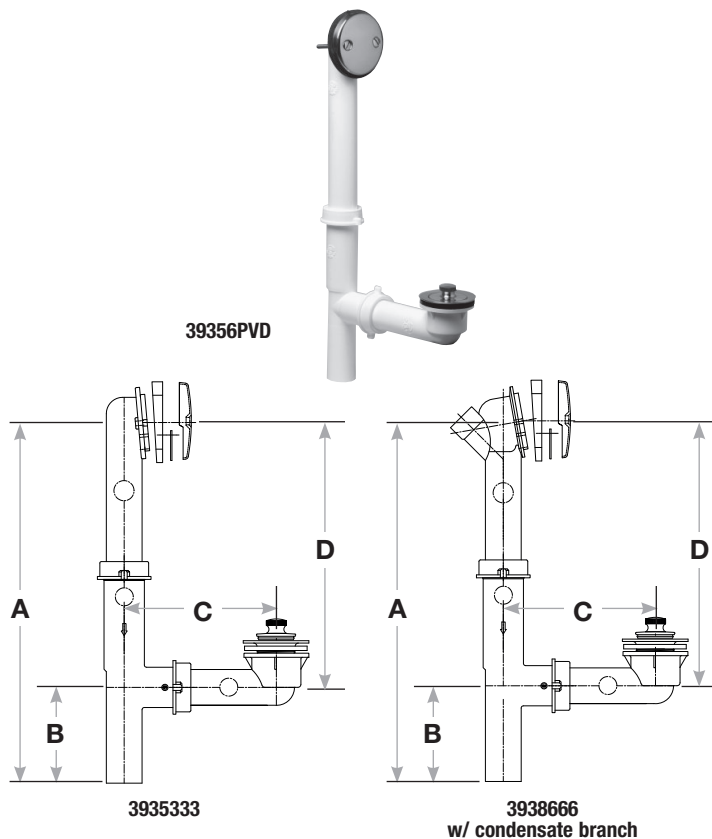
Twist'N Close™ Plastic Bath Drains

Features

- Chrome plated or polished brass PVD trim available
- UPC approved

PRODUCT SUBMITTAL

Model #	✓ To Submit	QTY
3935333		
393533CM		
39353PVD		
3935666		
393566CM		
39356PVD		
3938666		



MODEL	DESCRIPTION	DIMENSIONS								TRIM
		A		B		C		D		
		in.	mm	in.	mm	in.	mm	in.	mm	
3935333	1 1/2" black plastic w/chrome plated brass mechanism	15	381	4	102	6 1/2	165	11	279	Chrome plated
393533CM	1 1/2" black plastic w/chrome plated metal mechanism	15	381	4	102	6 1/2	165	11	279	Chrome plated
39353PVD	1 1/2" black plastic	15	381	4	102	6 1/2	165	11	279	Polished brass PVD
3935666	1 1/2" white plastic w/chrome plated brass mechanism	15	381	4	102	6 1/2	165	11	279	Chrome plated
393566CM	1 1/2" white plastic w/chrome plated metal mechanism	15	381	4	102	6 1/2	165	11	279	Chrome plated
39356PVD	1 1/2" white plastic	15	381	4	102	6 1/2	165	11	279	Polished brass PVD
3938666	1 1/2" white plastic w/condensate branch	15	381	4	102	6 1/2	165	11	279	Chrome plated

Watts product specifications in U.S. customary units and metric are approximate and are provided for reference only. For precise measurements, please contact Watts Technical Service. Watts reserves the right to change or modify product design, construction, specifications, or materials without prior notice and without incurring any obligation to make such changes and modifications on Watts products previously or subsequently sold.



A Watts Water Technologies Company

USA: 815 Chestnut St., No. Andover, MA 01845-6098; www.watts.com
 Canada: 5435 North Service Rd., Burlington, ONT. L7L 5H7; www.wattscanada.ca