

For Commercial & Residential Applications

Job Name _____
 Job Location _____
 Engineer _____
 Approval _____

Contractor _____
 Approval _____
 Contractor's P.O. No. _____
 Representative _____

Series 364

Sweetheart™ Sink Strainers

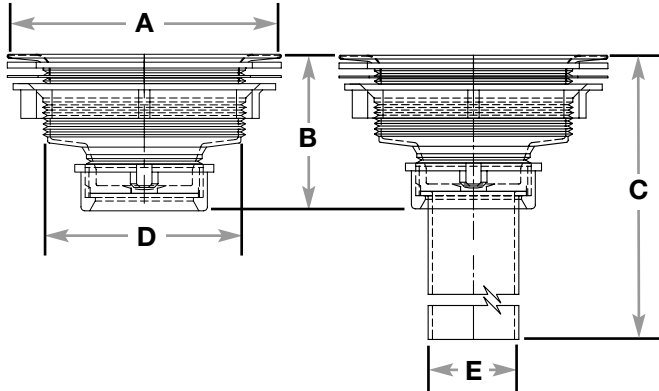


Model 364700

Features

- Designed to fill the bill when plastic is acceptable
- All wearing parts are made of durable stainless steel
- Body of high impact, long life polypropylene
- Fits all sinks

PRODUCT SUBMITTAL		
Model #	✓ To Submit	QTY
364700		
364700PB		
364700ST		



(Model 364700ST only)

MODEL	DESCRIPTION	DIMENSIONS										FINISH
		A		B		C		D		E		
		in	mm	in	mm	in	mm	in	mm	in	mm	
364700	—	4 ¹¹ / ₃₂	110	2 ¹ / ₂	64	—	—	3 ³ / ₈	86	—	—	Stainless Steel
364700PB	polybagged	4 ¹¹ / ₃₂	110	2 ¹ / ₂	64	—	—	3 ³ / ₈	86	—	—	Stainless Steel
364700ST	w/ 1 ¹ / ₂ " x 4" tailpiece	4 ¹¹ / ₃₂	110	2 ¹ / ₂	64	6 ³ / ₈	162	3 ³ / ₈	86	1 ¹ / ₂	38	Stainless Steel



Watts product specifications in U.S. customary units and metric are approximate and are provided for reference only. For precise measurements, please contact Watts Technical Service. Watts reserves the right to change or modify product design, construction, specifications, or materials without prior notice and without incurring any obligation to make such changes and modifications on Watts products previously or subsequently sold.

100 Watts Road • Spindale, NC 28160
 Tel: (828) 286-4151 Fax: (828) 286-0729
 www.wattsbrass-tubular.com