



T&S BRASS AND BRONZE WORKS, INC.

2 Saddleback Cove / P.O. Box 1088
Travelers Rest, SC 29690

Model No.

BL-6005-02

Item No.

Travelers Rest, SC: 800-476-4103 • Simi Valley, CA: 800-423-0150 • Fax: 864-834-3518 • www.tsbrass.com

This Space for Architect/Engineer Approval

Job Name _____ Date _____

Model Specified _____ Quantity _____

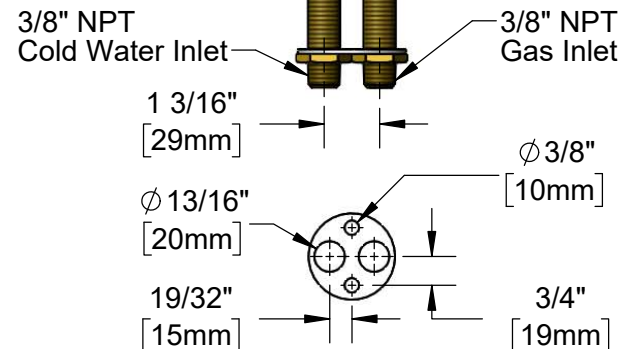
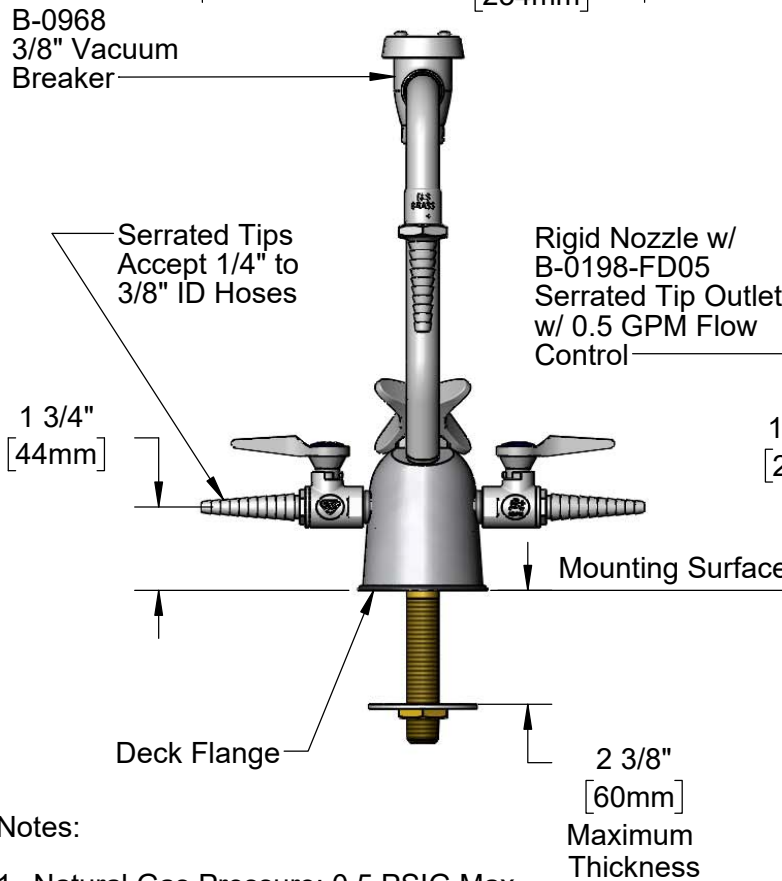
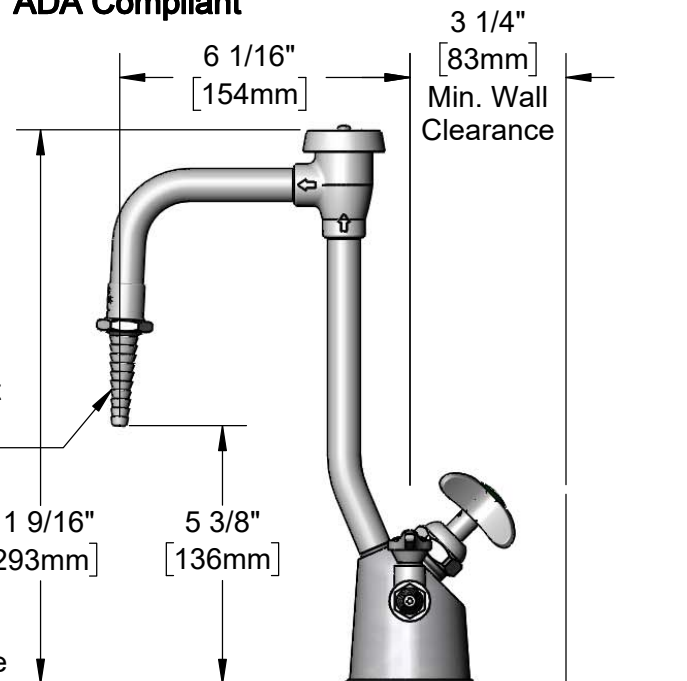
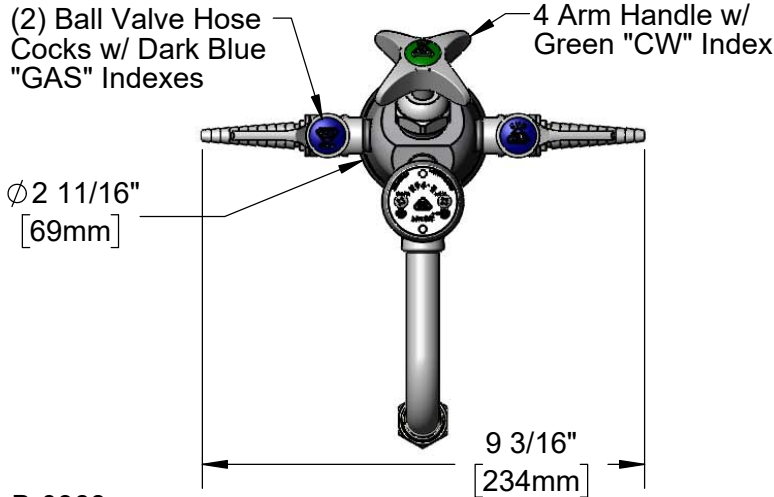
Customer/Wholesaler _____

Contractor _____

Architect/Engineer _____



ADA Compliant



Notes:

1. Natural Gas Pressure: 0.5 PSIG Max. (For Natural Gas above 0.5 PSIG or Oxygen and Specialty Gases, use BL-4010-01 Gas Cock.)
2. Temperature Range: 32°F - 125°F

Product Specifications:
Combination Gas & Water Fixture w/ (2) Ball Valve Gas Cocks, Vacuum Breaker, Rigid Gooseneck, Serrated Tip w/ 0.5 GPM Flow Control & 3/8" NPT Male Inlets

Product Compliance:
ASME A112.18.1 / CSA B125.1
NSF 61 - Section 9
NSF 372 (Low Lead Content)
ASSE 1001 (VB)
ANSI Z21.15a / CSA 9.1a (Gas Valves)
ANSI A117.1 (ADA)



T&S BRASS AND BRONZE WORKS, INC.

2 Saddleback Cove / P.O. Box 1088
Travelers Rest, SC 29690

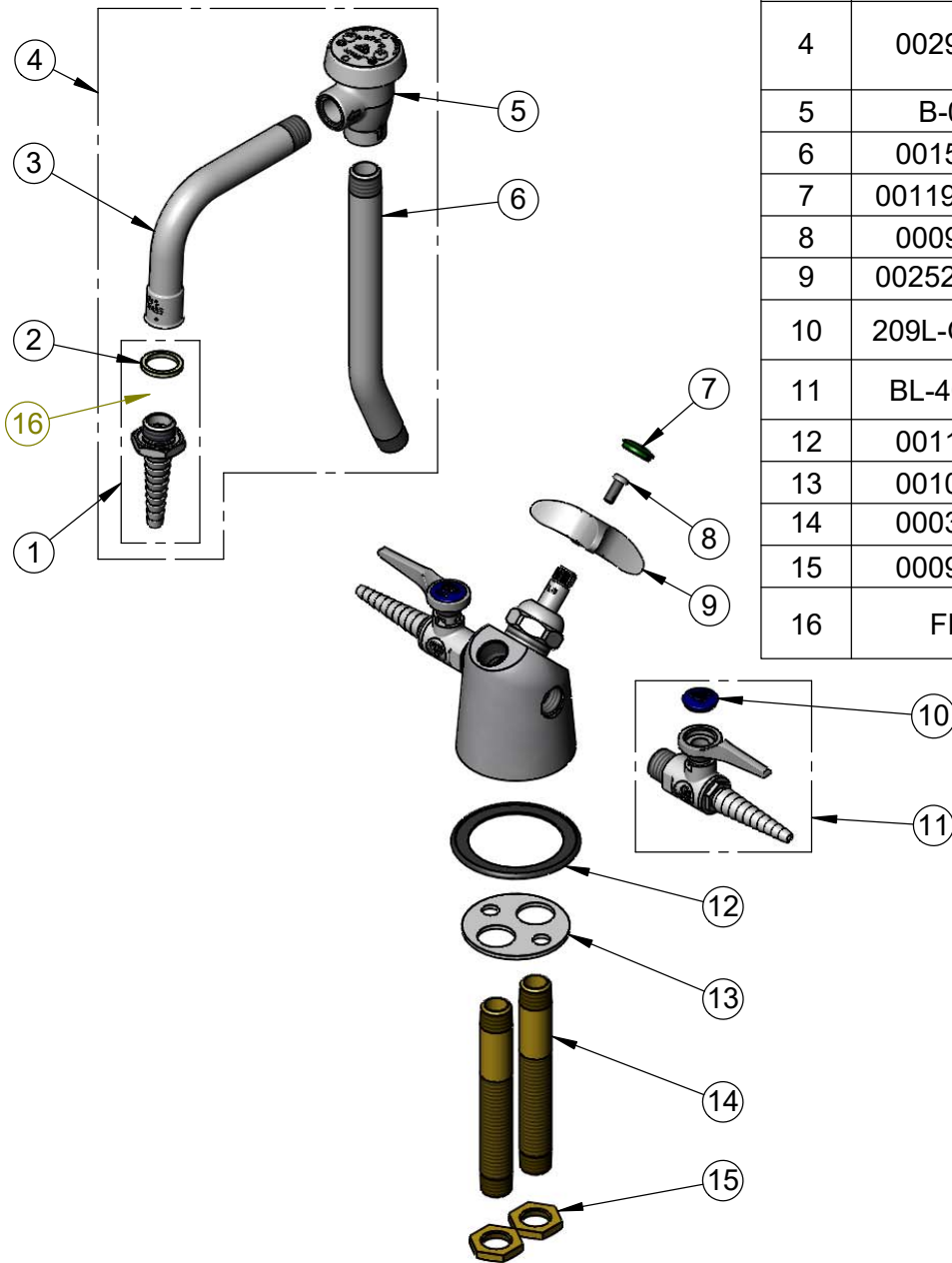
Model No.

BL-6005-02

Item No.

Travelers Rest, SC: 800-476-4103 • Simi Valley, CA: 800-423-0150 • Fax: 864-834-3518 • www.tsbrass.com

ITEM NO.	SALES NO.	DESCRIPTION
1	B-0198-FD05	Serrated Tip w/ 0.5 GPM Flow Disc & Washer
2	001051-45	Washer
3	106X	Nozzle, 3/8" NPT, Brass
4	002986-40	Rigid Nozzle w/ Vacuum Breaker & Serrated Tip w/ 0.5 GPM Flow Disc
5	B-0968	3/8" NPT Vacuum Breaker
6	001522-40	7" Riser
7	001191-45NS	Green "CW" Lab Button Index
8	000925-45	Lab Handle Screw
9	002521-45NS	4-Arm Handle (New Style)
10	209L-GAS-NS	Dark Blue "GAS" Lab Button Index
11	BL-4000-01	Ball Valve Hose Cock w/ Gas, Air & Vac Indexes
12	001160-45	Gasket, BL-6000
13	001004-45	Turret Brass Washer, BL-6000
14	000381-20	3/8" Brass Supply Nipple
15	000969-45	3/8" NPSL Brass Lock Nut
16	FD05	Flow Disc, 0.5 GPM [1.9 L/min.] (Lime)



Product Specifications:

Combination Gas & Water Fixture w/ (2) Ball Valve Gas Cocks, Vacuum Breaker, Rigid Gooseneck, Serrated Tip w/ 0.5 GPM Flow Control & 3/8" NPT Male Inlets

Product Compliance:

ASME A112.18.1 / CSA B125.1
NSF 61 - Section 9
NSF 372 (Low Lead Content)
ASSE 1001 (VB)
ANSI Z21.15a / CSA 9.1a (Gas Valves)
ANSI A117.1 (ADA)