



T&S BRASS AND BRONZE WORKS, INC.

2 Saddleback Cove / P.O. Box 1088
Travelers Rest, SC 29690

Model No.

BL-4520-01

Item No.

Travelers Rest, SC: 800-476-4103 • Simi Valley, CA: 800-423-0150 • Fax: 864-834-3518 • www.tsbrass.com

This Space for Architect/Engineer Approval

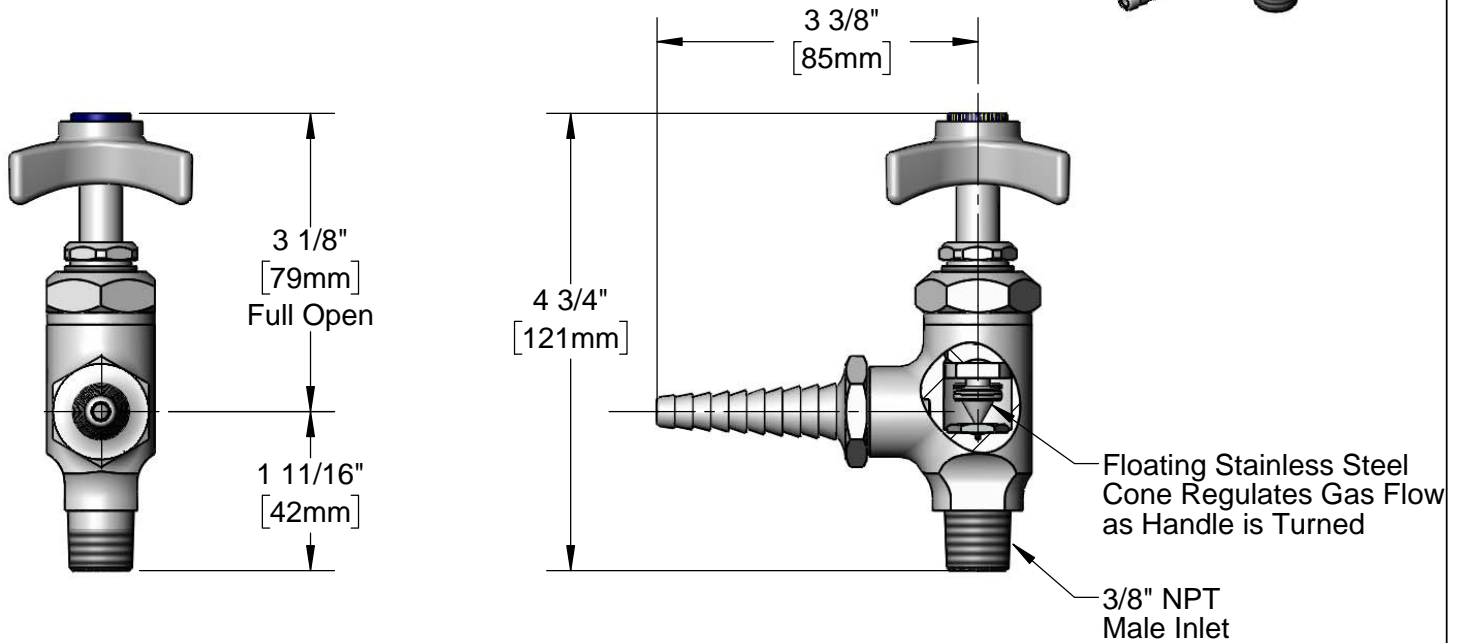
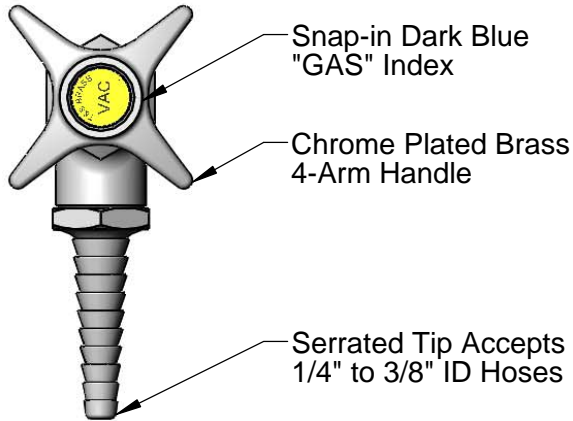
Job Name _____ Date _____

Model Specified _____ Quantity _____

Customer/Wholesaler _____

Contractor _____

Architect/Engineer _____



Notes:

1. Natural Gas Pressure: 0.5 PSIG Max.
2. Air Pressure: 125 PSIG Max.
3. Vacuum: 30 Inches of Mercury Max.
4. Temperature Range: 32 °F - 125 °F



209L-VAC
Index
Included



209L-AIR
Index
Included

Product Specifications:
Angle Stop w/ 3/8" NPT Male Inlet, Serrated Tip Outlet & Color Coded Indexes

Product Compliance:
ANSI Z21.15a / CSA 9.1a (Gas Valves)
ANSI A117.1 (ADA)



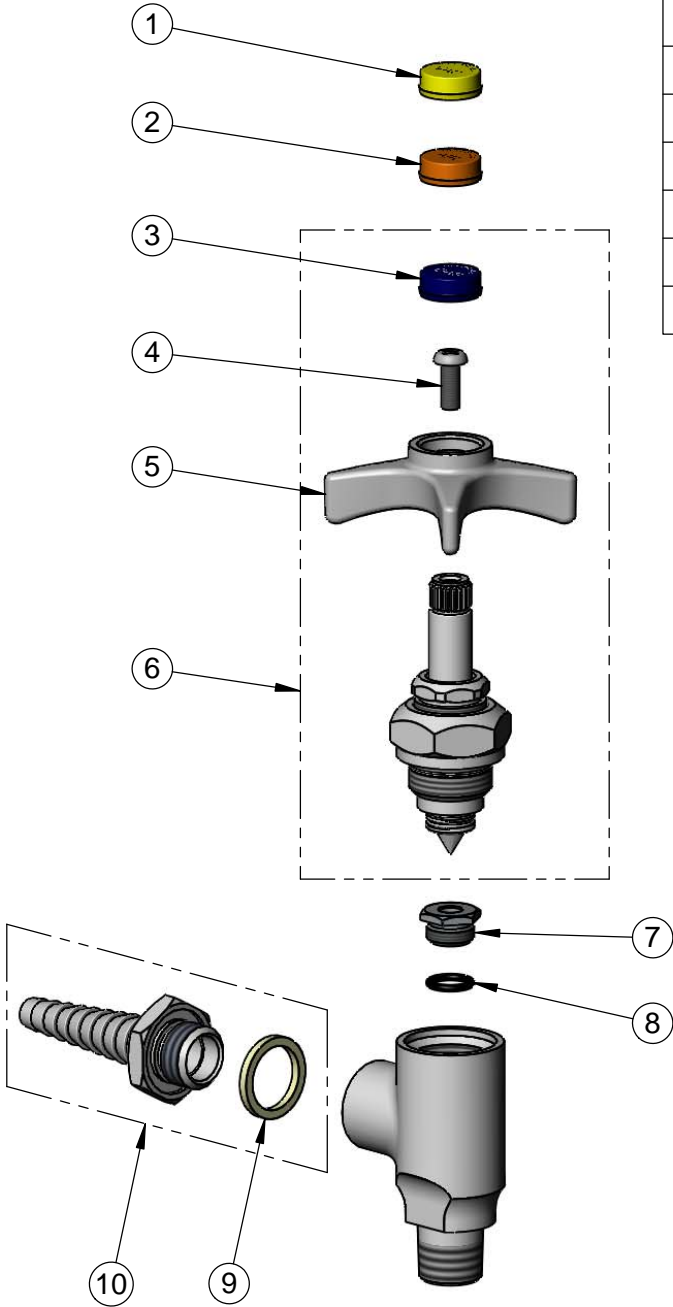
T&S BRASS AND BRONZE WORKS, INC.
 2 Saddleback Cove / P.O. Box 1088
 Travelers Rest, SC 29690

Model No.
BL-4520-01

Item No.

Travelers Rest, SC: 800-476-4103 • Simi Valley, CA: 800-423-0150 • Fax: 864-834-3518 • www.tsbrass.com

ITEM NO.	SALES NO.	DESCRIPTION
1	209L-VAC	Yellow VAC Snap-In Index
2	209L-AIR	Orange AIR Snap-In Index
3	209L-GAS	Dark Blue GAS Snap-In Index
4	000925-45	Lab Handle Screw
5	000059-40	4-Arm Lab Handle
6	110A	Spindle Assembly, BL-4500-01
7	000529-20	Seat, BL-4500-01
8	001070-45	O-ring, Nitrile, -012
9	001051-45	Washer
10	B-0198	Serrated Tip



Product Specifications:
 Angle Stop w/ 3/8" NPT Male Inlet, Serrated Tip Outlet &
 Color Coded Indexes

Product Compliance:
 ANSI Z21.15a / CSA 9.1a (Gas Valves)
 ANSI A117.1 (ADA)