



T&S BRASS AND BRONZE WORKS, INC.

2 Saddleback Cove / P.O. Box 1088
Travelers Rest, SC 29690

Model No.

B-2282-F SERIES

Item No.

Travelers Rest, SC: 800-476-4103 • Simi Valley, CA: 800-423-0150 • Fax: 864-834-3518 • www.tsbrass.com

This Space for Architect/Engineer Approval

Job Name _____ Date _____

Model Specified _____ Quantity _____

Customer/Wholesaler _____

Contractor _____

Architect/Engineer _____

Flow Rate
(GPM ±15%)

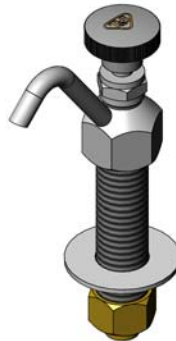
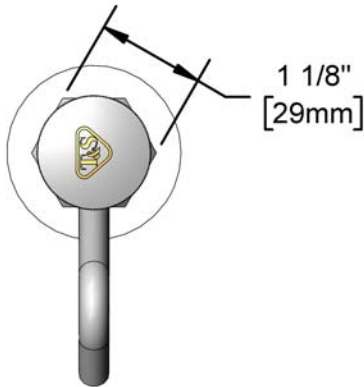
Model Number

0.25

B-2282-F03

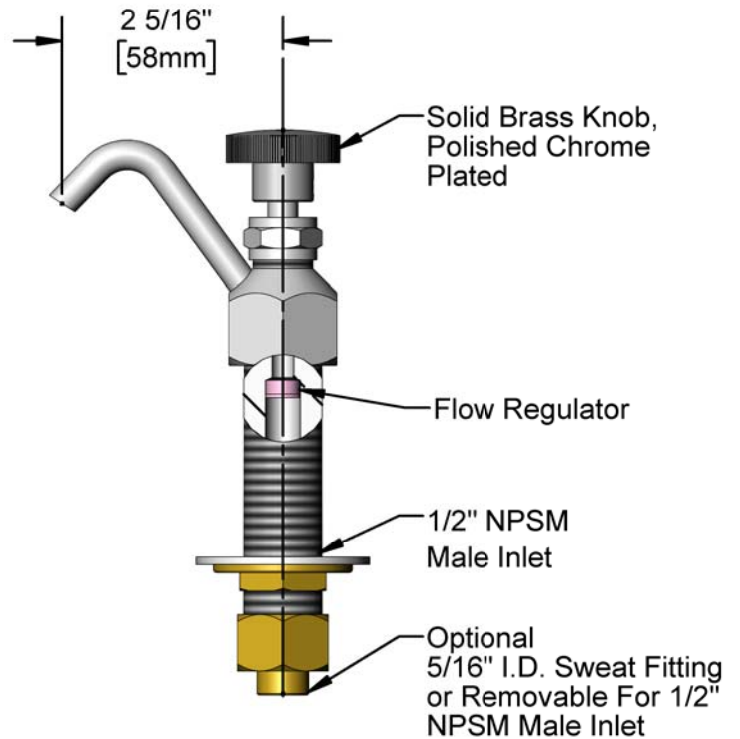
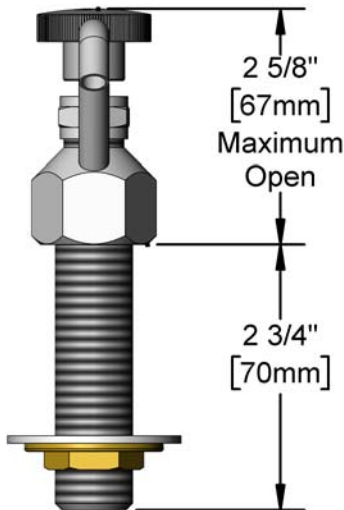
0.50

B-2282-F05



Notes:

1. Select Flow Rate Desired, then Select Corresponding Model Number



Rough-In Requirement:
Ø 7/8" [22mm] Mounting Hole

Product Specifications:
Flow Control Dipperwell Faucet with Flow Regulator (Refer to Chart)

Product Compliance:
ASME A112.18.1 / CSA B125.1
NSF 61 - Section 9
NSF 372 (Low Lead Content)



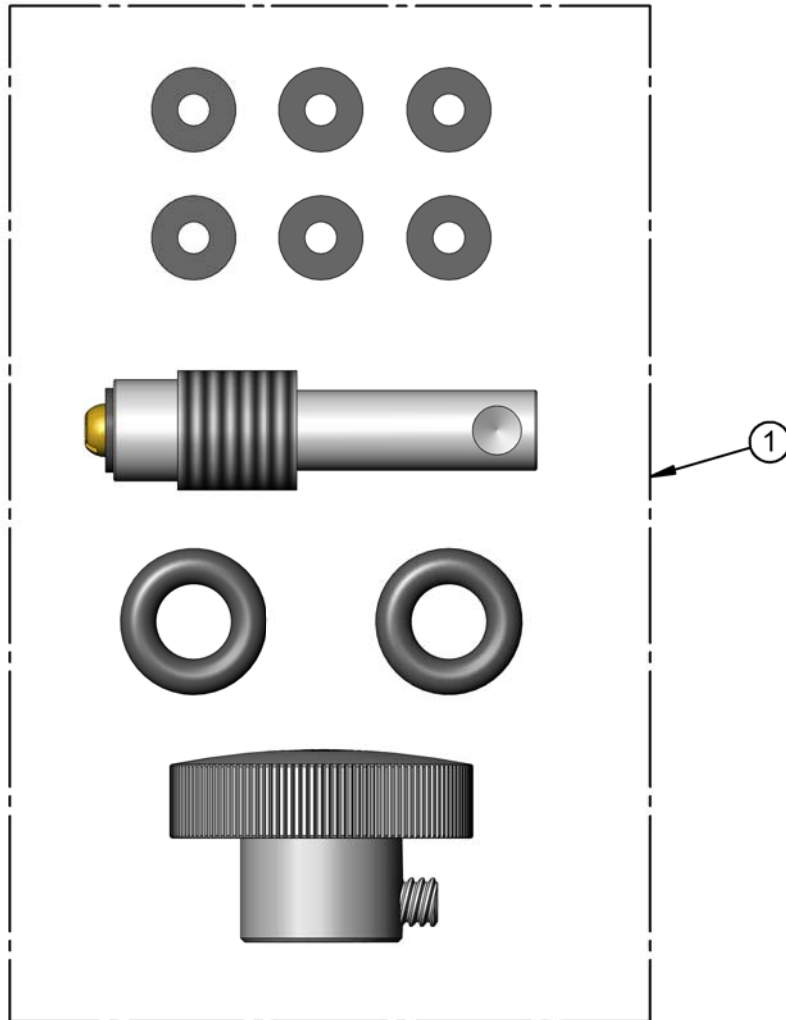
T&S BRASS AND BRONZE WORKS, INC.
2 Saddleback Cove / P.O. Box 1088
Travelers Rest, SC 29690

Model No.
B-2282-F SERIES

Item No.

Travelers Rest, SC: 800-476-4103 • Simi Valley, CA: 800-423-0150 • Fax: 864-834-3518 • www.tsbrass.com

ITEM	PART NO.	DESCRIPTION
1	B-2282-RK	Parts Kits for Dipperwell



Product Specifications:
Flow Control Dipperwell Faucet with Flow Regulator (Refer to Chart)

Product Compliance:
ASME A112.18.1 / CSA B125.1
NSF 61 - Section 9
NSF 372 (Low Lead Content)