



T&S BRASS AND BRONZE WORKS, INC.

2 Saddleback Cove / P.O. Box 1088
Travelers Rest, SC 29690

Model No.

B-1433-SC01

Item No.

Travelers Rest, SC: 800-476-4103 • Simi Valley, CA: 800-423-0150 • Fax: 864-834-3518 • www.tsbrass.com

This Space for Architect/Engineer Approval

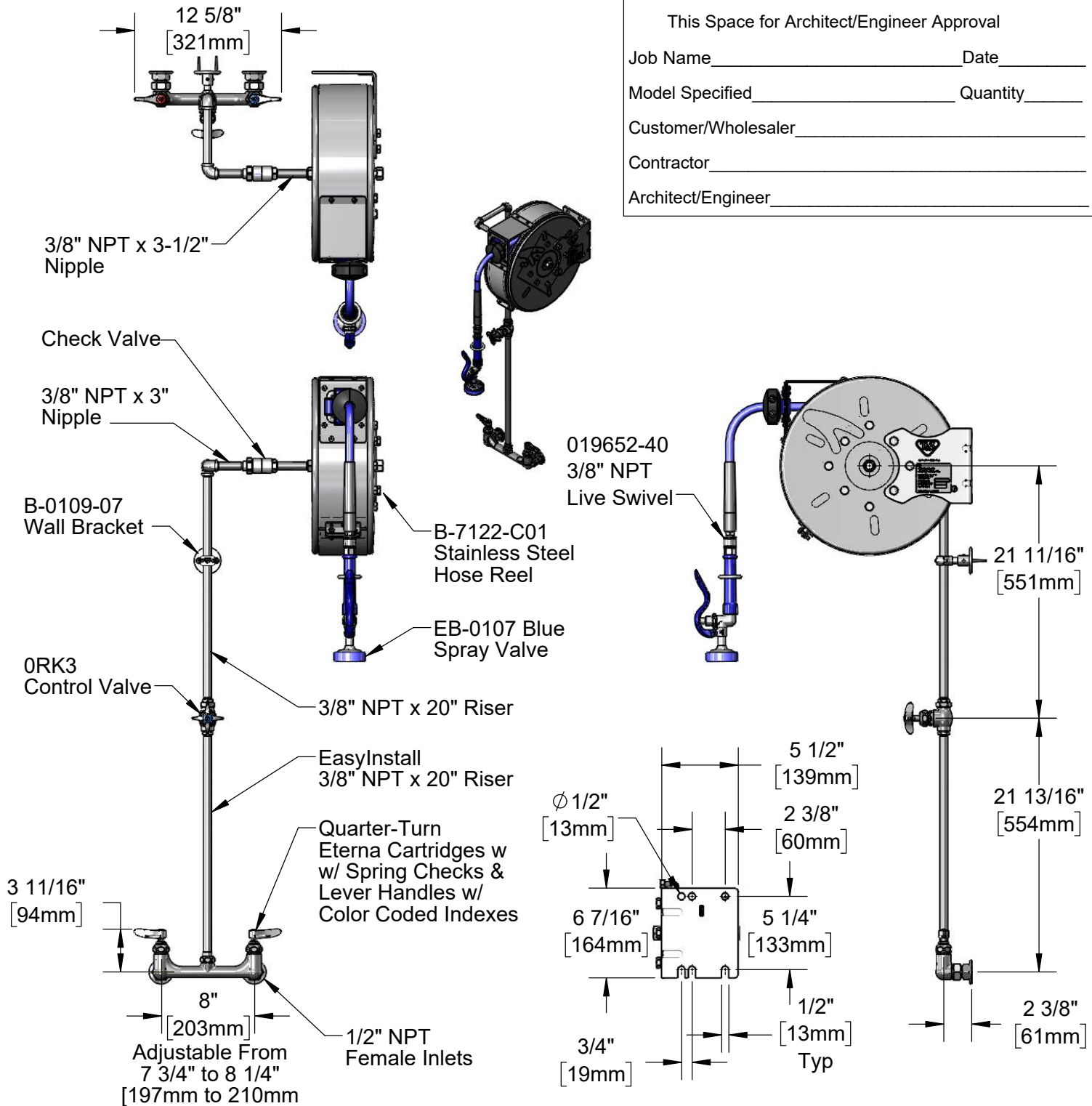
Job Name _____ Date _____

Model Specified _____ Quantity _____

Customer/Wholesaler _____

Contractor _____

Architect/Engineer _____



Product Specifications:

8" Wall Mount Mixing Faucet, Enclosed Stainless Steel Hose Reel w/ 30 Ft Hose, Blue Spray Valve w/ Swivel, Hard Pipe Supply Manifold, Check Valve & Control Valve In Riser

Product Compliance:

NSF 61 Exempt (Non-Potable)
ASSE 1024 (VB)
EPA Act 2005 Non-Compliant (PRSV)



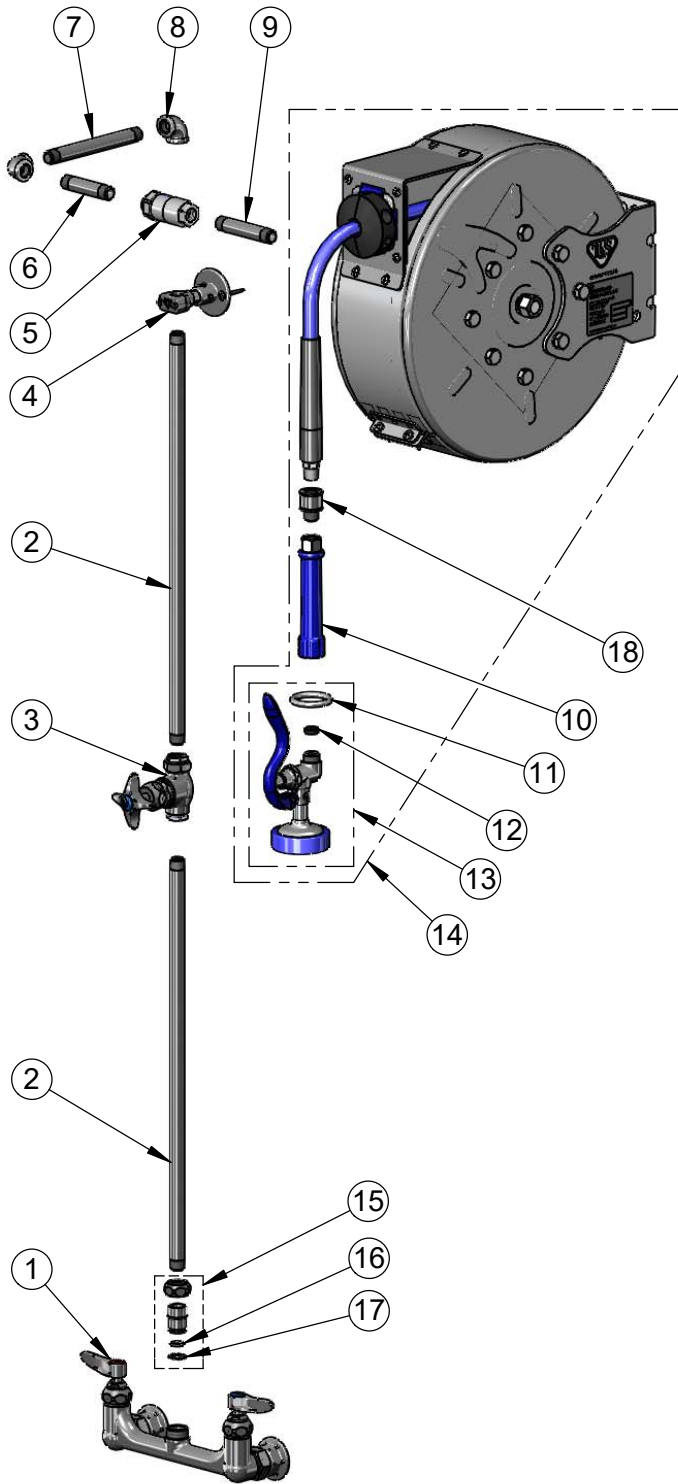
T&S BRASS AND BRONZE WORKS, INC.
 2 Saddleback Cove / P.O. Box 1088
 Travelers Rest, SC 29690

Model No.
B-1433-SC01

Item No.

Travelers Rest, SC: 800-476-4103 • Simi Valley, CA: 800-423-0150 • Fax: 864-834-3518 • www.tsbrass.com

ITEM NO.	SALES NO.	DESCRIPTION
1	002832-40	8" Wall Mount Mixing Faucet
2	000370-40	3/8" NPT x 20" Riser
3	0RK3	Control Valve
4	B-0109-07	Wall Bracket
5	B-0975	Dual Check Valve VB
6	000358-40	Nipple, 3/8" NPT x 3"
7	144X	Nipple, 3/8" x 6"
8	001355-40	Elbow, 3/8 NPT
9	000359-40	Nipple, 3/8" x 3-1/2"
10	012504-40	Blue Grip Handle
11	000907-45	Spray Valve Hold Down Ring
12	010476-45	#27 Washer
13	EB-0107	High Flow Spray Valve (Blue)
14	B-7122-C01	Enclosed SS Reel w/ 30' of 3/8" Hose
15	EZ-K	EasyInstall Kit
16	001065-45	O-Ring
17	014200-45	Star Washer, Anti-Rotation
18	019652-40	3/8" NPT Live Swivel



Product Specifications:
 8" Wall Mount Mixing Faucet, Enclosed Stainless Steel Hose Reel w/ 30 Ft
 Hose, Blue Spray Valve w/ Swivel, Hard Pipe Supply Manifold, Check
 Valve & Control Valve In Riser

Product Compliance:
 NSF 61 Exempt (Non-Potable)
 ASSE 1024 (VB)
 EPAAct 2005 Non-Compliant (PRSV)