



T&S BRASS AND BRONZE WORKS, INC.

2 Saddleback Cove / P.O. Box 1088
Travelers Rest, SC 29690

Model No.

B-1222

Item No.

Travelers Rest, SC: 800-476-4103 • Simi Valley, CA: 800-423-0150 • Fax: 864-834-3518 • www.tsbrass.com

This Space for Architect/Engineer Approval

Job Name _____ Date _____

Model Specified _____ Quantity _____

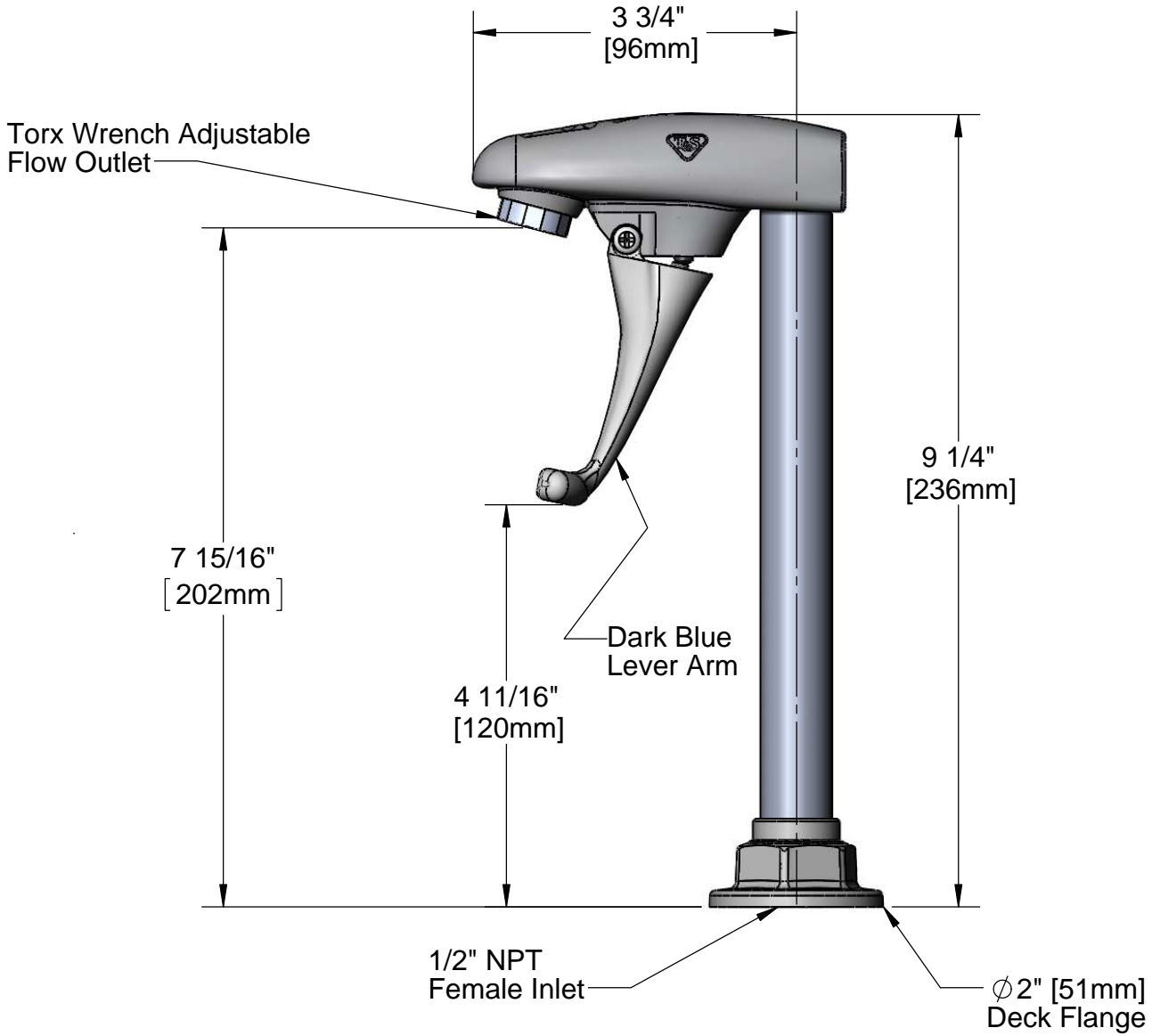
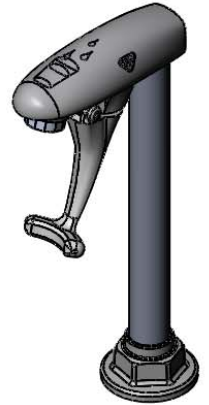
Customer/Wholesaler _____

Contractor _____

Architect/Engineer _____



ADA Compliant



Product Specifications:
8" Pedestal Glass Filler, Push Back Design,
1/2" NPT Female Inlet, Dark Blue Self-Closing Arm
Designed for Water Coolers

Drawn JRM	Checked DMH	Approved JHB
Scale: 1:2		Date: 01/24/13



T&S BRASS AND BRONZE WORKS, INC.

2 Saddleback Cove / P.O. Box 1088

Travelers Rest, SC 29690

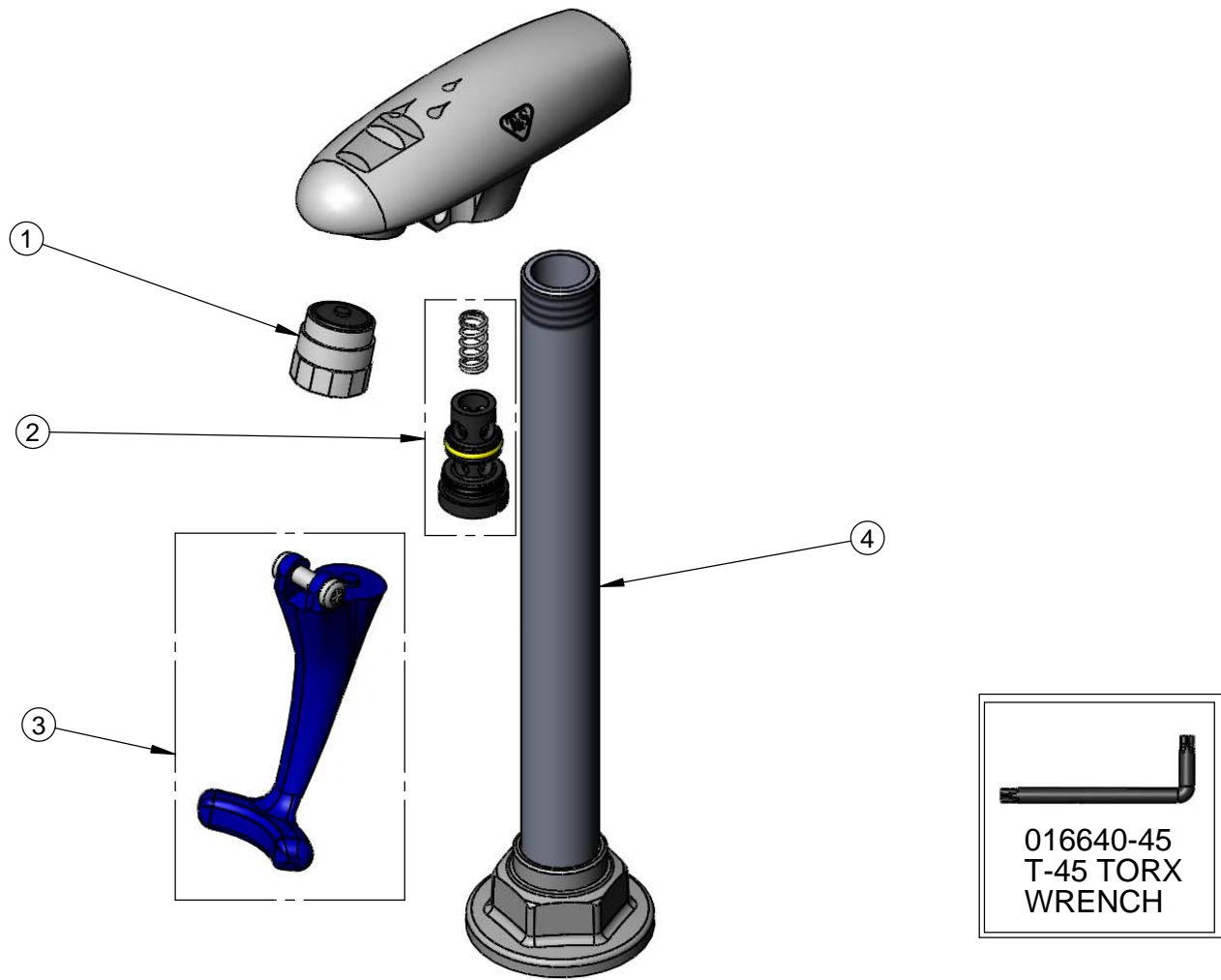
Model No.

B-1222

Item No.

Travelers Rest, SC: 800-476-4103 • Simi Valley, CA: 800-423-0150 • Fax: 864-834-3518 • www.tsbrass.com

ITEM NO.	SALES NO.	DESCRIPTION
1	015588-40	Adjustable Outlet w/ Torx Wrench
2	015589-40	Valve Assembly
3	015550-45	Lever Arm Repair Kit
4	015983-40	B-1222 8" Pedestal & Flange



Product Specifications:
 8" Pedestal Glass Filler, Push Back Design,
 1/2" NPT Female Inlet, Dark Blue Self-Closing Arm
 Designed for Water Coolers

Drawn JRM	Checked DMH	Approved JHB
Scale: NTS		Date: 01/24/13