



**T&S BRASS AND BRONZE WORKS, INC.**  
 2 Saddleback Cove / P.O. Box 1088  
 Travelers Rest, SC 29690

Model No.  
**B-1035**

Item No.

Travelers Rest, SC: 800-476-4103 • Simi Valley, CA: 800-423-0150 • Fax: 864-834-3518 • www.tsbrass.com

This Space for Architect/Engineer Approval

Job Name \_\_\_\_\_ Date \_\_\_\_\_

Model Specified \_\_\_\_\_ Quantity \_\_\_\_\_

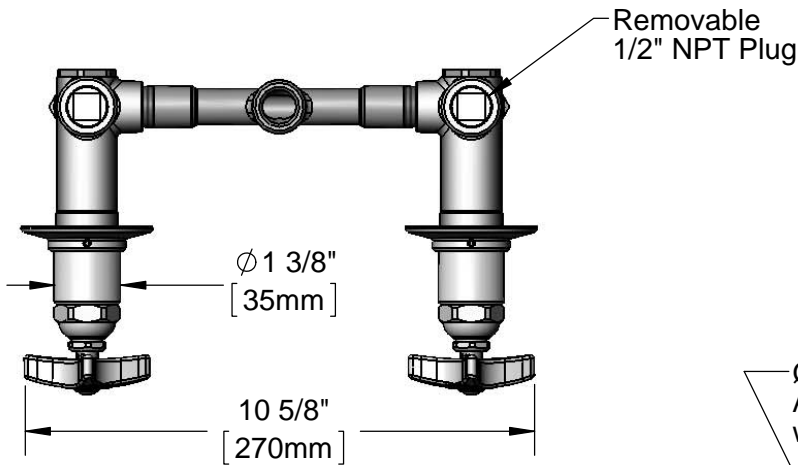
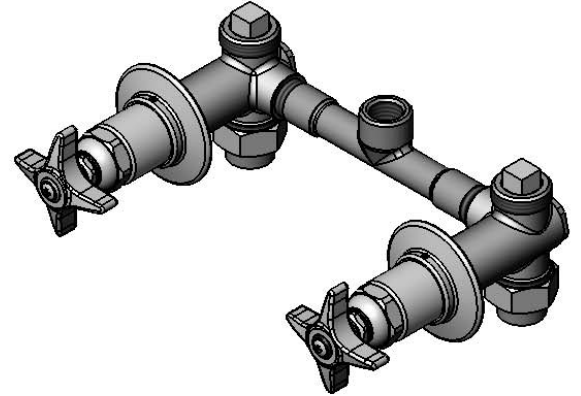
Customer/Wholesaler \_\_\_\_\_

Contractor \_\_\_\_\_

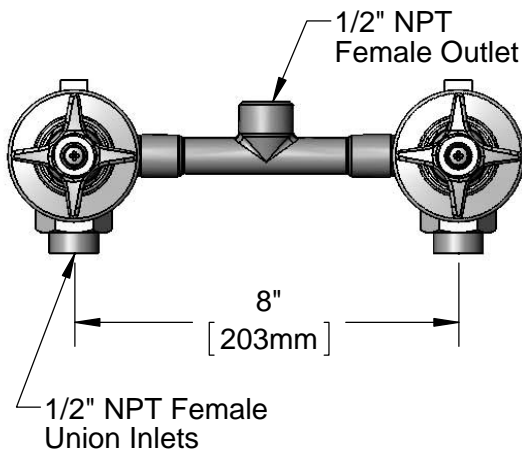
Architect/Engineer \_\_\_\_\_



**ADA Compliant**

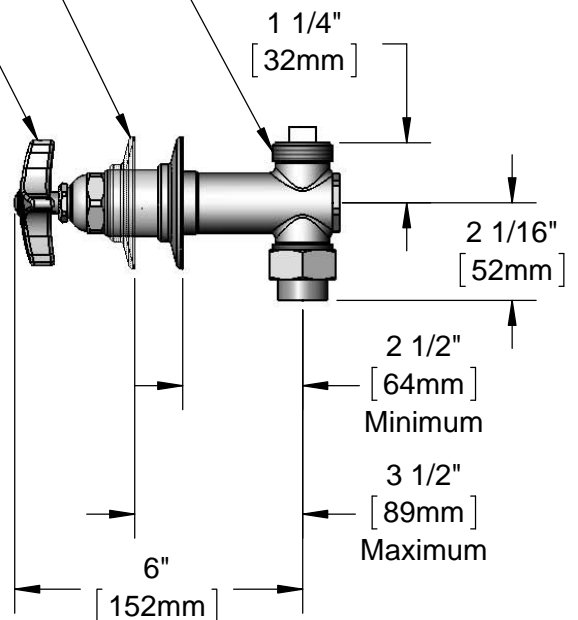


Eterna Cartridges & 4-Arm Handles w/ Color Coded Indexes



$\phi$  2 3/16" [56mm] Adjustable Flange w/ Set Screw

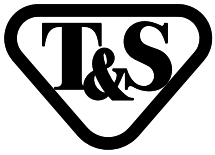
1/2" NPT Female Inlets Externally Threaded For T&S Coupling Nut



Rough-In Requirement:  
 (2)  $\phi$  1 1/2" [38mm] Mounting Holes

Product Specifications:  
 8" Concealed Bypass Mixing Valve, Eterna Cartridges, 4-Arm Handles, Adjustable Wall Flange, 1/2" NPT Female Outlet & 1/2" NPT Female Inlets

Drawn <b>DHL</b>	Checked <b>DMH</b>	Approved <b>JHB</b>
Scale: <b>1:4</b>		Date: <b>11/02/12</b>



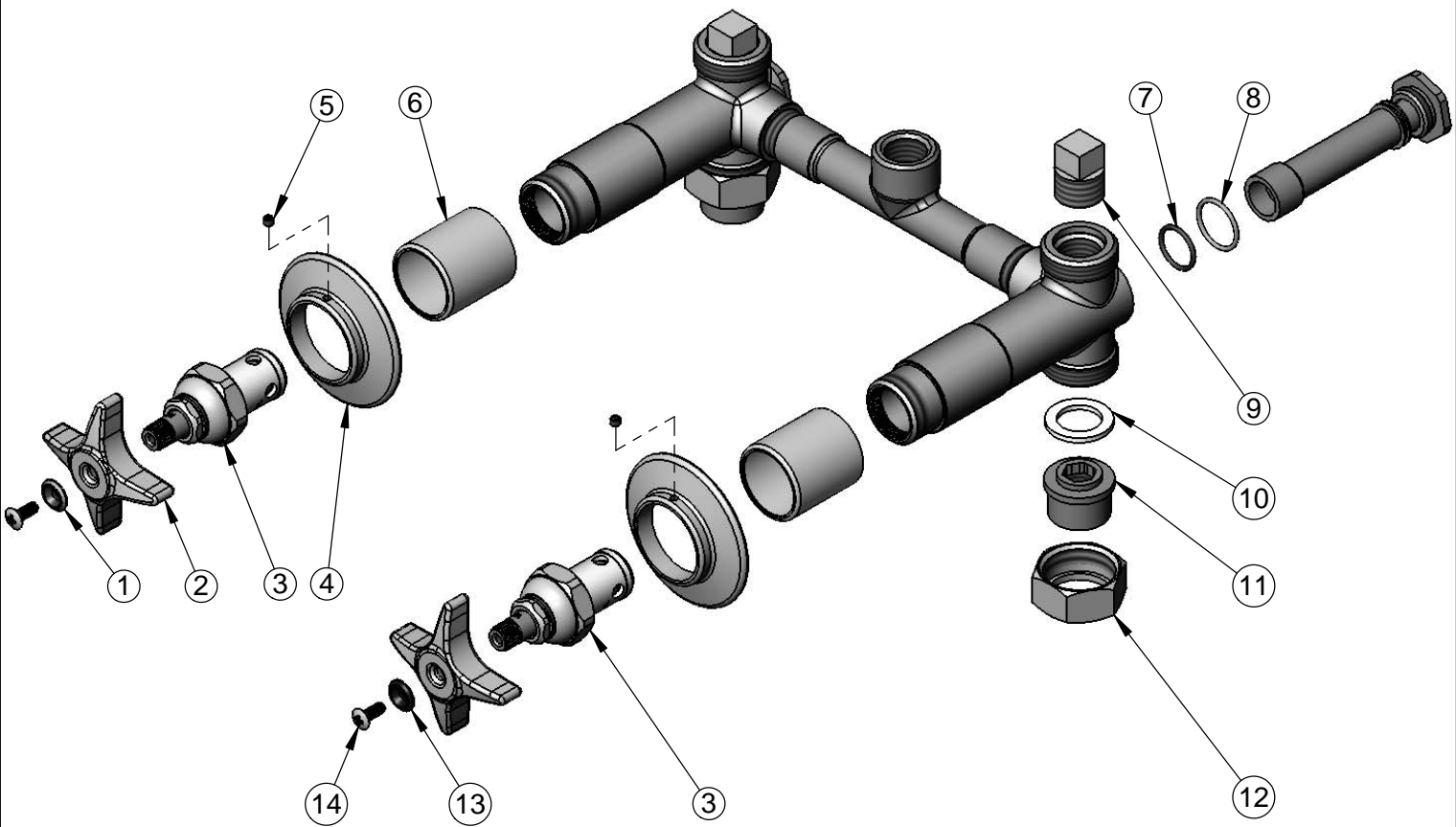
**T&S BRASS AND BRONZE WORKS, INC.**  
 2 Saddleback Cove / P.O. Box 1088  
 Travelers Rest, SC 29690

Model No.  
**B-1035**

Item No.

Travelers Rest, SC: 800-476-4103 • Simi Valley, CA: 800-423-0150 • Fax: 864-834-3518 • www.tsbrass.com

ITEM NO.	SALES NO.	DESCRIPTION
1	001661-45	Red Index-HW
2	002521-45	4-Arm Handle
3	005960-40	Eterna Cartridge, RTC
4	001501-40	Escutcheon
5	000939-45	Escutcheon, Set Screw
6	151F	Escutcheon Tube
7	001062-45	O-Ring
8	001702-45	O-Ring
9	001347-20	1/2" NPT Plug
10	001019-45	Coupling Nut Washer
11	153F	Union Half, 1/2 NPT w/ Washer
12	000721-25	Flange Coupling Nut
13	001660-45	Blue Index-CW
14	000922-45	Lever Handle Screw



Product Specifications:  
 8" Concealed Bypass Mixing Valve, Eterna Cartridges, 4-Arm  
 Handles, Adjustable Wall Flange, 1/2" NPT Female Outlet &  
 1/2" NPT Female Inlets

Drawn <b>DHL</b>	Checked <b>DMH</b>	Approved <b>JHB</b>
Scale: <b>NTS</b>		Date: <b>11/02/12</b>