

**T&S BRASS AND BRONZE WORKS, INC.**

2 SADDLEBACK COVE / P.O. BOX 1088 / TRAVELERS REST, SC 29690

PHONE 800-476-4103

FAX 864-834-3518



REG.#A2601  
ISO #9002

Model No.

B-1025-ST

Item No.:

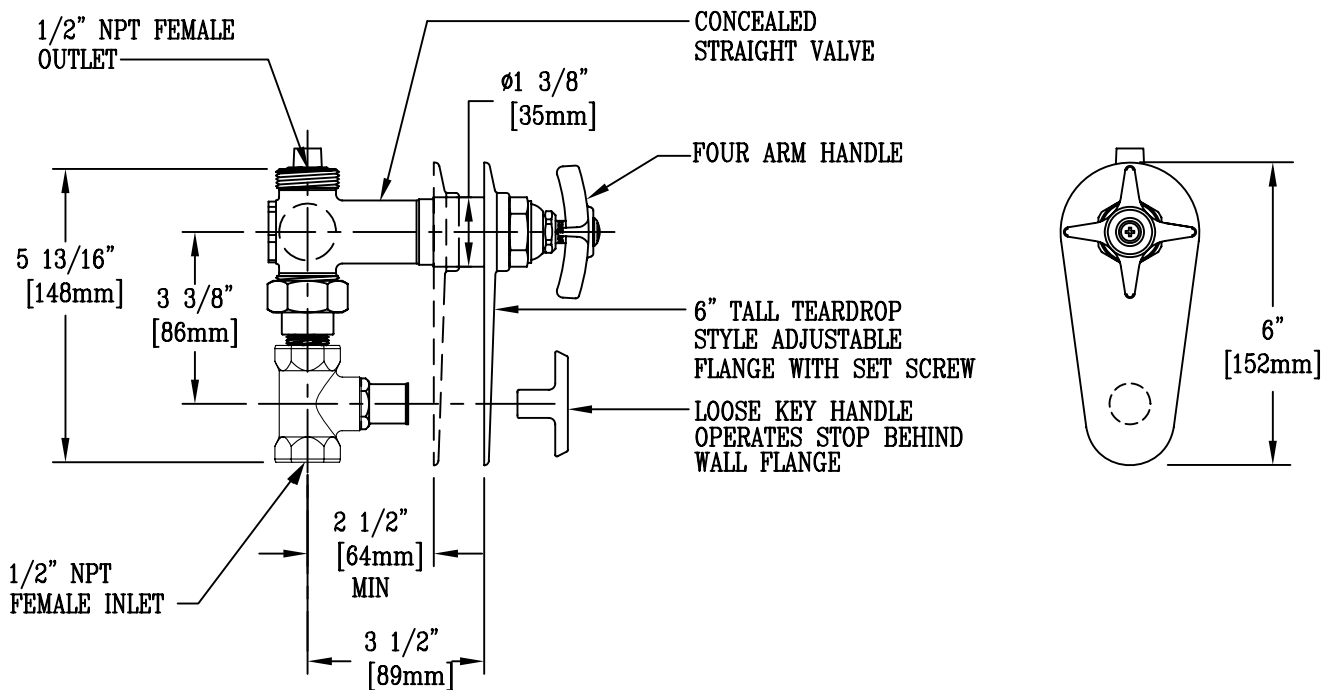
Job Name:

Architect/Engineer Approval:

Notes:



ADA COMPLIANT



Product Description:

CONCEALED STRAIGHT VALVE w/ 1/2" NPT INLET & OUTLET, 4-ARM HANDLE, & INTEGRAL LOOSE KEY STOPS

Drawn:

KJG

Checked

DHL

Scale:

1 : 4

Approved

JHB

Date:

08/25/09