



T&S BRASS AND BRONZE WORKS, INC.

2 SADDLEBACK COVE / P.O. BOX 1088 / TRAVELERS REST, SC 29690

PHONE 800-476-4103

FAX 864-834-3518



REG.#A2601  
ISO #9002

Model No.

B-0320-LN

Item No.:

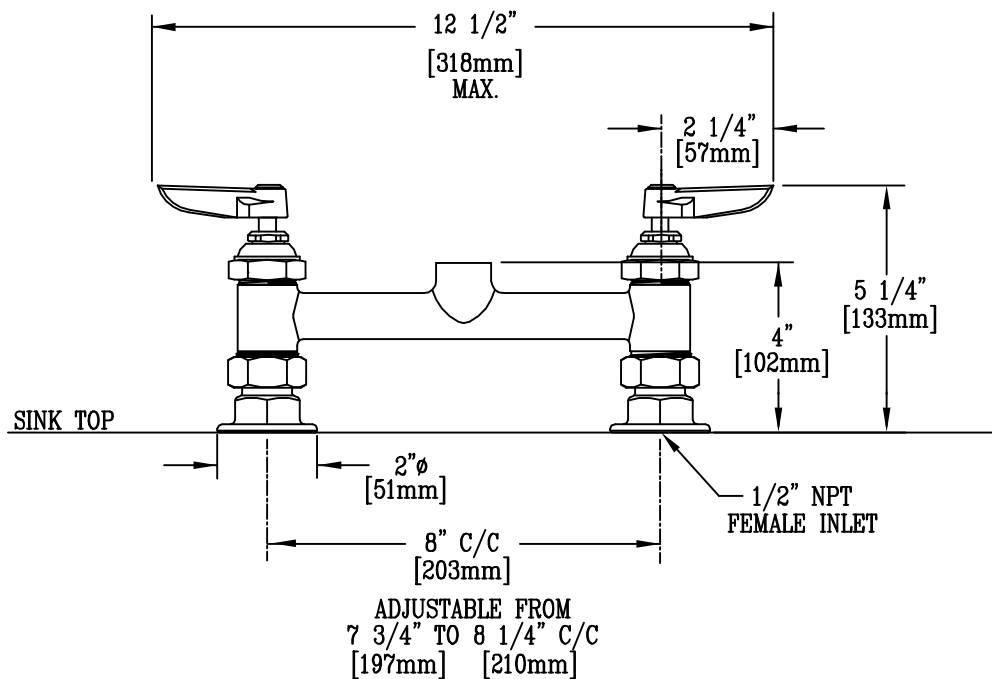
Job Name:

Architect/Engineer Approval:

Notes:



ADA COMPLIANT



NOTE: NSF STANDARD 61, SECTION 9 CERTIFIED

Product Description:  
DECK MIXING FAUCET WITH  
LEVER HANDLES, 1/2" NPT INLETS, &  
LESS NOZZLE

Drawn:

MCW

Approved

CA

Checked

MW

Scale:

3" = 1'

Date:

10/23/95