



**T&S BRASS AND BRONZE WORKS, INC.**  
 2 Saddleback Cove / P.O. Box 1088  
 Travelers Rest, SC 29690

Model No.  
**B-0123-A-08 SERIES**

Item No.

Travelers Rest, SC: 800-476-4103 • Simi Valley, CA: 800-423-0150 • Fax: 864-834-3518 • www.tsbrass.com

This Space for Architect/Engineer Approval

Job Name \_\_\_\_\_ Date \_\_\_\_\_

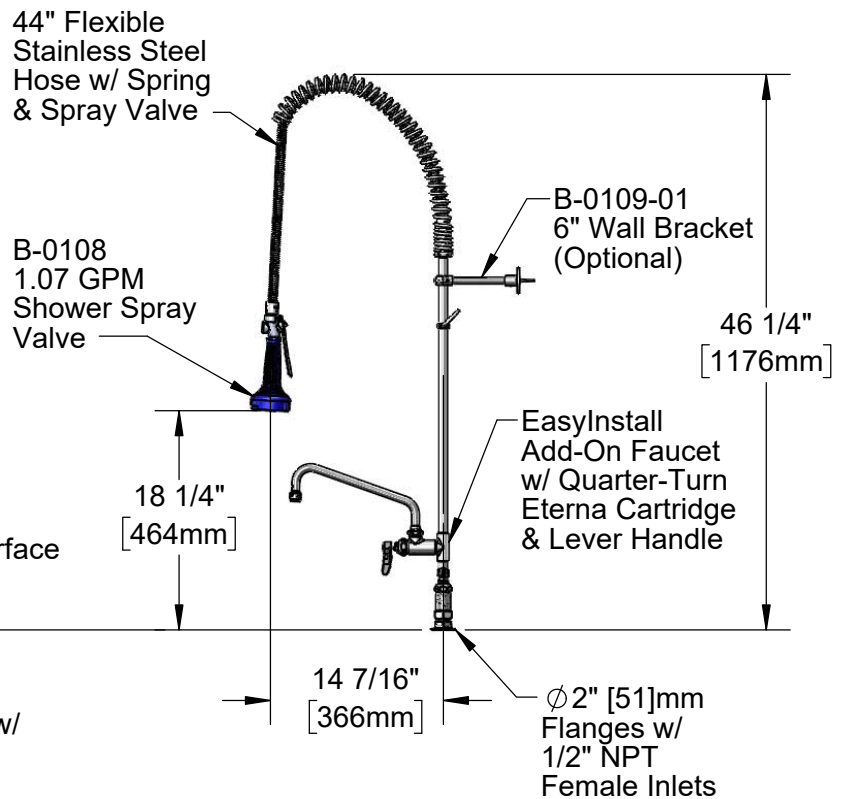
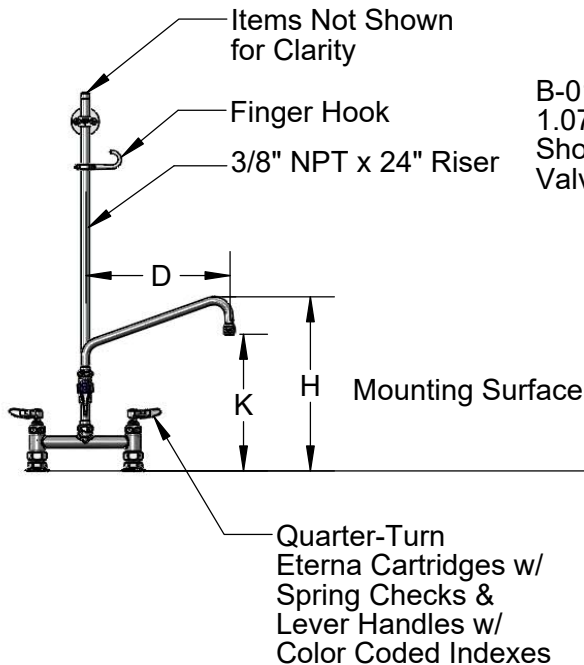
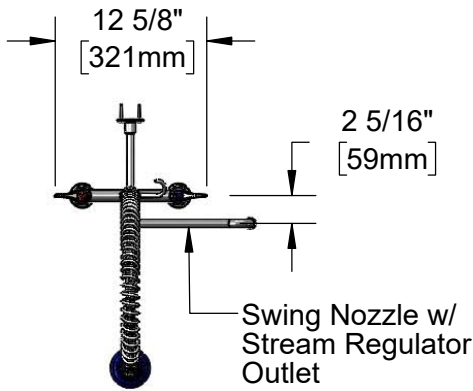
Model Specified \_\_\_\_\_ Quantity \_\_\_\_\_

Customer/Wholesaler \_\_\_\_\_

Contractor \_\_\_\_\_

Architect/Engineer \_\_\_\_\_

Model	Swing Nozzle	D	K	H	6" Wall Bracket
B-0123-A06-B08	059X	6"	9 7/16"	12 9/16"	Yes
B-0123-A08-B08	060X	8"	10"	13 1/8"	Yes
B-0123-A10-08	061X	10"	10 3/4"	13 7/8"	No
B-0123-A10-B08	061X	10"	10 3/4"	13 7/8"	Yes
B-0123-A12-08	062X	12"	11 3/8"	14 1/2"	No
B-0123-A12-B08	062X	12"	11 3/8"	14 1/2"	Yes



Product Specifications:  
 EasyInstall Pre-Rinse Unit:  
 8" Deck Mount Base Mixing Faucet, Quarter-Turn Eterna Cartridges w/  
 Spring Checks, Add-On Faucet w/ Swing Nozzle, 24" Riser, 44" Flexible  
 Stainless Steel Hose, 1.07 GPM Spray Valve & 6" Wall Bracket (Optional)

Product Compliance:  
 ASME A112.18.1 / CSA B125.1  
 NSF 61 - Section 9  
 NSF 372 (Low Lead Content)  
 EPA Act 2005 (PRSV)



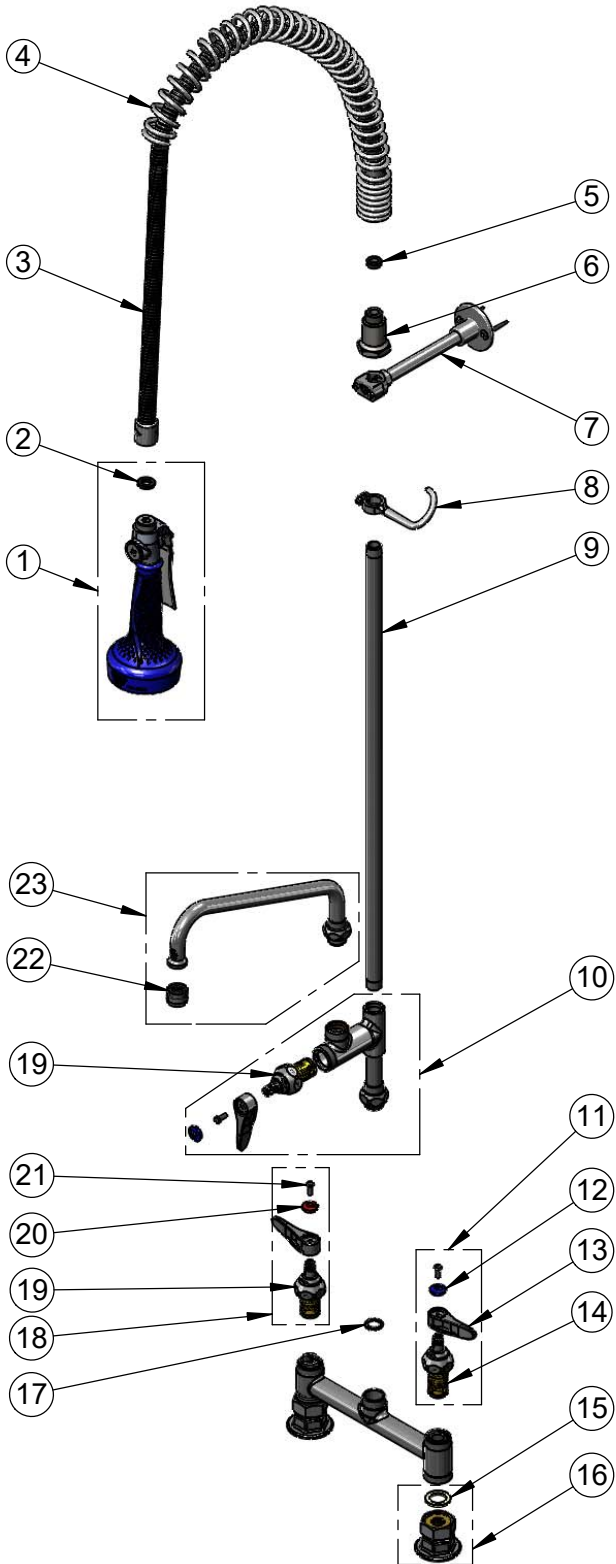
# T&S BRASS AND BRONZE WORKS, INC.

2 Saddleback Cove / P.O. Box 1088  
Travelers Rest, SC 29690

Model No.  
**B-0123-A-08 SERIES**

Item No.

Travelers Rest, SC: 800-476-4103 • Simi Valley, CA: 800-423-0150 • Fax: 864-834-3518 • www.tsbrass.com



ITEM NO.	SALES NO.	DESCRIPTION
1	B-0108	1.07 GPM Spray Valve w/ Ergo-Grip
2	001014-45	Washer, B-0100 Hose Barrel
3	B-0044-H2A	44" Flexible Stainless Steel Hose, Less Handle
4	000888-45	EasyInstall Overhead Spring
5	010476-45	#27 Washer
6	000821-40	Spring Body
7	B-0109-01	6" Wall Bracket
8	004R	Finger Hook
9	000372-40	3/8" NPT x 24" Riser
10	B-0155-LN	Add-On Faucet w/ Quarter-Turn Turn Eterna Cartridge, RTC & Lever Handle (Less Nozzle)
11	002711-40NS	Quarter-Turn Eterna Cartridge, LTC w/ Spring Check, Handle, Index & Screw
12	018506-19NS	Blue Button Index, Press-in
13	001638-45NS	Lever Handle (New Style)
14	012442-40NS	Quarter-Turn Eterna Cartridge, LTC w/ Spring Check
15	001019-45	Coupling Nut Washer
16	00AA	1/2" NPT Female Eccentric Flange
17	014200-45	Star Washer, Anti-Rotation
18	002712-40NS	Quarter-Turn Eterna Cartridge, RTC w/ Spring Check, Handle, Index & Screw
19	012443-40NS	Quarter-Turn Eterna Cartridge, RTC w/ Spring Check
20	001193-19NS	Red Button Index, Press-in
21	000925-45	Lab Handle Screw
22	B-PT	Full Flow Stream Regulator, 55/64-27
23	See Chart	Swing Nozzle

**Product Specifications:**  
EasyInstall Pre-Rinse Unit:  
8" Deck Mount Base Mixing Faucet, Quarter-Turn Eterna Cartridges w/ Spring Checks, Add-On Faucet w/ Swing Nozzle, 24" Riser, 44" Flexible Stainless Steel Hose, 1.07 GPM Spray Valve & 6" Wall Bracket (Optional)

**Product Compliance:**  
ASME A112.18.1 / CSA B125.1  
NSF 61 - Section 9  
NSF 372 (Low Lead Content)  
EPA Act 2005 (PRSV)