



T&S BRASS AND BRONZE WORKS, INC.
 2 Saddleback Cove / P.O. Box 1088
 Travelers Rest, SC 29690

Model No.
069X

Item No.

Travelers Rest, SC: 800-476-4103 • Simi Valley, CA: 800-423-0150 • Fax: 864-834-3518 • www.tsbrass.com

This Space for Architect/Engineer Approval

Job Name _____ Date _____

Model Specified _____ Quantity _____

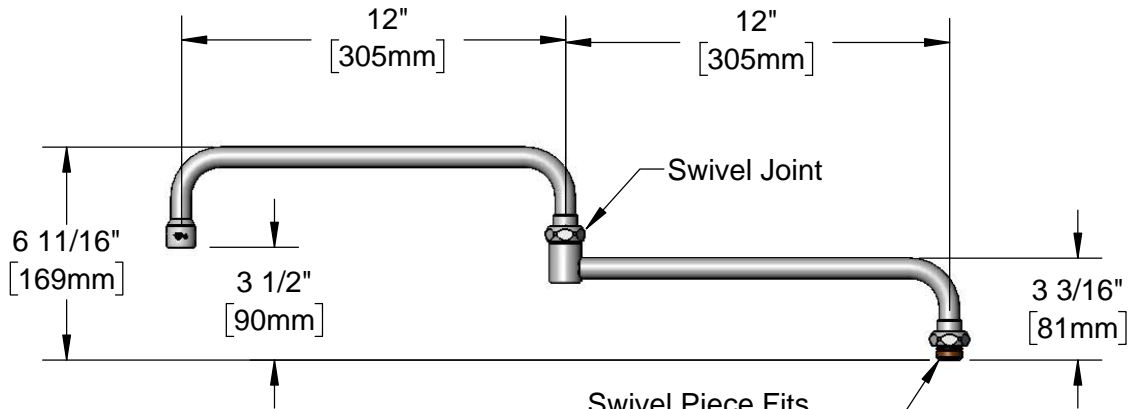
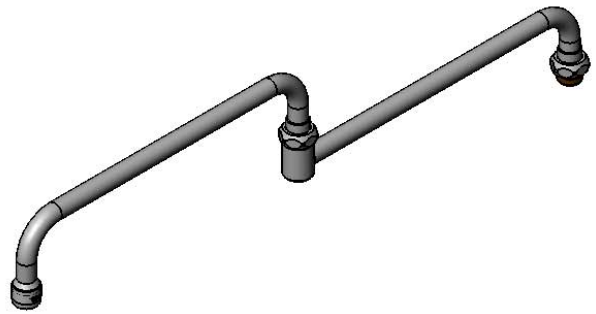
Customer/Wholesaler _____

Contractor _____

Architect/Engineer _____



B-PT
Stream
Regulator
Outlet



Swivel Joint

Swivel Piece Fits
All Standard
T&S Swivel Outlets

Product Specifications:
 24" Double Joint Swing Nozzle (12" Back Section, 12" Front Section)

Product Compliance:
 ASME A112.18.1 / CSA B125.1
 NSF 61 - Section 9
 NSF 372 (Low Lead Content)



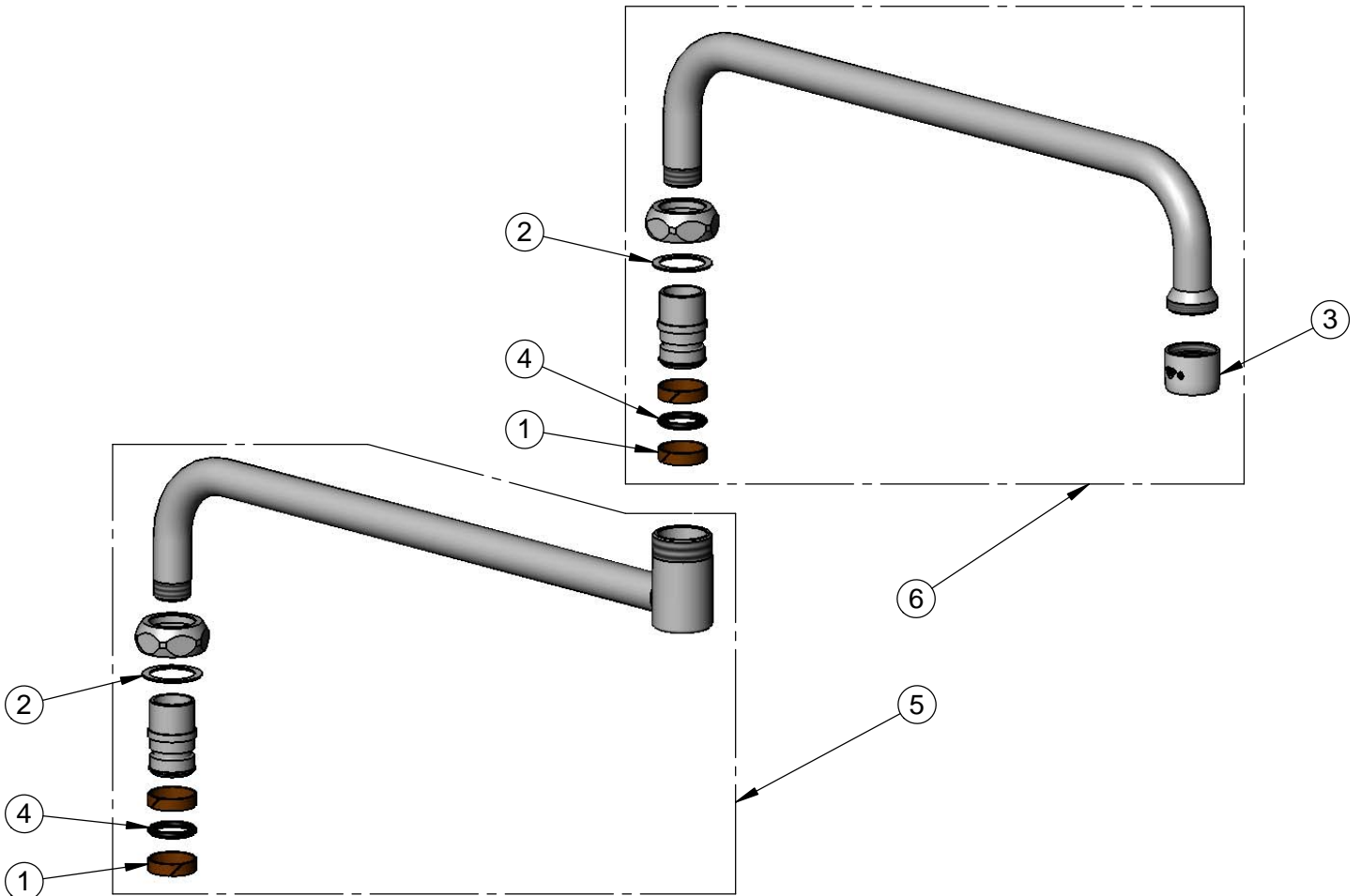
T&S BRASS AND BRONZE WORKS, INC.
 2 Saddleback Cove / P.O. Box 1088
 Travelers Rest, SC 29690

Model No.
069X

Item No.

Travelers Rest, SC: 800-476-4103 • Simi Valley, CA: 800-423-0150 • Fax: 864-834-3518 • www.tsbrass.com

ITEM NO.	SALES NO.	DESCRIPTION
1	011429-45	Swivel Sleeves (2)
2	009538-45	Swivel Washer
3	B-PT	Stream Regulator Outlet
4	001074-45	O-Ring
5	002871-40	12" Back Section
6	006186-40	12" Front Section



Product Specifications:
 24" Double Joint Swing Nozzle (12" Back Section, 12" Front Section)

Product Compliance:
 ASME A112.18.1 / CSA B125.1
 NSF 61 - Section 9
 NSF 372 (Low Lead Content)