

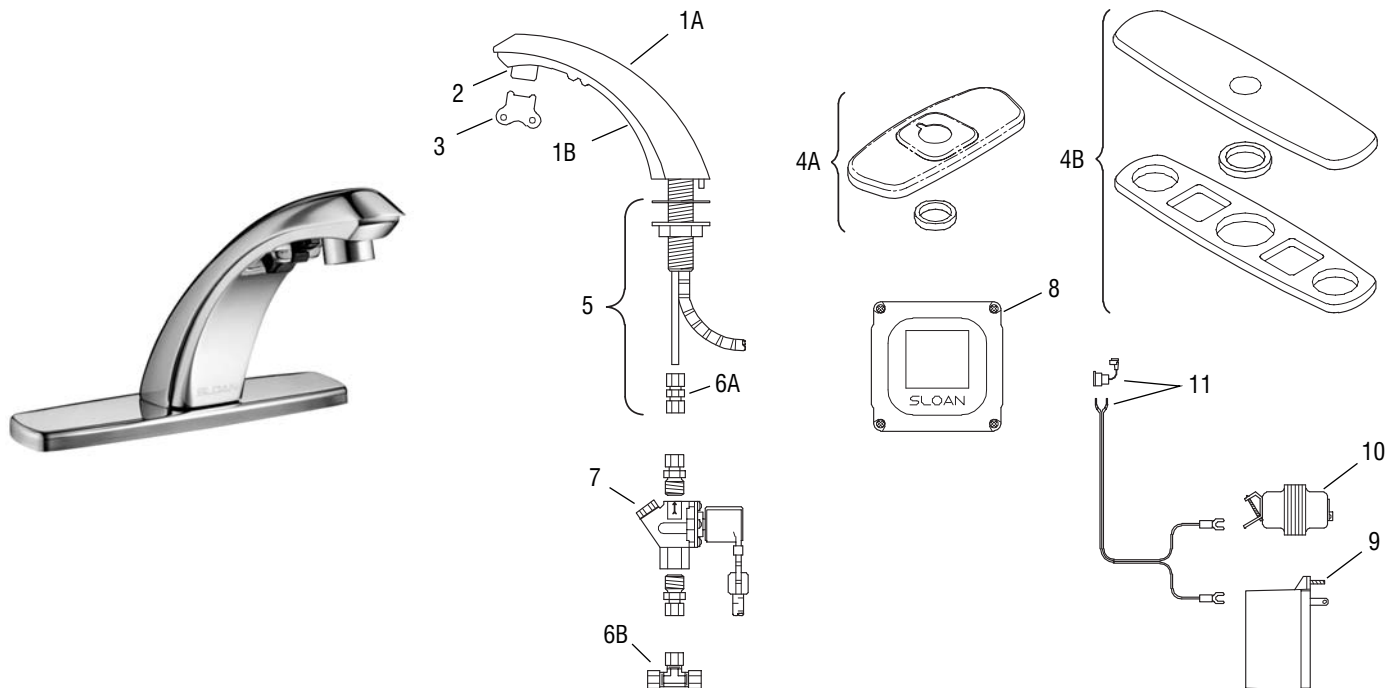
SLOAN[®]

SENSOR FAUCETS

Parts Guide

• 24 VAC HARDWIRE FAUCETS

OPTIMA ETF-880 Faucet



Parts List — and ETF-880 Faucet

Item No.	Code No.	Part No.	Description
1A	0365054	ETF-625-A	CP Spout Assembly, includes Item 1B
1B	3365548	ETF-1031	Repair Kit Throat Plate and Sensor (CP)
2	3365091	ETF-1021-A	0.5 gpm (1.9 Lpm) Spray Head with Key (female thread)
	3365090	ETF-1022-A	2.2 gpm (8.3 Lpm) Aerator Spray Head with Key (female thread)
	3365161	ETF-1028-A	1.5 gpm (5.7 Lpm) Laminar Flow Spray Head (female thread)
3	0305927	ETF-435	Replacement Key ONLY for ETF-1021-A Spray Head and ETF-1022-A Aerator Spray Head
4A	3365473	ETF-662-A	4" (102 mm) Centerset Trim Plate Kit for ETF-880 Faucet (CP)
4B	3365024	ETF-510-A	8" (203 mm) Centerset Trim Plate Kit includes two (2) Finger Nuts, two (2) Washer Gaskets, two (2) Fender Washers, Base Gasket, Back-up Spacer and CP Single Hole Trim Plate Assembly (CP)
5	0305626	ETF-290-A	Faucet Mounting Kit includes Rubber Gasket, Flange Nut, and ETF-297 Compression Fitting Connector
6A	0305736	ETF-297	1/4" to 3/8" Compression Fitting Connector
6B	3365461	ETF-617-A	3/8" Bak-Chek [®] Tee Compression Fitting (not used with mixing valve)
7	0305849	ETF-370-A	24 VAC Solenoid Valve Assembly
	3305577	ETF-1009-A	Solenoid Valve Repair Kit includes Replacement Filter
	3365676	ETF-437-A	Single Solenoid Supply Kit includes two (2) ETF-61 Compression Fittings
8	3365000	ETF-450-A	Control Module Assembly includes splashproof Junction Box and Junction Box Mounting Kit
9	0365534	ETF-233	120VAC/24VAC - 35VA Plug-In Transformer
10	0345370	EL-248-40	120VAC/24VAC - 40VA Box Mount Transformer
11	0365001	ETF-458-A	Power Cable (Transformer to Control Module) includes Strain Relief and two (2) Terminal Crimp Connectors

FAUCET CABLE EXTENSION CORDS

—	0365042	ETF-1005-26	Faucet to Control Module Extension Cord; 26 inch (0.7 meter) Length
—	0365861	ETF-1005-36	Faucet to Control Module Extension Cord; 36 inch (0.9 meter) Length
—	0305862	ETF-1005-72	Faucet to Control Module Extension Cord; 72 inch (1.8 meter) Length
—	0305863	ETF-1005-108	Faucet to Control Module Extension Cord; 108 inch (2.7 meter) Length
—	0365838	ETF-1003-36	Solenoid to Control Module Extension Cord; 36 inch (0.9 meter) Length
—	0365053	ETF-1003-48	Solenoid to Control Module Extension Cord; 48 inch (1.2 meter) Length
—	0365839	ETF-1003-72	Solenoid to Control Module Extension Cord; 72 inch (1.8 meter) Length
—	0365840	ETF-1003-108	Solenoid to Control Module Extension Cord; 108 inch (2.7 meter) Length

Troubleshooting Guide for ETF-880 Faucet

NOTE: Revision 2 ETF-450-A Control Modules (manufactured after April 1999) have built-in reset fuses to protect the circuitry if a Sensor or Solenoid fails or shorts. In earlier models, a Sensor or Solenoid short or failure could also result in an ETF-450-A Control Module failure.

NOTE: REMOVE COVER FROM ETF-450-A CONTROL MODULE TO CHECK DIAGNOSTIC LIGHTS.

1. PROBLEM: No water is delivered when Faucet is activated.

INDICATOR: If no LED lights illuminate:

CAUSE: No electricity is being supplied to Faucet.

SOLUTION: Ensure that the main power is turned "ON." Check all Transformer, Sensor, Solenoid and Cable Connections. Make sure that Transformer is supplying 24 VAC (Volts AC). If no voltage is detected, replace Transformer.

CAUSE: There is an electrical system malfunction.

SOLUTION: Reset electrical system. Unplug Sensor Connection. Disconnect power to circuit for ten (10) seconds. Reconnect.

INDICATOR: If the GREEN LED illuminates when power is reconnected:

CAUSE: There is a short in the Sensor.

SOLUTION: Replace Sensor. Refer to individual Faucet parts diagram for appropriate Sensor Assembly.

Note: GREEN LED may illuminate immediately after Sensor disconnection.

CAUSE: There is a short in the Solenoid or Solenoid Cable.

SOLUTION: Replace ETF-370-A Solenoid.

INDICATOR: If the GREEN LED does NOT illuminate when power is reconnected:

CAUSE: There is an electrical system malfunction.

SOLUTION: Reset electrical system. Unplug Sensor Connection. Disconnect power to circuit for ten (10) seconds. Reconnect.

CAUSE: The Control Module circuit is "dead."

SOLUTION: Replace ETF-450-A Control Module.

INDICATOR: If GREEN LED illuminates AND changes to RED when hands are in the Sensor's detection zone AND the RED Solenoid LED illuminates:

CAUSE: Water supply stop(s) may be partially closed.

SOLUTION: Open supply stop(s) completely.

CAUSE: Debris is clogging Solenoid Filter.

SOLUTION: Shut off water supply. Remove, clean and reinstall Solenoid Filter.

INDICATOR: If GREEN LED illuminates AND changes to RED when hands are placed in the Sensor's detection zone AND the RED Solenoid LED flickers with a vibrating/clicking noise heard inside the module:

Note: Applies only to REVISION 2 MODULES.

CAUSE: There is a direct short in the Solenoid or Solenoid Cable.

SOLUTION: Replace with ETF-370-A Solenoid.

INDICATOR: If GREEN/RED LED illuminates AND changes to RED when hands are NOT located in the Sensor's detection zone BUT the RED Solenoid LED (in upper left corner of circuit) does NOT illuminate:

CAUSE: Sensor range is set too long and is detecting the sink.

SOLUTION: Reduce Sensor detection range.

CAUSE: Sensor is faulty.

SOLUTION: Replace Sensor. Refer to individual Faucet parts diagram for appropriate Sensor Assembly.

INDICATOR: If GREEN LED illuminates BUT does NOT change to RED when hands are placed in the Sensor's detection zone:

CAUSE: Sensor range is set too short.

SOLUTION: Increase Sensor detection range.

CAUSE: Sensor is faulty.

SOLUTION: Replace Sensor. Refer to individual Faucet parts diagram for appropriate Sensor Assembly.

2. PROBLEM: Sensing Range is too short.

CAUSE: Extended Range Sensitivity is required.

SOLUTION: Dip Switch number 4 should be in the "DOWN" (Extended Range Sensitivity) position. Increase range by adjusting Range Potentiometer clockwise (yellow phillips screw in blue base).

CAUSE: Faucet has Surgical Bend Gooseneck Spout.

SOLUTION: For Long Range use (recommended for Surgical Bend Gooseneck Spout Faucet models), remove Range Jumper from upper right hand corner of Circuit Board. Adjust Range Potentiometer.

Note: Applies only to REVISION 2 MODULES.

3. PROBLEM: Faucet activates by itself (false triggers).

CAUSE: Sensor range is set too long.

SOLUTION: Decrease range by adjusting Range Potentiometer counterclockwise. If necessary, flip Dip Switch number 4 into the "UP" (Reduced Range Sensitivity) position. Check surroundings for factors that contribute to Sensor range detection problems (bright lights, highly reflective surfaces, sunlight, etc.).

4. PROBLEM: Faucet delivers very low flow or just a dribble.

CAUSE: Water supply stop(s) may be partially closed.

SOLUTION: Open supply stop(s) completely.

CAUSE: Debris is clogging Solenoid Filter.

SOLUTION: Shut off water. Remove, clean, and reinstall Solenoid Filter or replace Solenoid Filter ETF-1030.

CAUSE: Solenoid is worn or faulty.

SOLUTION: Rebuild with ETF-649-A Solenoid Repair Kit or replace ETF-370-A Solenoid.

CAUSE: Debris is clogging Faucet Aerator or Spray Head.

SOLUTION: Shut off water. Remove Aerator or Spray Head (use Key if required). Clean and reinstall Aerator or Spray Head.

5. PROBLEM: Faucet does not stop delivering water or continues to drip after user is no longer detected (even after power to the Module has been disconnected).

CAUSE: Solenoid Valve is installed backward.

SOLUTION: Disconnect Solenoid. Reconnect Solenoid with water flow toward the Faucet (see arrow on Solenoid).

CAUSE: Debris is clogging Solenoid.

SOLUTION: Remove and clean Solenoid Operator. If necessary, rebuild with ETF-649-A Solenoid Repair Kit.

CAUSE: Seat in Solenoid Valve body is damaged or pitted.

SOLUTION: Replace with ETF-370-A Solenoid.

The information contained in this document is subject to change without notice.

LIMITED WARRANTY

Sloan Valve Company warrants its Faucet Products to be made of first class materials, free from defects of material or workmanship under normal use and to perform the service for which they are intended in a thoroughly reliable and efficient manner when properly installed and serviced, for a period of three years (one year for special finishes) from date of purchase. During this period, Sloan Valve Company will, at its option, repair or replace any part or parts which prove to be thus defective if returned to Sloan Valve Company, at customer's cost, and this shall be the sole remedy available under this warranty. No claims will be allowed for labor, transportation or other incidental costs. This warranty extends only to persons or organizations who purchase Sloan Valve Company's products directly from Sloan Valve Company for purpose of resale.

THERE ARE NO WARRANTIES WHICH EXTEND BEYOND THE DESCRIPTION ON THE FACE HEREOF. IN NO EVENT IS SLOAN VALVE COMPANY RESPONSIBLE FOR ANY CONSEQUENTIAL DAMAGES OF ANY MEASURE WHATSOEVER.

AIR DELIGHTS, INC. - 9974 SW ARCTIC DR. - BEAVERTON, OR. 97005

Phone: 1-800-440-5556 or 1-503-352-1201 • Fax: 1-503-643-8224 • www.airdelights.com