

DESCRIPTION

Complete vitreous china urinal.

Flush Cycle

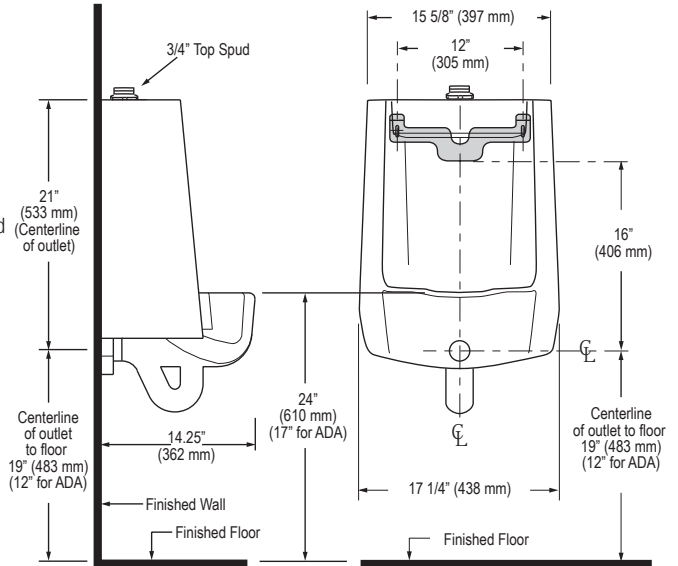
Model SU-1005-0.5 (0.5 gpf/1.9 Lpf)



SPECIFICATIONS

Urinal

- Wall hung vitreous china
- Washdown flushing action
- 3/4" I.P.S. top spud inlet
- 2" NPT outlet flange
- All mounting hardware included
- Integral flushing rim
- 100 % factory flush tested
- Compatible with:
Jay R. Smith Carrier 0636 or 0637



Product Specification

Washdown urinal shall be made of vitreous china with a 3/4" top spud. Urinal shall have a 14" rim. Urinal shall include a removable strainer, inlet spud, and hanger. Urinal shall use 0.5 gpf / 1.9 Lpf. Urinal shall be Sloan Model SU-1005-0.5.

NOTE: Plumbing System Requirements
√ Minimum **Flowing** Pressure: 25 PSI

This space for Architect/Engineer approval	
Job Name	Date
Model Specified	Quantity
Variations Specified	
Customer/Wholesaler	
Contractor	
Architect	



Sloan Valve Company is buying renewable energy certificates to meet 100% of the company's purchased electricity use at its Franklin Park, Illinois facility.

SLOAN

Air Delights, Inc.
9974 SW Arctic Dr
Beaverton, OR 97005
Phone: 1-800-440-5556
or 1-503-352-1201
Fax: 1-503-643-8442
www.airdelights.com

Copyright © 2009 Sloan Valve Company
08/09 Rev. 0