

MANUAL WALL-MOUNT HAND SANITIZER DISPENSER



The SJS-1400 manual hand sanitizer dispenser uses a bag-type refill that simplifies replacement and reduces waste.

This manual dispenser delivers a pre-measured amount of liquid sanitizer per application – giving approximately 1000 uses per refill. The sight glass indicates low sanitizer level.

- Pre-measured sanitizer per use
- Push-style dispensing mechanism
- Easy-to-replace refills, no contamination
- Attaches to any wall in minutes

Product Number: SJS-1400

Product Code: 7000008

Color: Chrome

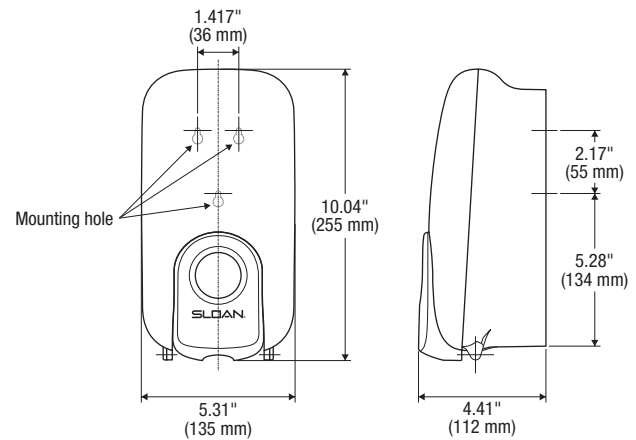
Size: W 5.31" x D 4.41" x H 10.04"
(W 135 mm x D 112 mm x H 255 mm)

Quantity/pack: 1

Quantity/case: 6

Refills:

Product No.	Description	Order No.
SJS-1401	Manual Alcohol Mist Hand Sanitizer	5700600



The information contained in this document is subject to change without notice.

SLOAN®

Air Delights, Inc.
9974 SW Arctic Dr.
Beaverton, Or. 97005
Phone: 80-440-5556
Fax: 643-8224
www.airdelights.com