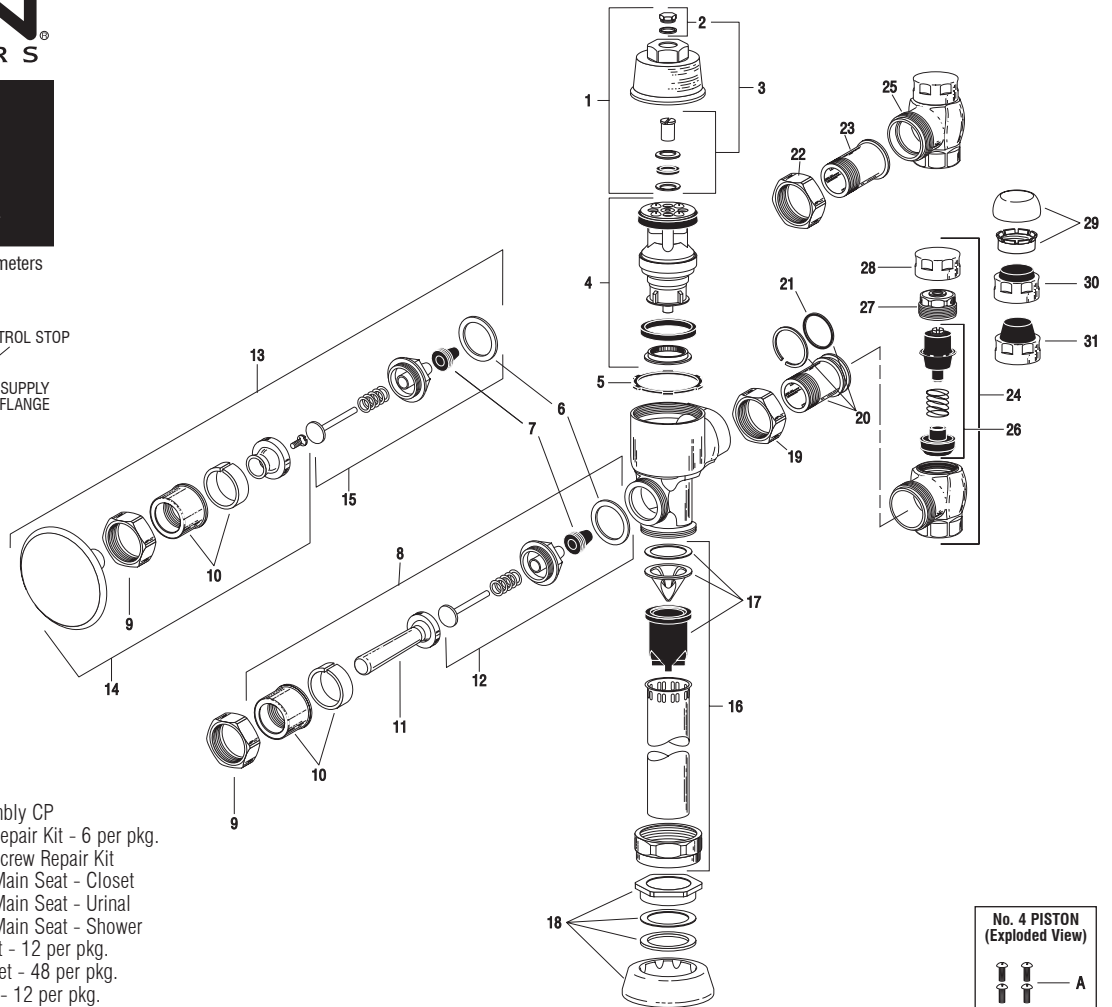
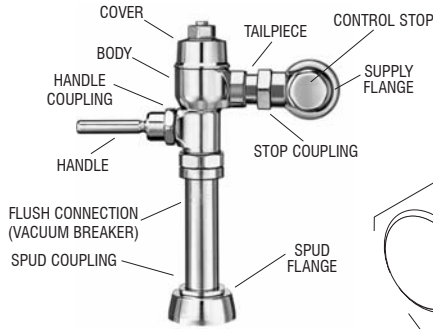


## NAVAL® Flushometer Maintenance Guide

Also for use with CROWN® and STAR® Flushometers



### PARTS LIST

- |     |         |           |  |
|-----|---------|-----------|--|
| 1.  | 0314193 | CN-74-A   | Cover Assembly CP                                    |
| 2.  | 5314010 | CN-1007-A | Cap Screw Repair Kit - 6 per pkg.                    |
| 3.  | 3314015 | CN-1008-A | Regulating Screw Repair Kit                          |
| 4.  | 0314016 | CN-1002-A | Piston with Main Seat - Closet                       |
|     | 0314017 | CN-1003-A | Piston with Main Seat - Urinal                       |
|     | 0314191 | CN-1009-A | Piston with Main Seat - Shower                       |
| 5.  | 5314243 | CN-76     | Cover Gasket - 12 per pkg.                           |
| 6.  | 5301139 | A-31      | Handle Gasket - 48 per pkg.                          |
| 7.  | 5302297 | B-39      | Handle Seal - 12 per pkg.                            |
| 8.  | 0302390 | B-73-A    | Triple Seal Handicap Handle Assembly (ADA Compliant) |
| 9.  | 0301082 | A-6       | Handle Coupling CP                                   |
| 10. | 0302109 | B-7-A     | Socket Assembly CP                                   |
| 11. | 0302389 | B-74-A    | Handicap Handle Grip CP (ADA Compliant)              |
| 12. | 3302306 | B-51-A    | Triple Seal Handle Repair Kit - 1 per pkg.           |
| 13. | 0303351 | C-42-A    | 3" Push Button Assembly CP                           |
| 14. | 3303347 | C-1000-A  | 3" Push Button Replacement Kit                       |
| 15. | 3303396 | C-64-A    | 3" Push Button Repair Kit                            |
| 16. | 5323005 | V-500-A   | ¾" x 9" Vacuum Breaker                               |
|     | 5323006 | V-500-A   | 1¼" x 9" Vacuum Breaker                              |
|     | 5323007 | V-500-A   | 1½" x 9" Vacuum Breaker                              |
| 17. | 3323192 | V-551-A   | Vacuum Breaker Repair Kit                            |
| 18. | 0306125 | F-5-A     | ¾" Spud Coupling CP                                  |
|     | 0306140 | F-5-A     | 1¼" Spud Coupling CP                                 |
|     | 0306146 | F-5-A     | 1½" Spud Coupling CP                                 |
| 19. | 0308676 | H-550     | Stop Coupling CP                                     |
| 20. | 0314289 | NH-551-A  | Adjustable Tailpiece 2-1/16" CP                      |
| 21. | 5308696 | H-553     | O-ring - 24 per pkg.                                 |
| 22. | 0308063 | H-6       | Ground Joint Stop Coupling CP                        |
| 23. | 0314028 | NH-5      | Ground Joint Tailpiece 1-5/8"                        |
| 24. | 0388022 | H-710-A   | 1" Adjustable Tailpiece SD Bak-Chek Control Stop CP  |
|     | 0388025 | H-710-A   | ¾" Adjustable Tailpiece SD Bak-Chek Control Stop CP  |
|     | 0388024 | H-710-AG  | 1" Ground Joint Screwdriver Bak-Chek Control Stop CP |
|     | 0388026 | H-710-AG  | ¾" Ground Joint Screwdriver Bak-Chek Control Stop CP |
| 26. | 3308853 | H-541-A   | Control Stop Repair Kit †                            |
|     | 3308856 | H-543-A   | Control Stop Repair Kit ‡                            |
| 27. | 0308612 | H-622     | Bonnet CP †  |
|     | 0308843 | H-577     | Bonnet CP ‡  |
| 28. | 0308840 | H-573     | Control Stop Cap CP †                                |
|     | 0308848 | H-582     | Control Stop Cap CP ‡                                |
|     | 3308791 | H-1010-A  | Vandal Resistant Stop Cap Assembly †                 |
|     | 3308790 | H-1009-A  | Vandal Resistant Stop Cap Assembly ‡                 |
| 30. | 3308866 | H-574     | Control Stop Cap with Bumper †                       |
| 31. | 3308867 | H-576     | Control Stop Cap with Extended Bumper †              |

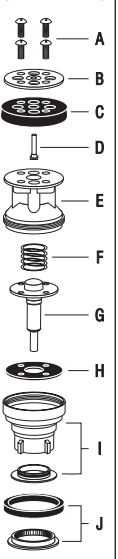
† For use with H-700-A 1" & ¾" and H-600-A 1" Screwdriver Bak-Chek® Control Stops.

‡ For use with H-600-A ¾" Screwdriver Bak-Chek® Control Stops.

### NAVAL PISTON COMPONENTS

- |   |         |           |                                 |
|---|---------|-----------|---------------------------------|
| A | 0314200 | CN-17     | Top Plate Screws - 24 per pkg.  |
| B | 0314082 | CN-15     | Top Plate                       |
|   | 0314179 | CN-15-A   | Top Plate - Shower Valve only   |
| C | 5314188 | CN-68-A   | Single Lip Cup - 12 per pkg.    |
| D | 0314204 | CN-57     | Xpelor                          |
| E | 0314228 | CN-160    | Piston Body                     |
| F | 5328019 | SH-406    | Spring - 12 per pkg.            |
| G | 0314078 | CN-18-A   | Relief Valve                    |
| H | 5314226 | CN-120    | Relief Valve Seat - 12 per pkg. |
| I | 0314240 | CN-123-AC | Guide Assembly - Closet         |
|   | 0314242 | CN-123-AU | Guide Assembly - Urinal         |
|   | 0314189 | CN-66-A   | Guide Assembly - Shower         |
| J | 0314234 | CN-21-A   | Main Seat                       |
|   | 0314223 | CN-121-A  | Main Seat - Shower Valve only   |

### No. 4 PISTON (Exploded View)



**NOTE:** Naval Pistons can be used to replace Pistons in older Crown and Star Flushometers

### REPAIR KITS

Part No.	Model	Description
5314050	CN-1010-A	CROWN/NAVAL VALVE WASHER SET - 6 per pkg. includes: 5, 6, 7, C, H, J, Cap Screw Gasket & Regulating Screw Packing
5314094	CN-1004-A	PISTON REBUILD KIT-CLOSET & URINAL - 6 per pkg. includes: 5, A, B, C, D, H, J, Cap Screw Gasket & Regulating Screw Packing
5314184	CN-1006-A	PISTON REBUILD KIT-SHOWER - 6 per pkg. includes: 5, A, B, C, D, H, J, Cap Screw Gasket & Regulating Screw Packing

The information contained in this document is subject to change without notice.

**SLOAN VALVE COMPANY • 10500 SEYMOUR AVENUE • FRANKLIN PARK, IL 60131**

Phone: 1-800-9-VALVE-9 or 1-847-671-4300 • Fax: 1-800-447-8329 or 1-847-671-4380 • <http://www.sloanvalve.com>