

Sensor Hand Sanitizer Dispenser



Installation & Operating Instruction Manual

Thoroughly read this instruction booklet before operating Sloan dispensers.

Keep this **Installation & Operating Instruction Manual** with other product information for future reference.

Electronic Dispensers

SJS-1450 Sensor Hand Sanitizer Dispenser

Specifications

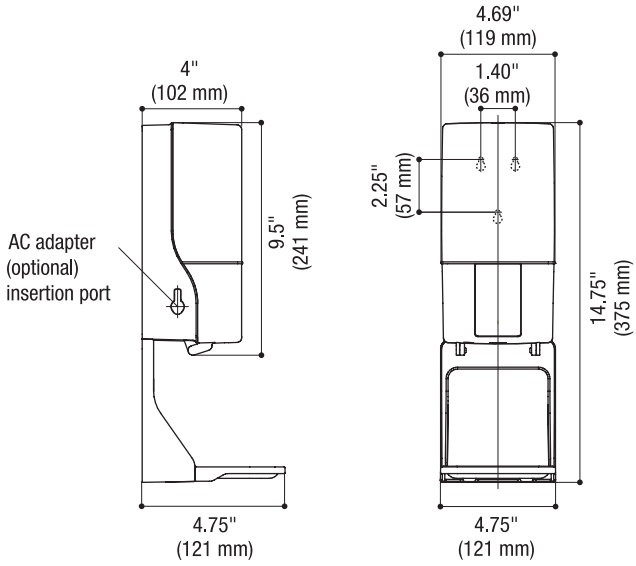
Width	4.75" (121 mm)
Height	14.75" (375 mm)
Depth	5.88" (149 mm)
Power Supply	Four (4) AA batteries
Installation	Wall Mount
Dispenser Rate	Approx. 1.5 mL/spray
Capacity	1 L cartridge

Specifications are subject to change without notice.

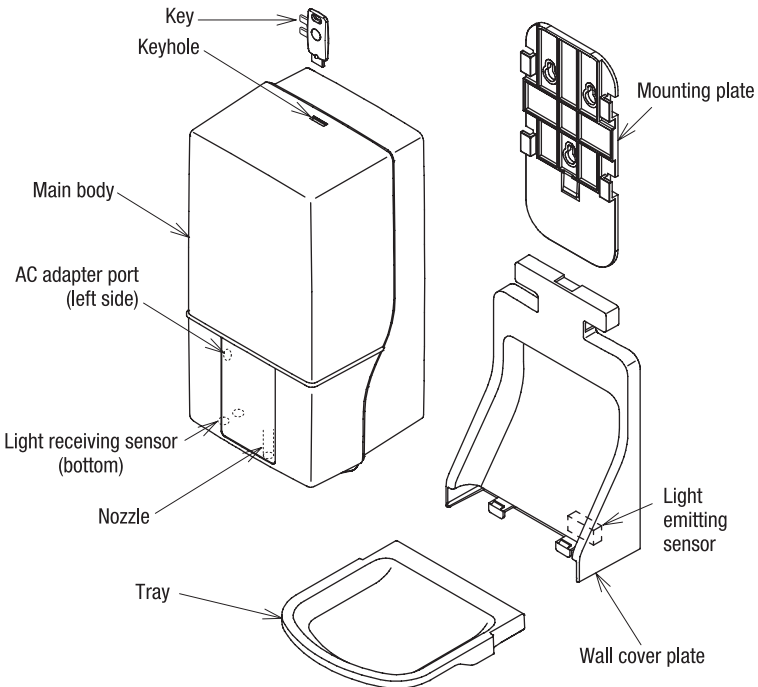
Table of Contents

	Page
Dimensions	2
Installation and Set-up	3-6
Operation	7
Maintenance	7
Troubleshooting	8
Emergency Measures	8
Consumables Chart	8

Dimensions



Parts



INSTALLATION

Tools for installation

- Drill bits
- Electric drill
- Phillips screwdriver
- Tape measure/ruler
- Hammer

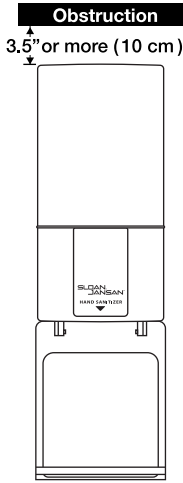
STEP 1

Choosing Installation Placement

The installation wall must be at least 0.25" (6 mm) thick or the wall should be reinforced before installing the dispenser.

Positioning the Dispenser

Clearance above the dispenser top must be 3.5" (10 cm) or more to be able to use the key to open and close the dispenser.



STEP 2

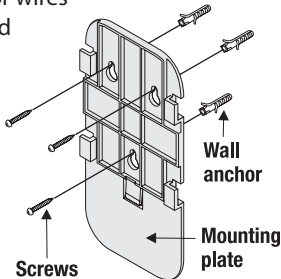
Install the mounting plate

Use the mounting plate holes as a guide for drilling.

When installing onto a concrete wall or drywall, drill 1" to 1.5" deep holes using a 1/4" drill bit. Mount plate with three wall anchors and screws.

For wood walls, drill guide holes using a 1/8" bit and attach plate with three screws.

Before drilling the holes, make sure there are no pipes or wires located behind the wall.

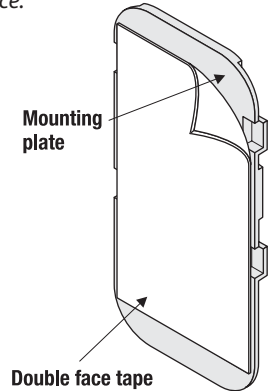


Using double face tape to install the mounting plate

When the installation area does not allow drilling, use double face tape to mount the dispenser by placing the tape on the back of the mounting plate after it has been cleaned of dust, dirt, oils and grease with the alcohol wipe. The wall area must also be cleaned in this manner. Let both the wall and mounting plate dry for at least 10 minutes.

Once tape is secured to the mounting plate, peel the protective paper from the double face tape and press the plate firmly to the wall and hold for 10 seconds. Leave the mounting plate attached to the wall and allow to dry for 24 hours before installing the dispenser.

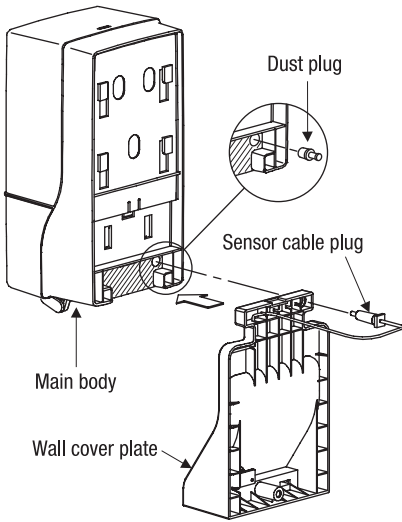
NOTE: Double face tape may not be used to mount the unit onto a wall with a coated surface or wallpaper. Double face tape cannot adhere to a wall with uneven or rough surface.



STEP 3

Attach the main body and the wall cover plate

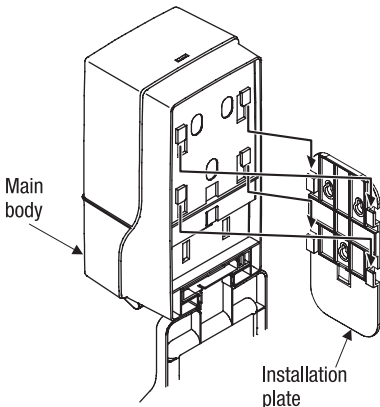
Remove rubber dust plug from sensor cable plug hole and discard. Align the main body to the cover plate as shown below and push into place until a clicking sound is heard. Then, insert the sensor cable plug to the main body.



STEP 4

Install the main body onto the mounting plate

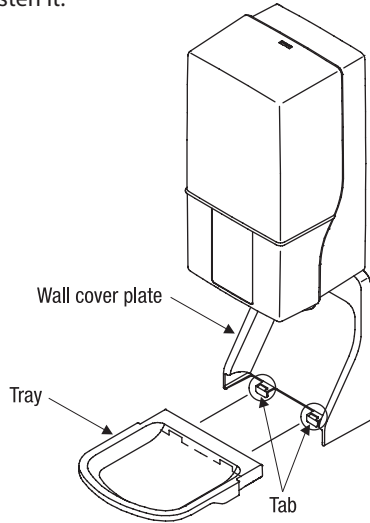
Align the main body to the installation plate as shown in the figure below, and then slide down to install the main body onto the mounting plate.



STEP 5

Attach Tray

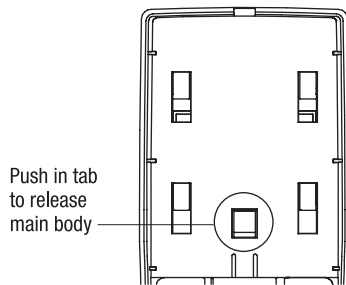
Attach the tray to the wall cover plate as shown in the figure on the (right). Push it in until the tabs of the wall cover plate fasten it.



STEP 6

Removing the Main Body

To remove the main body, push in the tab as shown below using the key or flathead screwdriver and slide main body up .



STEP 7

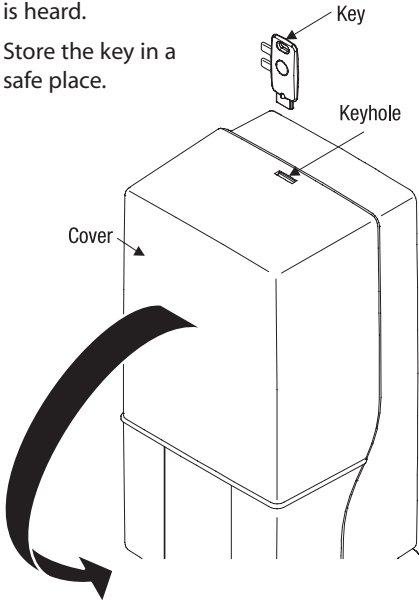
Opening/Closing the Cover

To open, push in the tab of the key into the keyhole at the top of the main body. Hold the cover in one hand, it will open to the front.

Due to its weight, the cover may get damaged if not handled properly.

To close, return the cover to the original position and push in until a clicking sound is heard.

Store the key in a safe place.

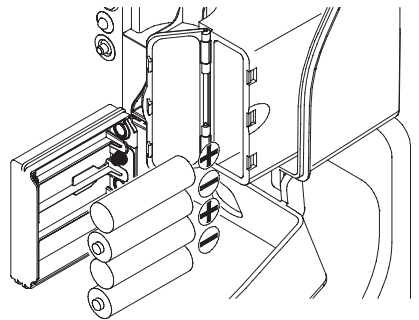
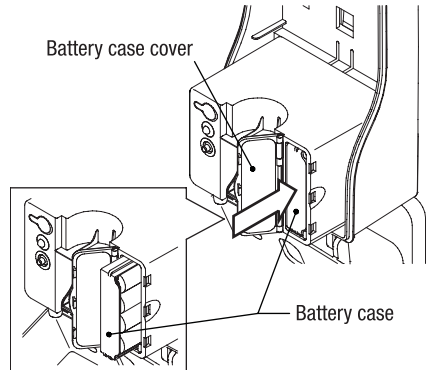


STEP 8

Installing/Replacing Batteries

The supplied alkaline batteries are provided only for checking operation and are not intended for general use. It is recommended that the supplied batteries are replaced with new alkaline batteries (4 AA batteries) immediately.

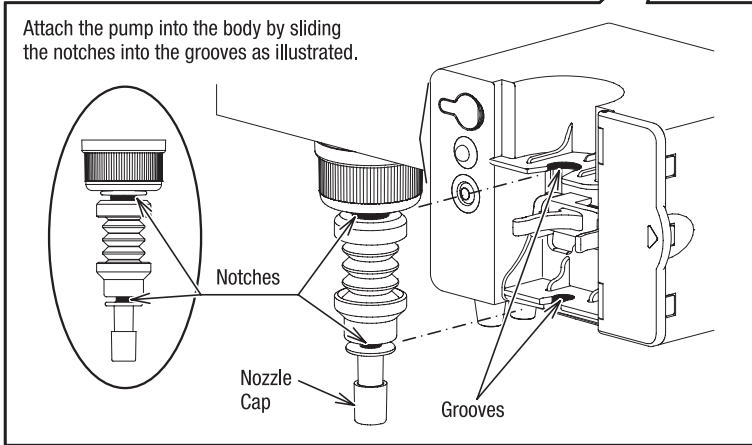
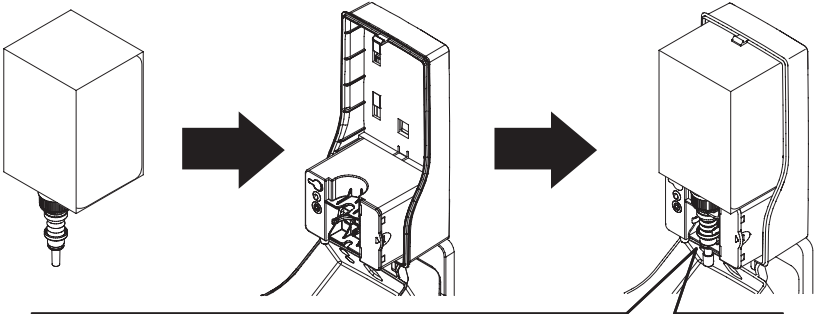
1. Open the battery case cover.
2. Push in battery case. A spring will release the battery case, allowing you to remove it.
3. Place new batteries in the proper orientation (+/-). Battery case holds 4 AA batteries.
4. Push battery case back into place until a "click" sound is heard. Close the battery case door.



STEP 9

Removing/Changing out Sanitizer Cartridge

1. Open the cover.
2. Take out solution from the individual package.
3. Set solution cartridge into the main body as illustrated below.
4. Remove the cap attached to the pump.
5. Close the cover.

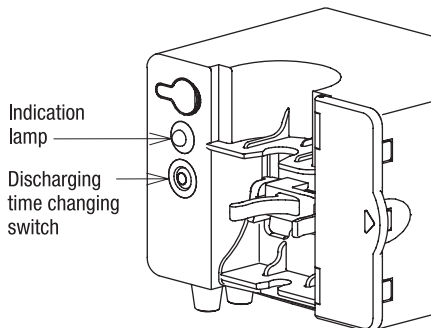


STEP 10

Adjusting Spray

Open the cover and press the discharging time changing switch (see illustration at right). Every time the switch is pressed, it is changed to discharging 1 time and discharging 2 times. The color of the LED indication lamp helps distinguish the setting.

Blue Discharges 1X
Red Discharges 2X



OPERATION

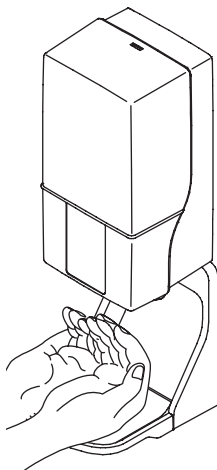
This touch-free dispenser is designed to automatically dispense sanitizer using alkaline batteries (4 AA batteries). The sensor detects a hand placed at the bottom of the main body and the solution is sprayed out (dispensed) from the nozzle.

Place a palm below the nozzle until the sensor detects it and the solution sprays out (dispensed) from the nozzle.

Caution

The sanitizer does not spray out (dispensed) from the nozzle immediately after replenishing the sanitizer. Place a hand below the main body repeatedly until the solution sprays out (dispensed).

Read the "warnings/directions for use" etc., on the sanitizer label prior to using.



MAINTENANCE

Battery life

1. A blue flashing LED indicates that the life of the batteries will end soon.
2. A red flashing LED indicates that the life of the batteries is ending. Replace the alkaline batteries (4 AA batteries).

Unit Cleaning

Wipe with a dry soft cloth. For heavy contamination, use a soft cloth diluted with mild detergent. Wring the soft cloth wet with water and wipe off the detergent. Rub it with a dry cloth. When using a chemical disposable cloth, follow the instructions on its package.

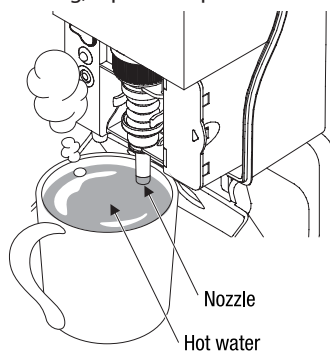
Do not use the following:

Thinner, benzene, alcohol, petroleum, powder soap, polishing powder, detergents other than mild detergent, boiling water, acid, alkalis, scrubber, etc.

Nozzle Cleaning

If the nozzle is clogged, clean the nozzle according to the following procedures.

1. Open the cover.
2. Soak only the nozzle tip in hot water for about 2 minutes. If the clog cannot be removed after soaking, insert a wire 0.5 mm or less in thickness into the spray hole of the nozzle to remove the clogged matter.
Note: Do not damage the parts inside the nozzle when cleaning the spray hole of the nozzle with a wire. Make sure not to get burned when handling hot water.
3. Close the cover.
4. Check the spraying condition. If the spraying result is abnormal after checking, repeat the process.



TROUBLESHOOTING

Before calling for repair, if liquid does not dispense:

1. Check if the liquid has run out
2. Check if nozzle is clogged

If trouble continues, call 877-752-6726.

PRECAUTIONS

Before using the dispenser, thoroughly read the "Precautions" attached to the liquid product.

Immediately clean any spill on the floor to help avoid falling, injuries or other hazards.

EMERGENCY MEASURES

Take action according to the instructions on the cleaner container.

Eye Contact

Flush eyes with water for a minimum of 15 minutes and consult a physician immediately.

Ingestion

Drink water to induce vomiting and consult a physician immediately.

Inhalation

Get fresh air immediately. If condition does not improve, consult a physician immediately.

CONSUMABLES

Product No.	Description	For use with	Order No.
SJS-1451	Sensor Hand Sanitizer	SJS-1450	5700601

SLOAN®

The information contained in this document is subject to change without notice.

Air Delights, Inc.
9974 SW Arctic Dr.
Beaverton, Or. 97005
Phone: 800-440-5556
Fax: 503-643-8224
www.airdelights.com