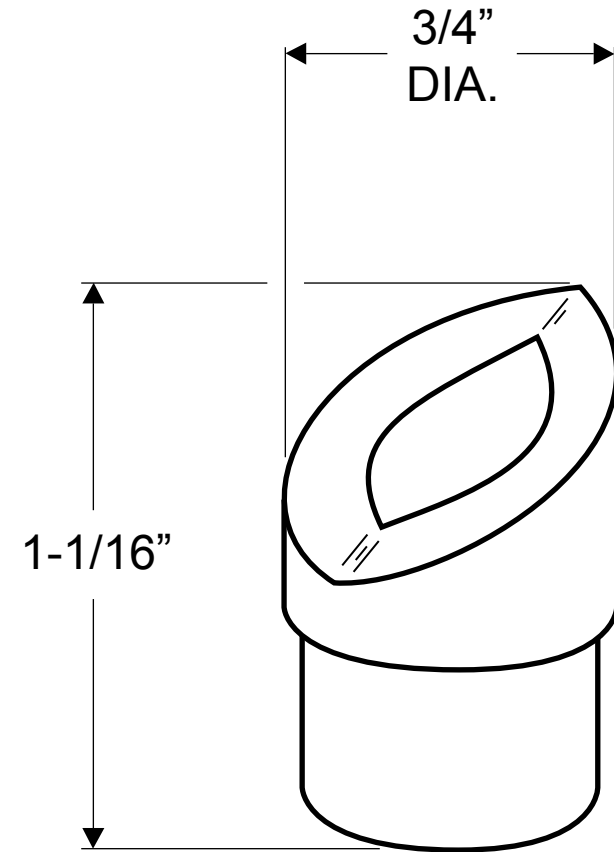


**89830  
(PINTLE)**



**INSTRUCTIONS FOR INSTALLING  
89820, 89830 CAM & PINTLE**

