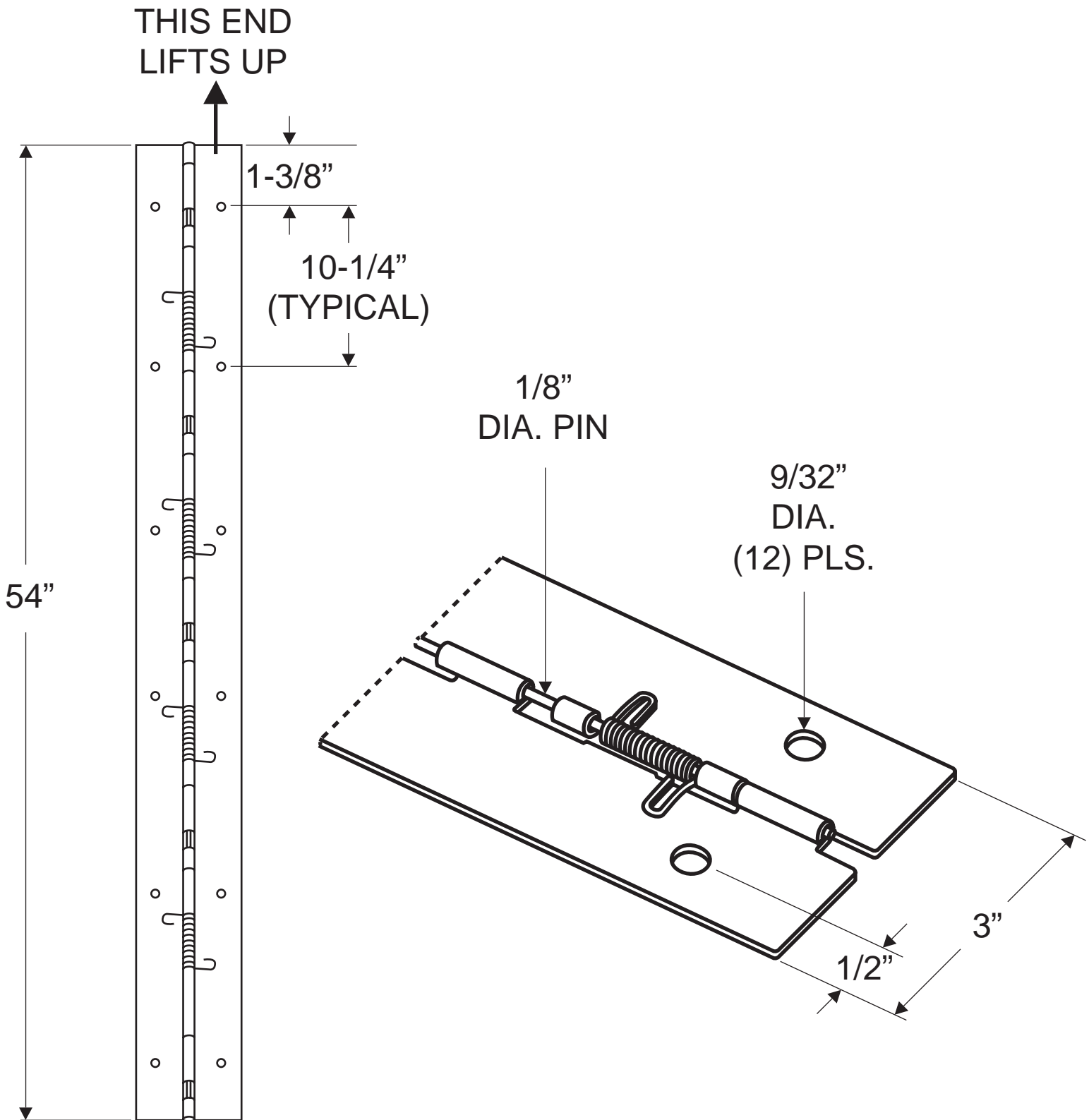


7959
(PIANO HINGE - 54" SPRING CLOSE RH-IN/LH-OUT)



NOTE: 16 GAUGE (.060" THICK STAINLESS)
4 SPRINGS