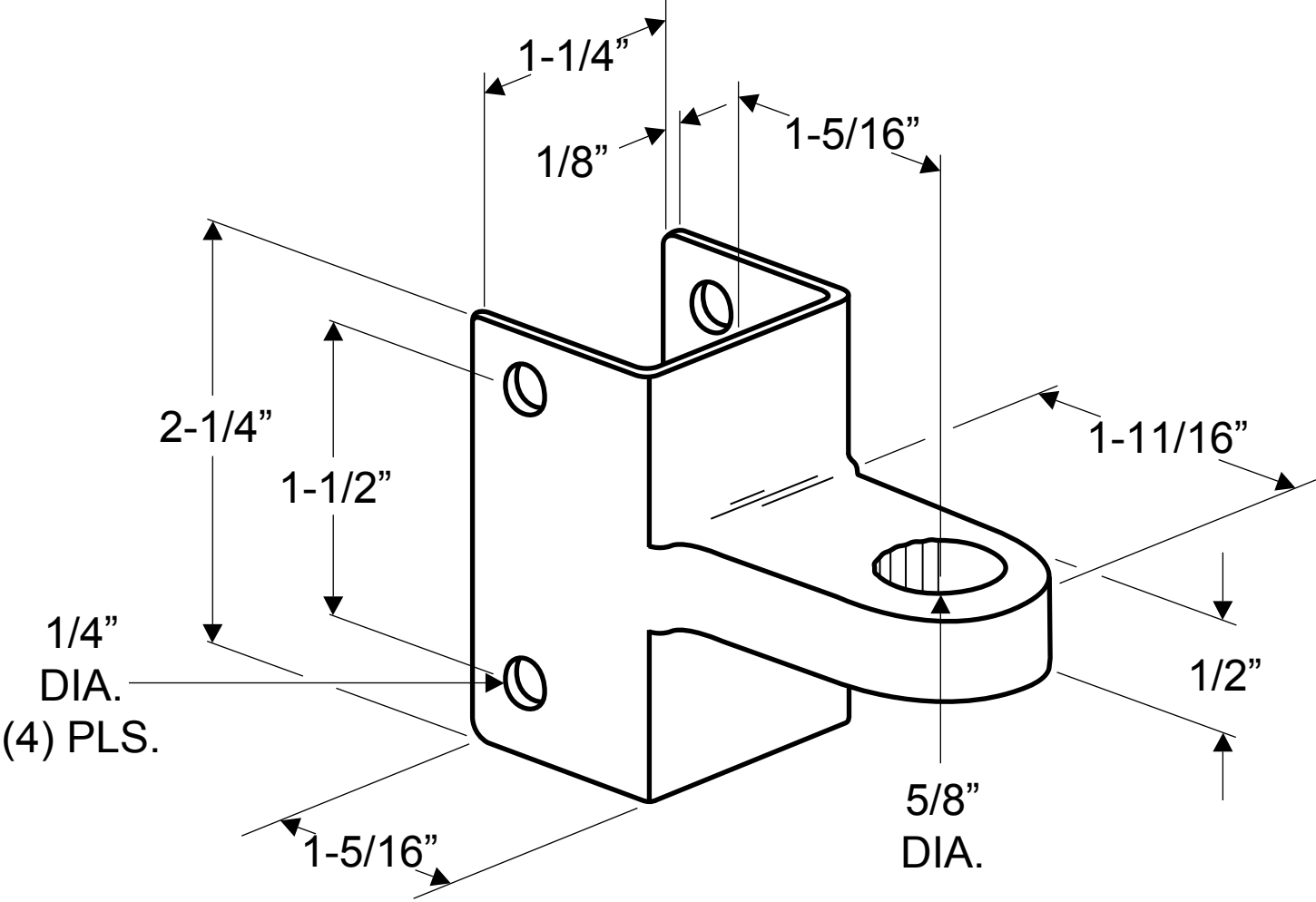


**3540, 3541, 3542  
(PIVOT HINGE - TOP/BOTTOM 1-1/4")**



**INSTRUCTIONS FOR INSTALLING  
3540, 3550 PIVOT HINGES**

